

KUKJE SL15(S) Branson Loader

Parts Catalogue

FIG 001

Deacl

Year/Month

SL15(S)

2020/02

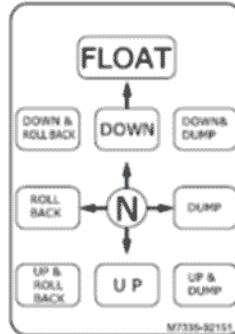
1-1 Part No : M3520-92331

Branson SL15

1-2 Part No : M3520-92341

Branson SL15S

2 Part No : M7335-92151



3 Part No : M7335-92141

CAUTION

1. Move and turn tractor at low speeds.
2. Carry loader arms at a low position during transport.
3. Lower loader arms, stop engine and lock brakes before leaving operator's seat.
4. Do not stand or work under a raised loader.
5. Add recommended wheel ballast or rear weight for stability.
6. Move wheels to widest recommended settings to increase stability.
7. Observe safety recommendations in instruction manual.

M7335-92141

4 Part No : M7335-92181

WARNING

Crushing Hazard

Stay away from under lift arms and bucket!

1. Do not stand or work under a raised loader.
2. Support bucket and lift arms before working under loader.
3. Lower loader to the ground before leaving seat.

M7335-92181

5 Part No : M7335-92171

WARNING

1. Add recommended rear wheel ballast and/or rear counterweight for stability.
2. Move wheels to widest recommended setting to increase stability.
3. Move and turn tractor at low speeds.
4. In transport carry the load low.
5. Lower loader to the ground when parked.
6. Before servicing or adjusting equipment.
 - Lower loader to the ground.
 - Shut off engine.
7. Relieve hydraulic pressure before disconnecting oil lines.
8. Observe safety recommendations in Loader Operations Manual.

M7335-92171

6 Part No : M7335-92191

WARNING

1. Read the operator's manual for complete operating instructions and safety information before operating the loader.
2. Be certain anyone operating the loader is aware of safe operating practices and potential hazards.
3. Operate the loader from the operator's seat only.
4. Do not lift or carry anyone on loader or work from bucket or attachment.
5. Do not walk or work under raised loader or bucket or attachment unless it is securely supported.
6. Avoid loose fit, rocks and holes, which can be dangerous for loader operation or movement.
7. Use extra caution when working on inclines.
8. Avoid overhead powerlines or obstacles when loader is raised.

M7335-92191

7 Part No : M7580-92111

Branson Machinery LLC
Front Loader 2100 Cedartown Hwy
Rome, GA 30161

Model No. _____
Serial No. _____

www.bransontractor.com

M7580-92111

FIG 002

BOOM FRAME

Year/Month

SL15(S)

2020/02

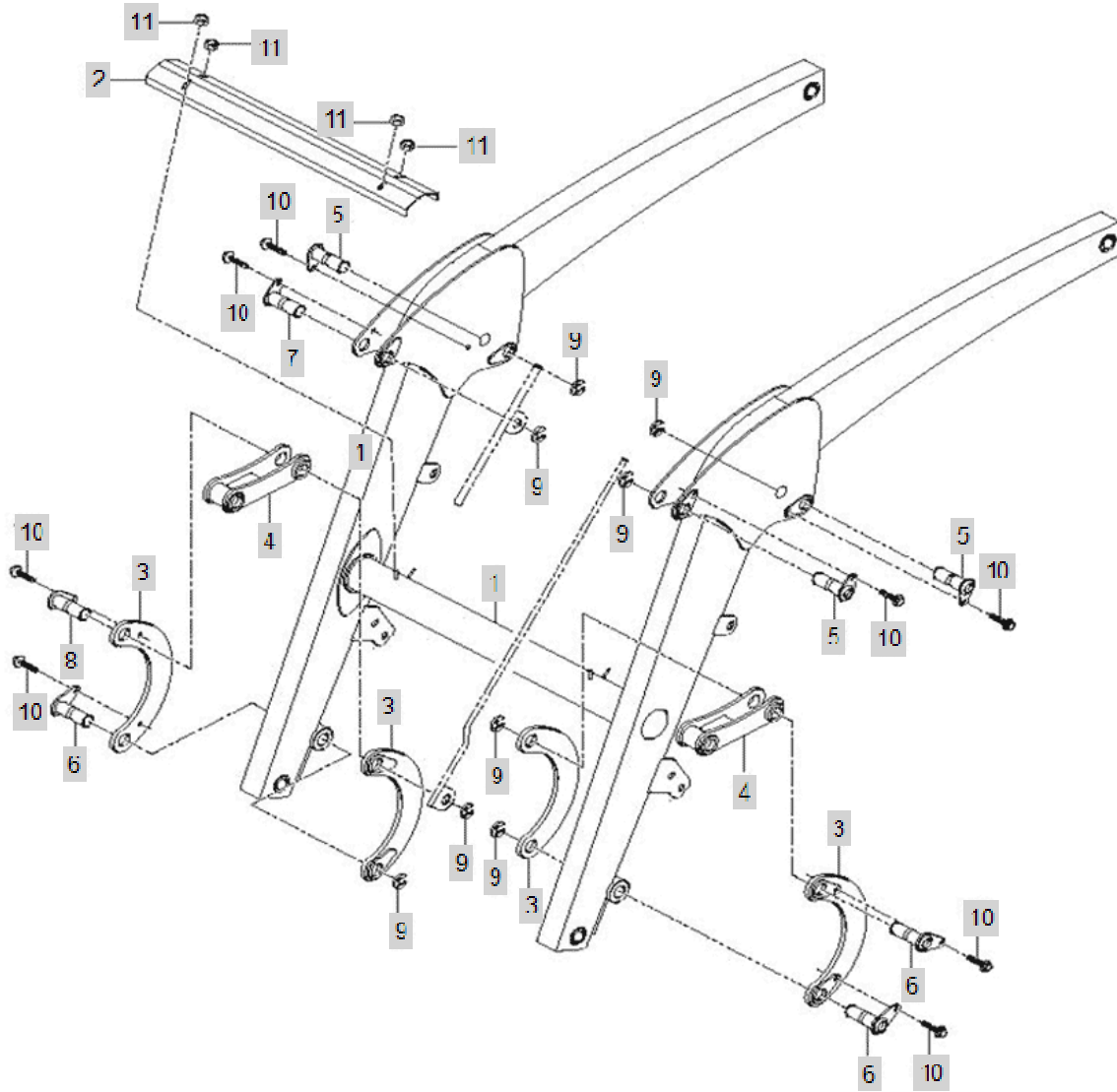


FIG 003

BEARING BOX

Year/Month

SL15(S)

2020/02

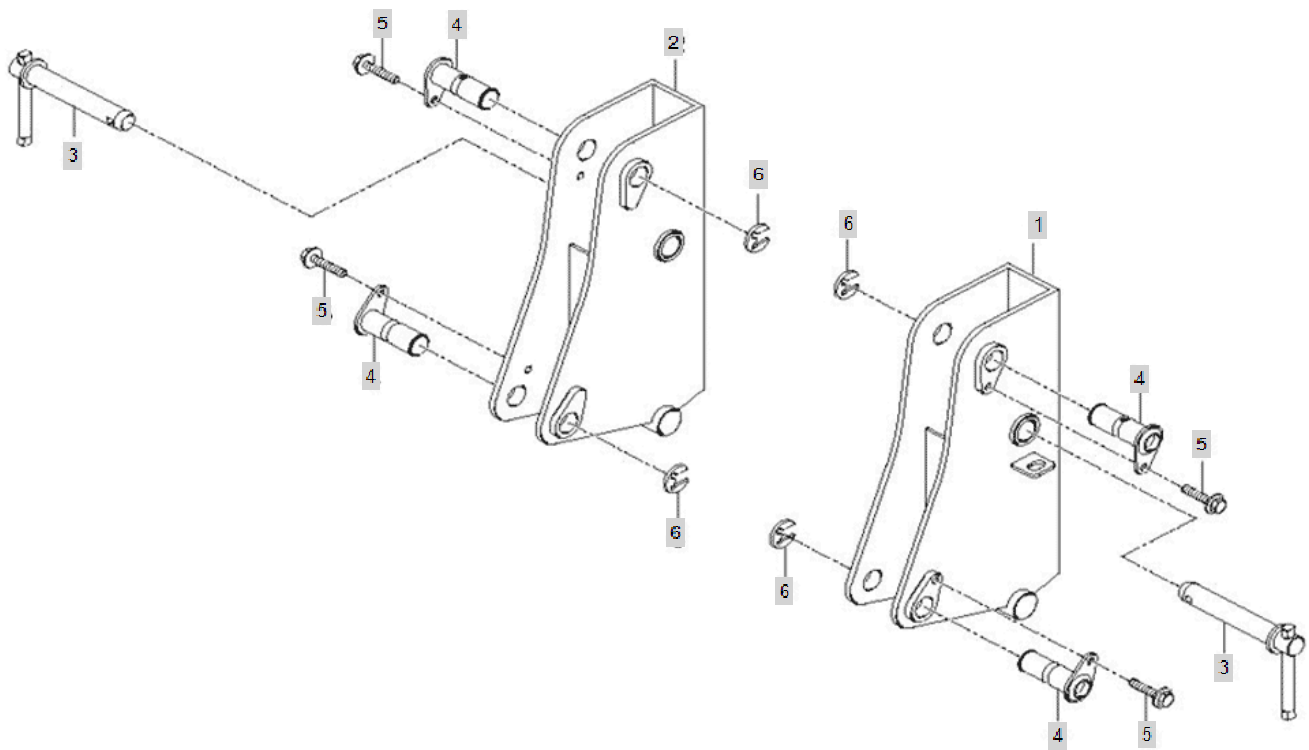


FIG 004-1

MOUNTING BRACKETS

Year/Month

SL15(S)

2020/02

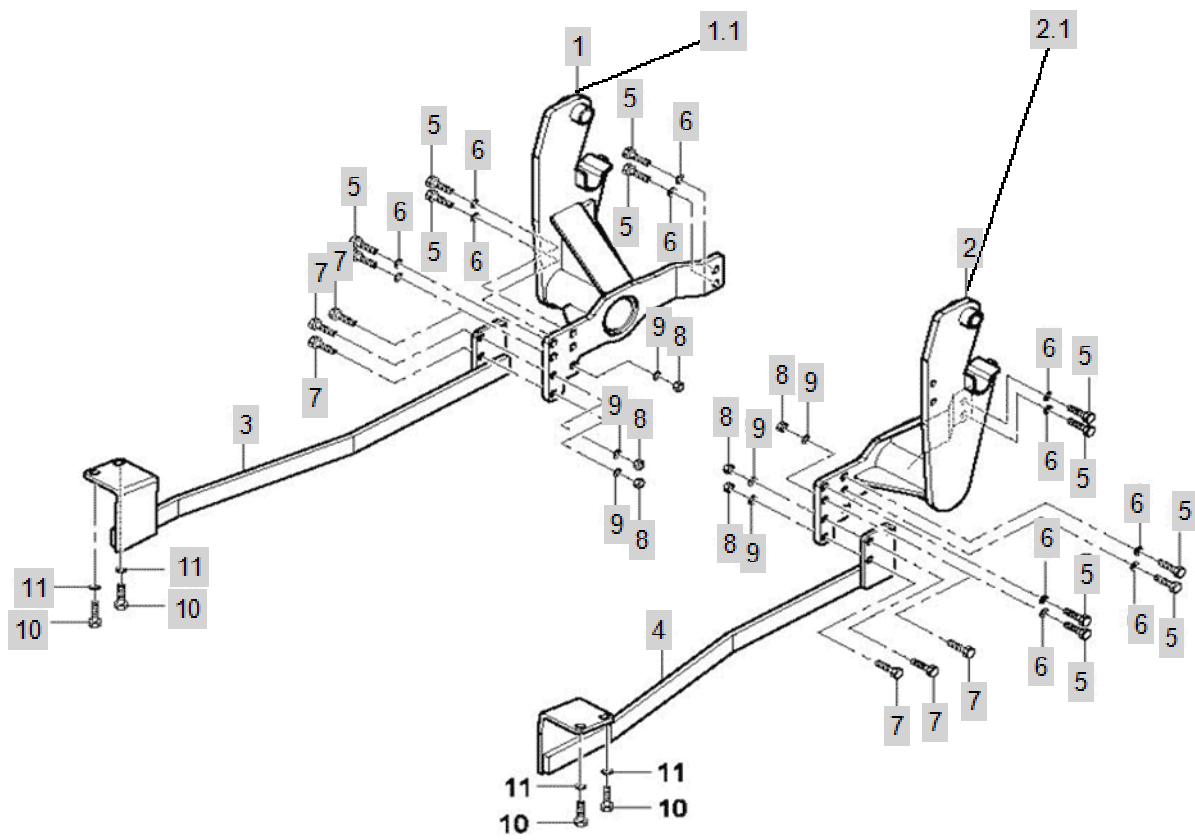


FIG 004-2

GRILLE GUARD ASS'Y

Year/Month

SL15(S)

2020/02

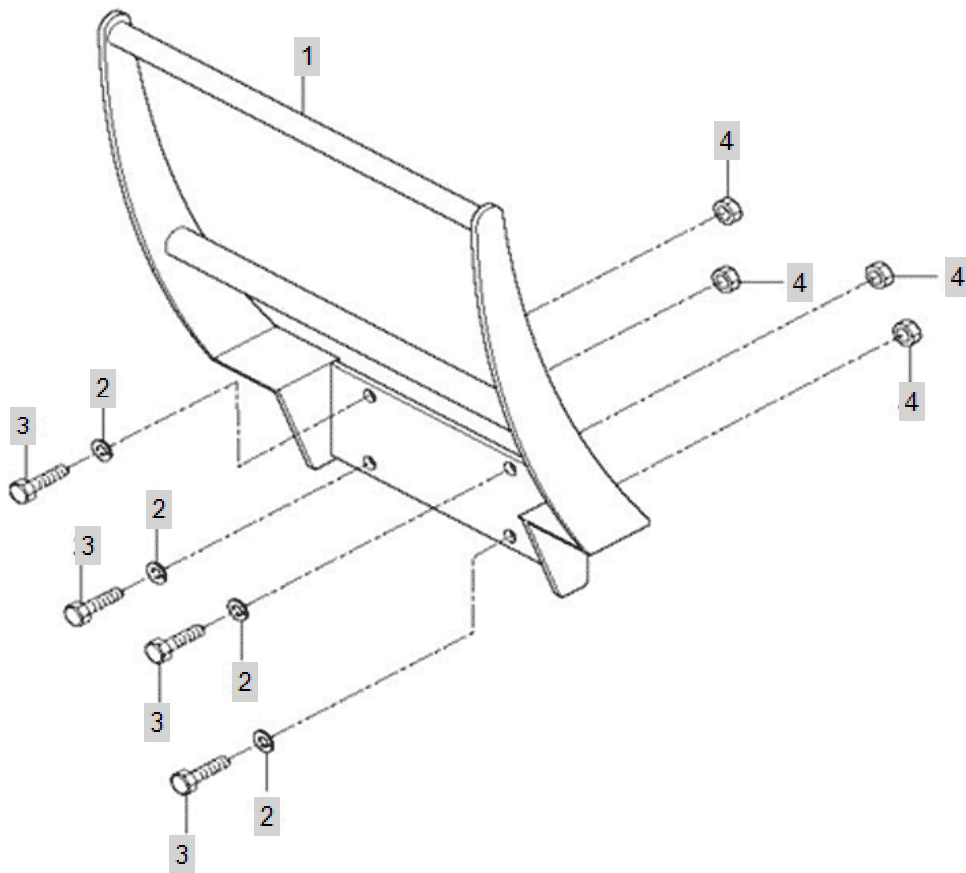


FIG 005

HYDRAULIC CYLINDERS, HOSES AND TUBE LINES

Year/Month

SL15(S)

2020/02

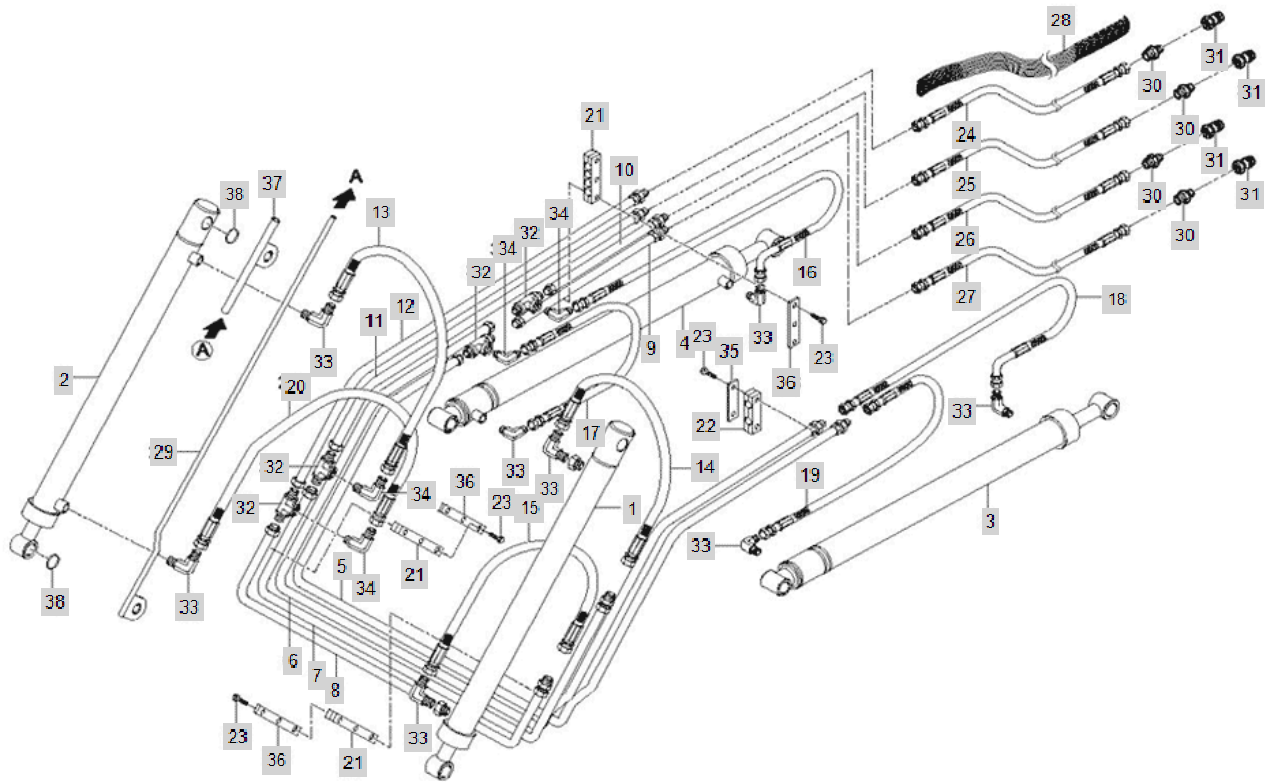


FIG 006

TILT HYDRAULIC CYLINDER

Year/Month

SL15(S)

2020/02

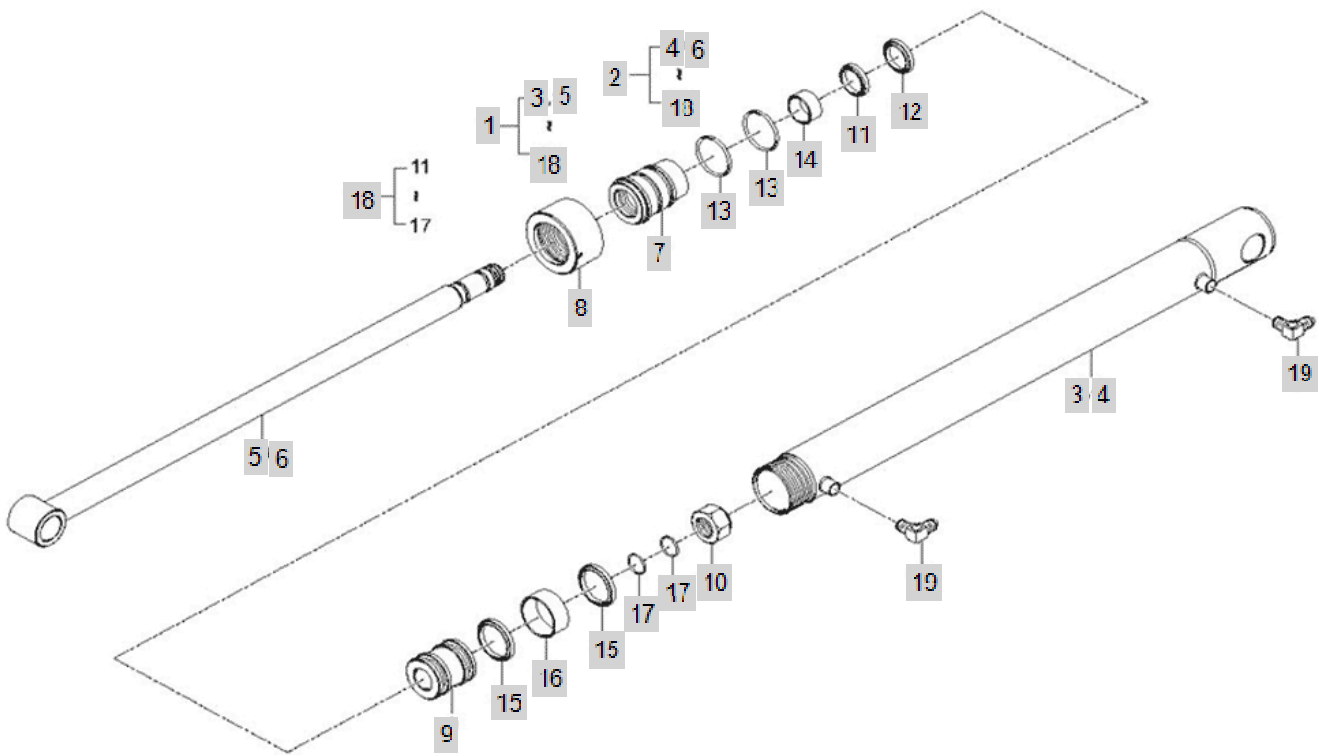


FIG 007

LIFT HYDRAULIC CYLINDER

Year/Month

SL15(S)

2020/02

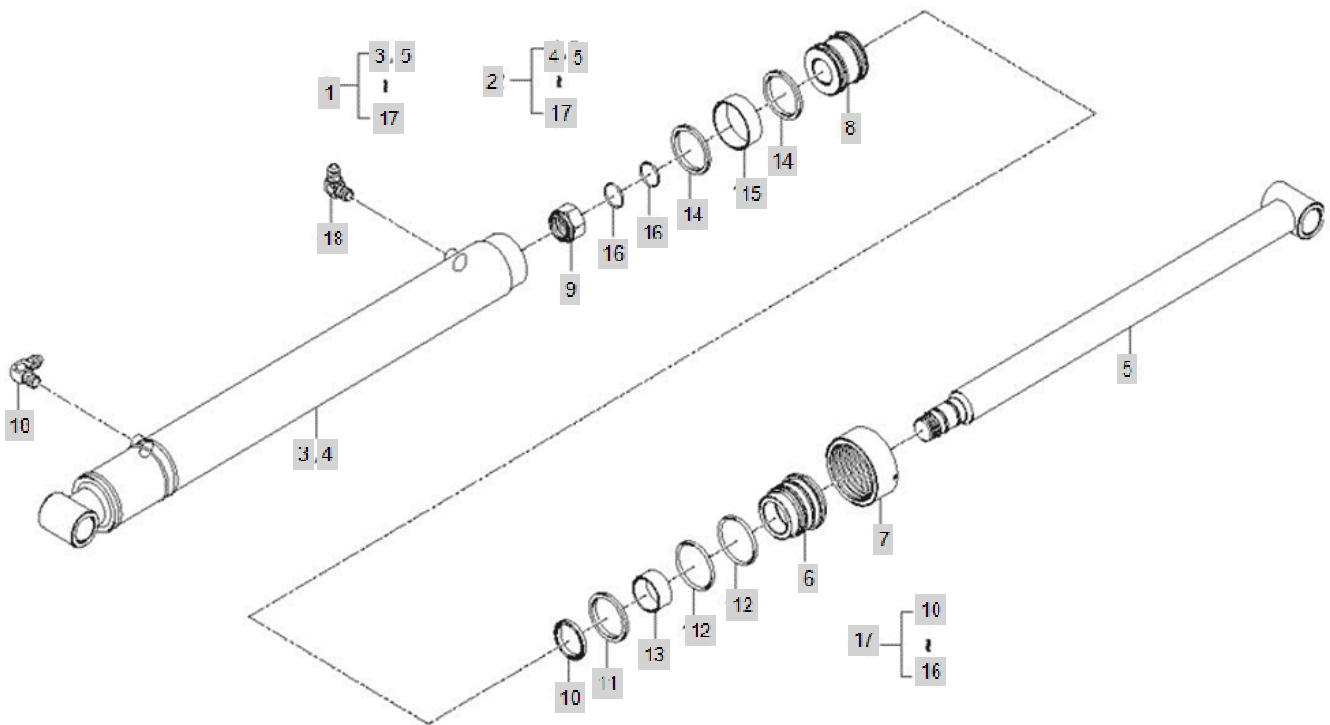


FIG 008

BUCKET

Year/Month

SL15(S)

2020/02

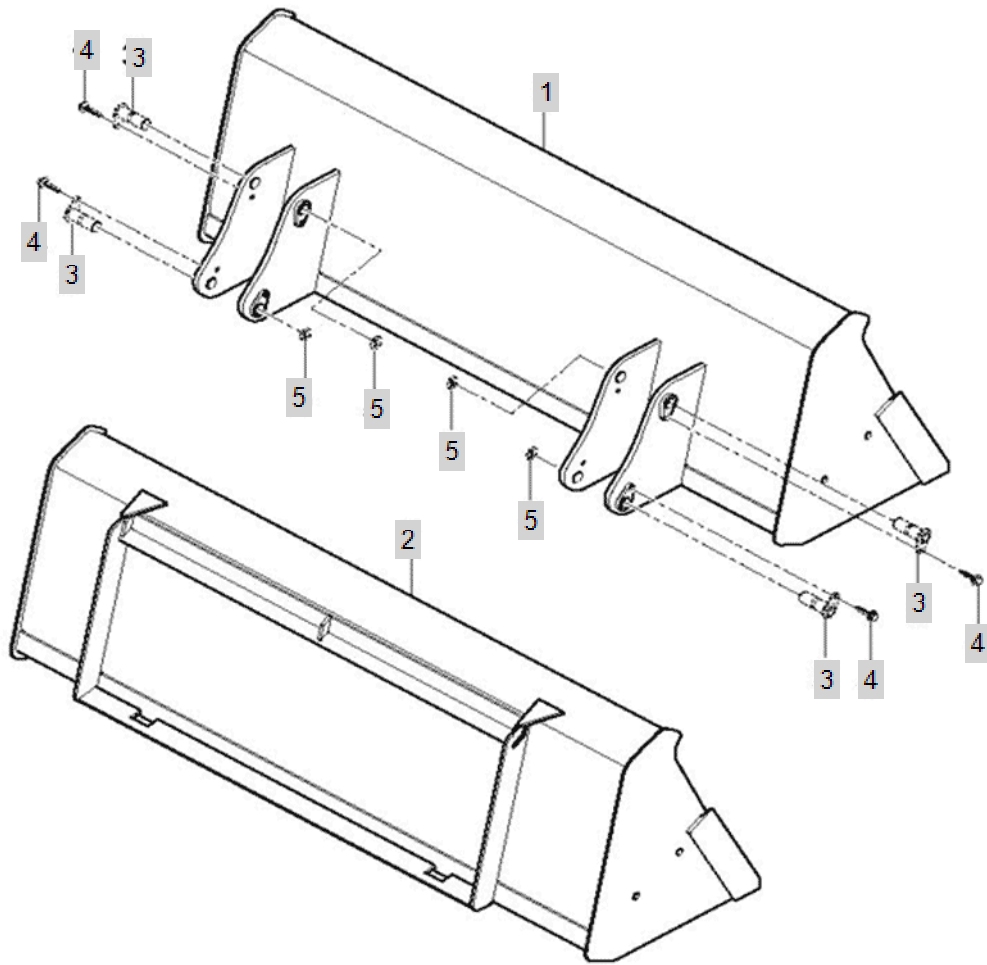


FIG 009-1

TOOL CARRIER

Year/Month

SL15(S)

2020/02

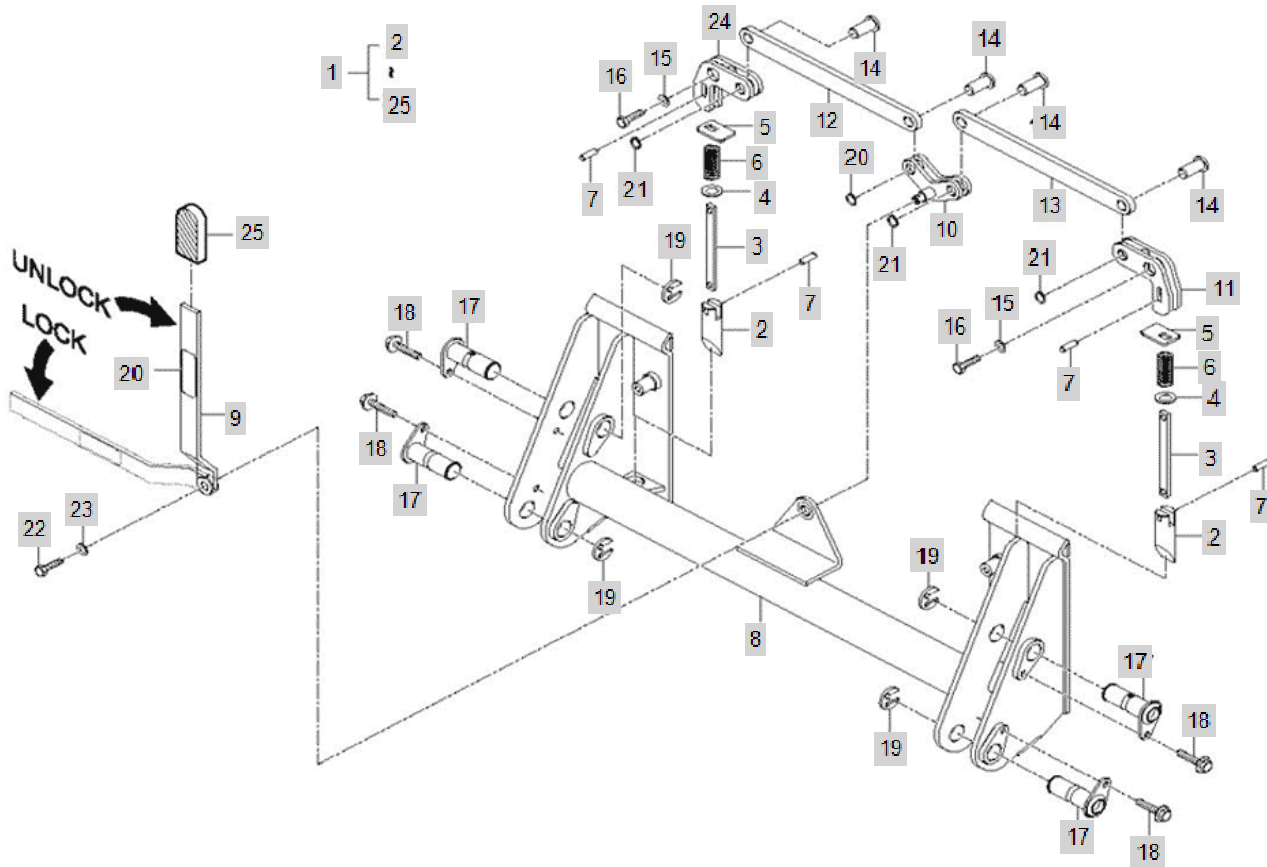


FIG 009-2

TOOL CARRIER

Year/Month

SL15(S)

2020/02

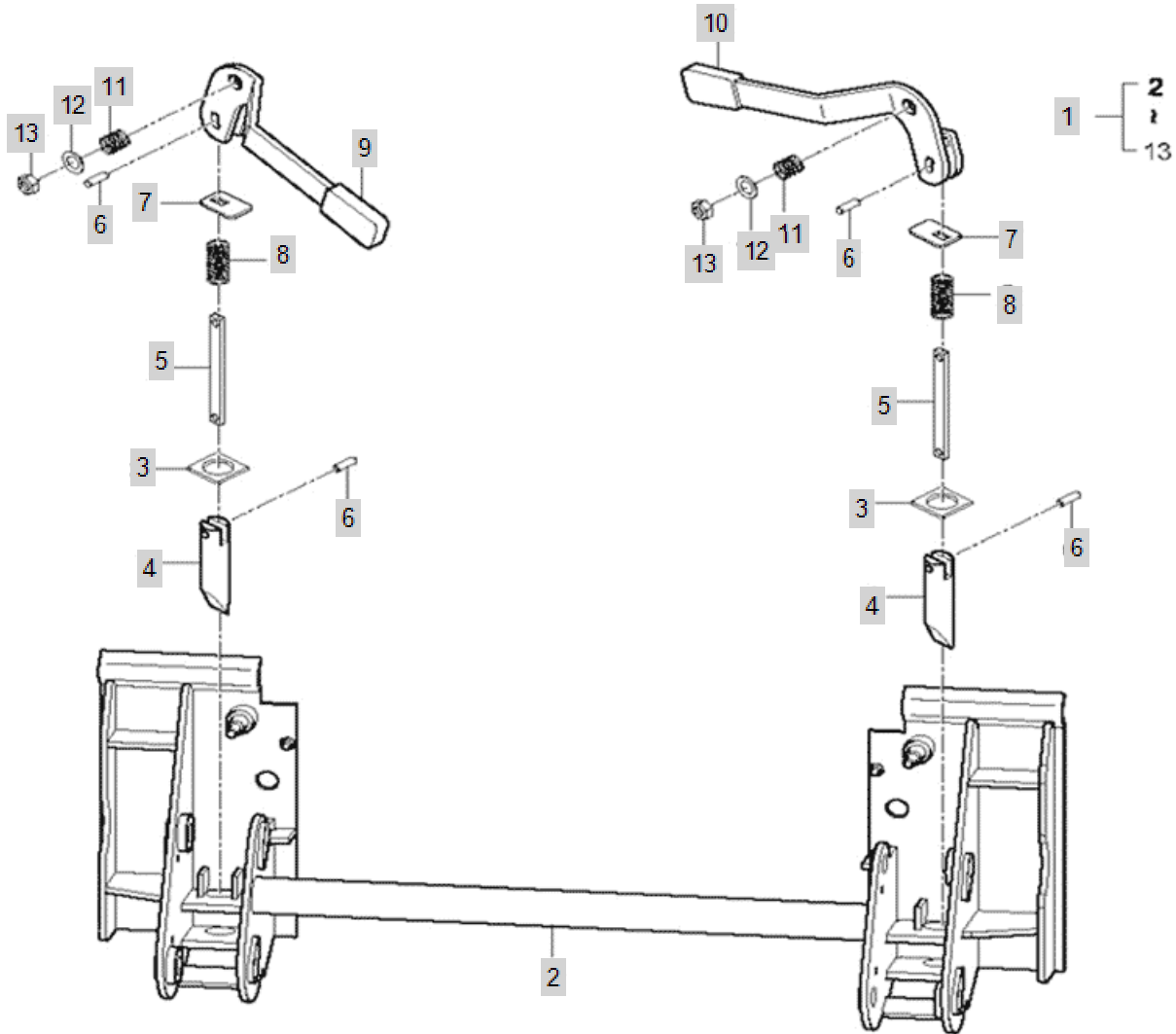


FIG 010

STAND LEG

Year/Month

SL15(S)

2020/02

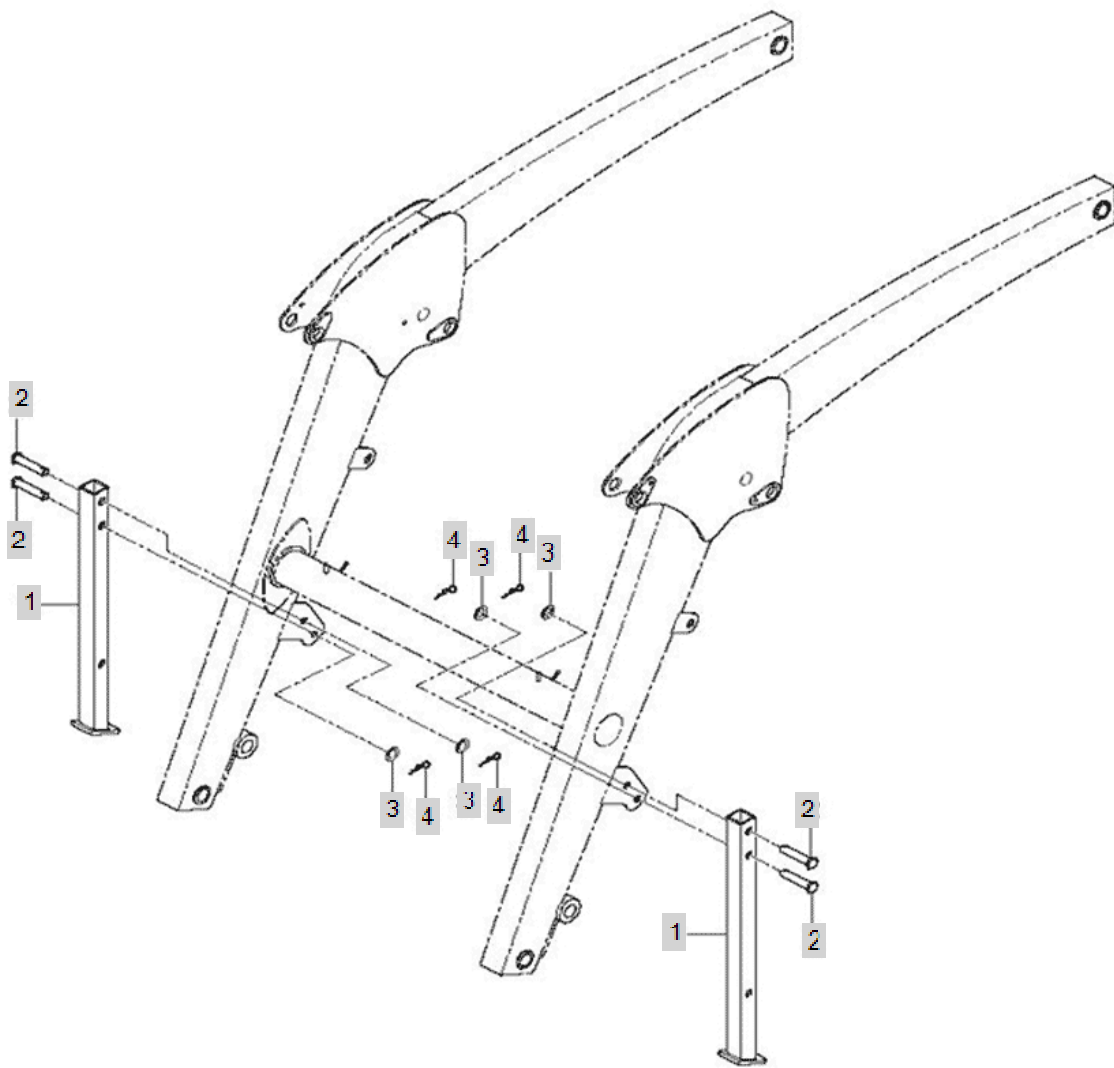


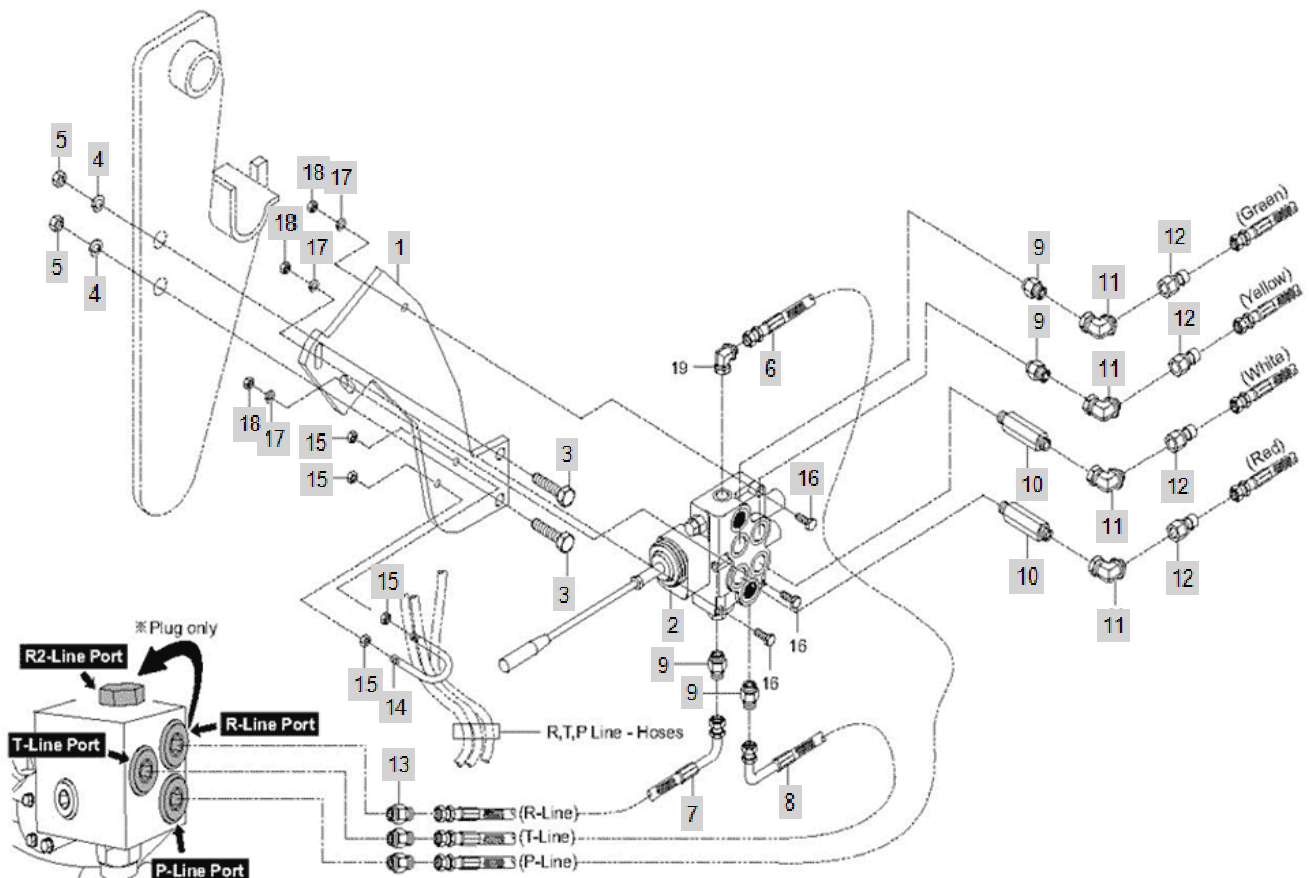
FIG 011

JOYSTICK CONTROL VALVE KIT & SUPPORT-PLATE

Year/Month

SL15(S)

2020/02



[On the Tractor]

FIG 012

JOYSTICK KIT

Year/Month

SL15(S)

2020/02

