

# KUKJE SL00 Branson Loader

## Parts Catalogue



FIG 001

BOOM\_ASSY

Year/Month

SL00

2020/02

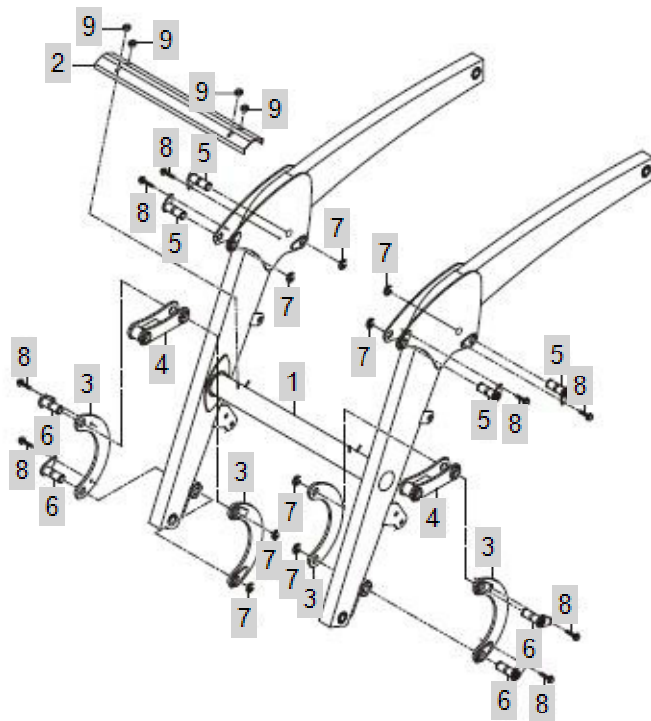




FIG 002

BEARING BOX

Year/Month

SL00

2020/02

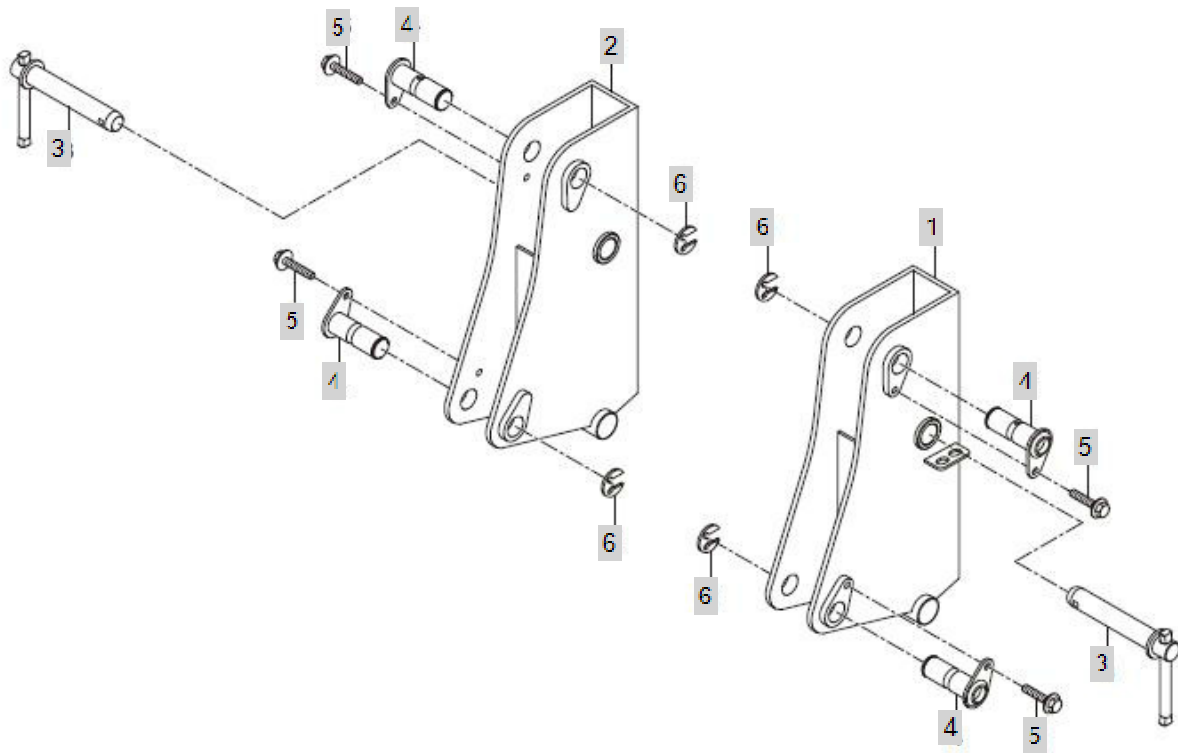




FIG 003

MOUNTING BRACKETS

Year/Month

SL00

2020/02

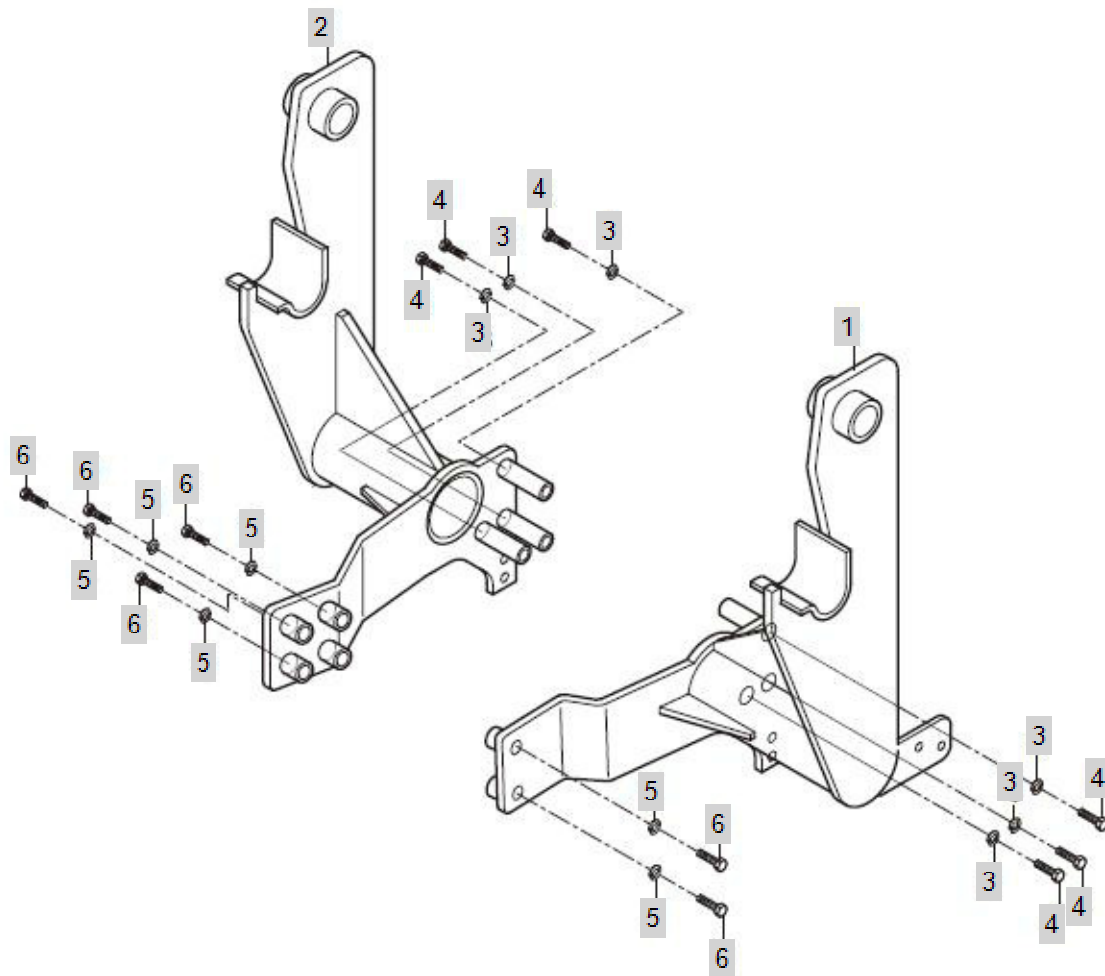






FIG 004

HYDRAULIC CYLINDERS HOSE

Year/Month

SL00

2020/02

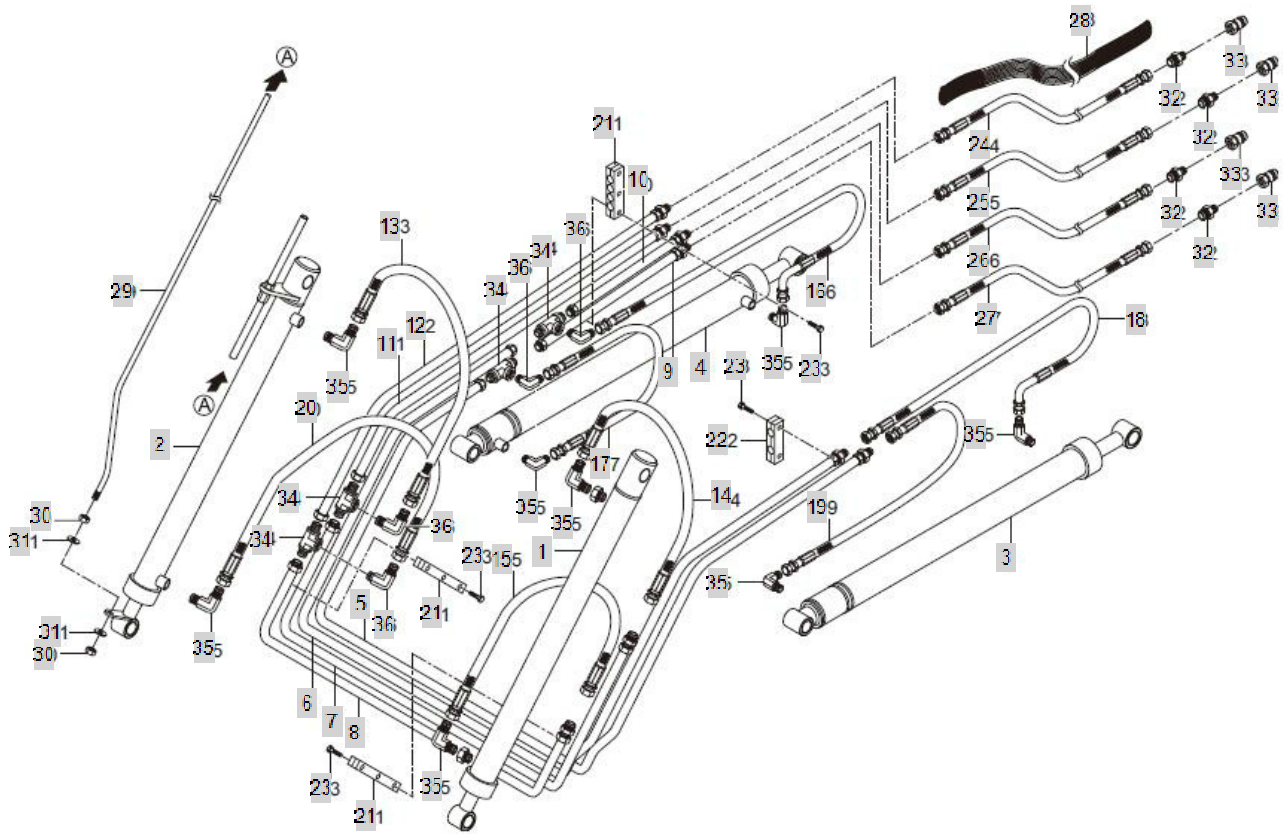




FIG 005

GRILLE GUARD

Year/Month

SL00

2020/02

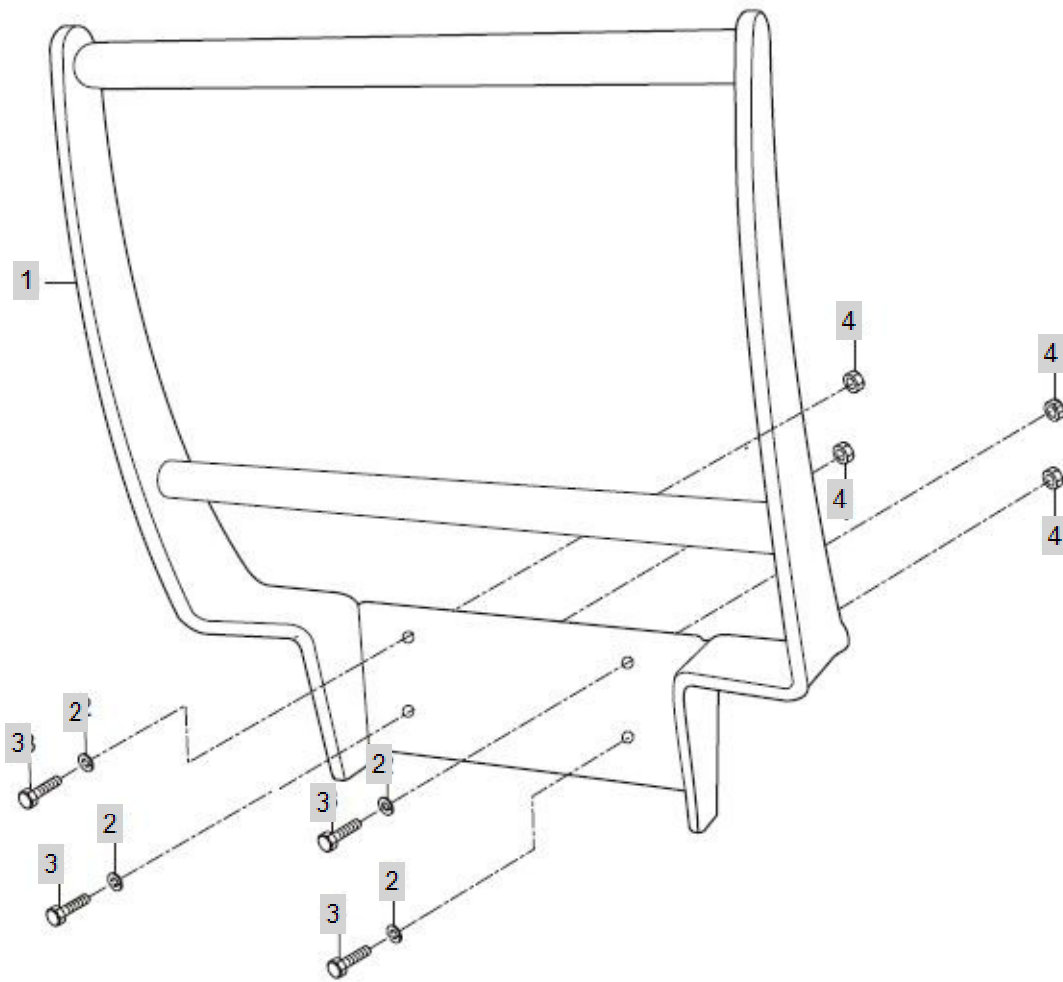




FIG 006

LIFT CYLINDER

Year/Month

SL00

2020/02

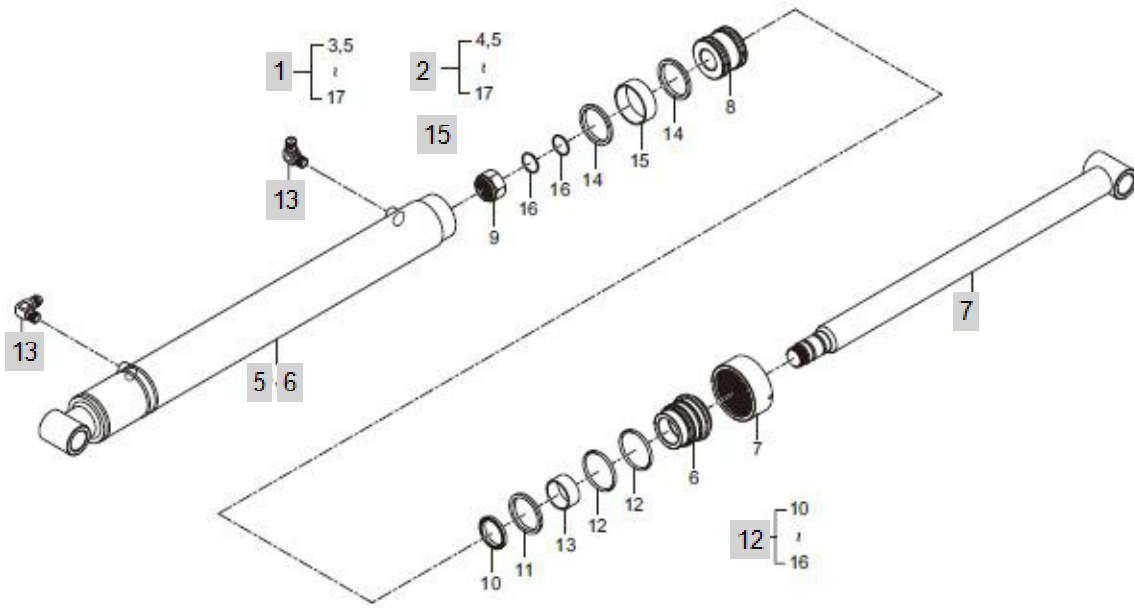




FIG 007

TILT HYDCYLINDER

Year/Month

SL00

2020/02

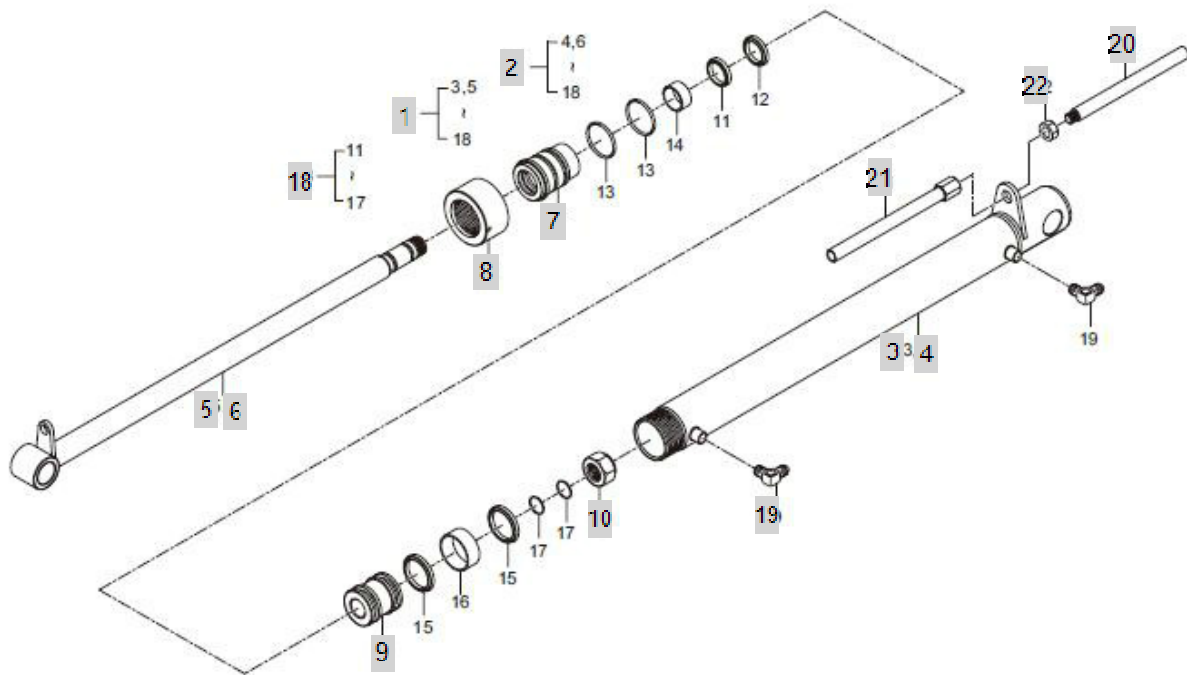






FIG 008

STAND LEG

Year/Month

SL00

2020/02

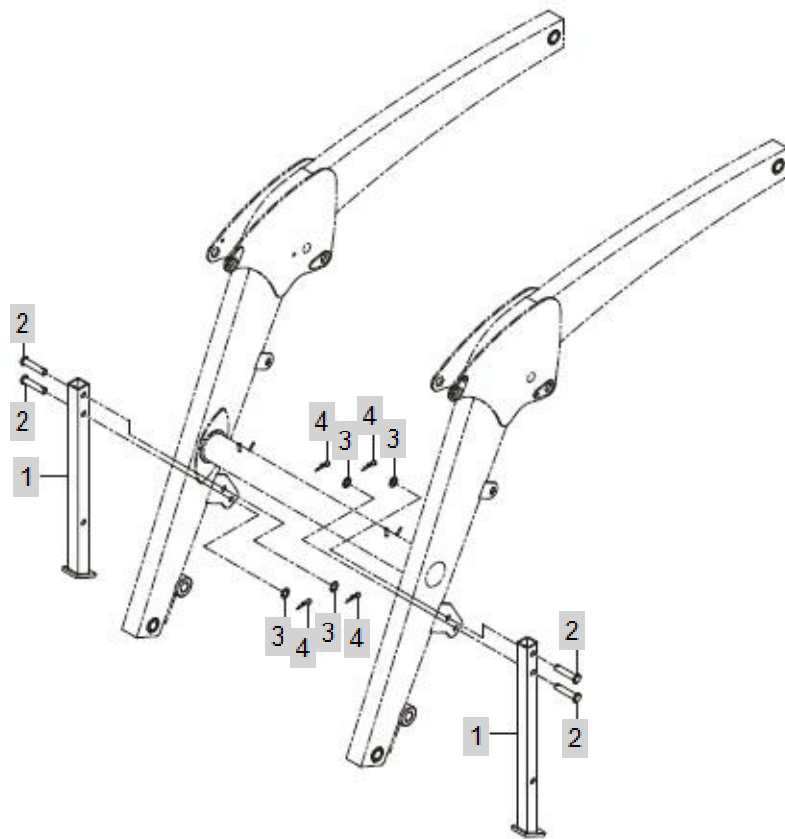




FIG 009

BUCKET

Year/Month

SL00

2020/02

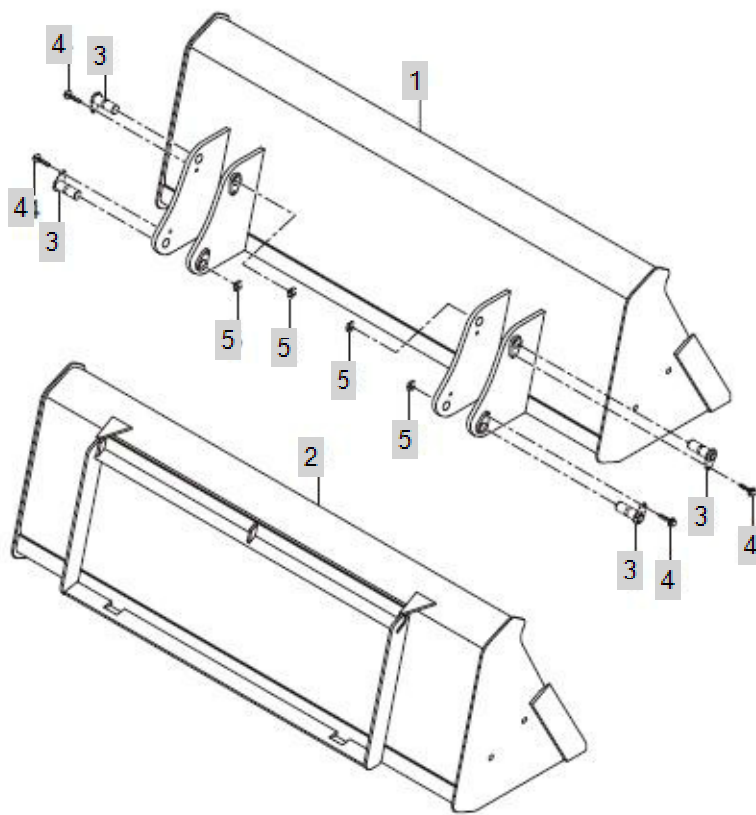




FIG 010

TOOLCARRIER OPTION

Year/Month

SL00

2020/02

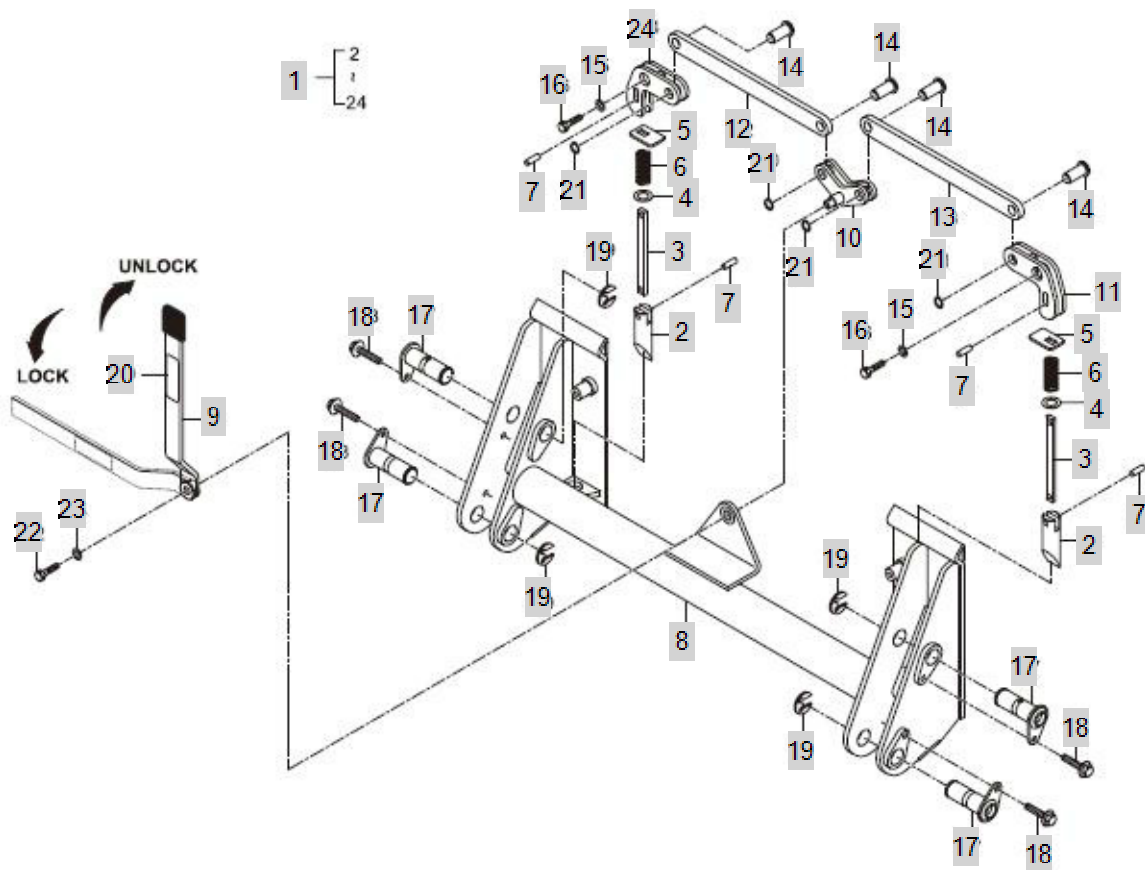




FIG 011

JOYSTICK HOSE

Year/Month

SL00

2020/02

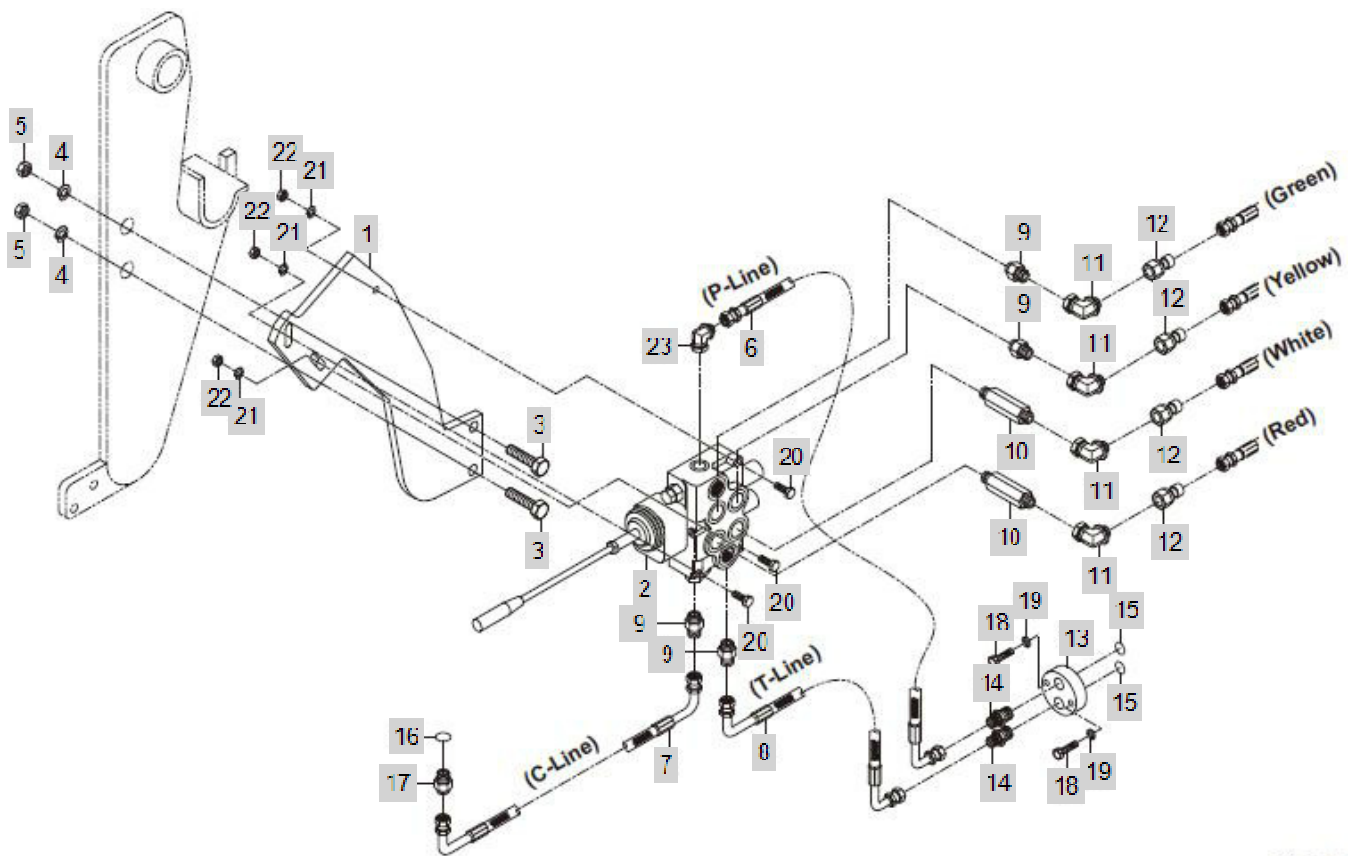






FIG 012

JOYSTICK KIT

Year/Month

SL00

2020/02

