

KUKJE BM60 Ameriquip Branson ETC

Parts Catalogue



BRANSON TRACTOR

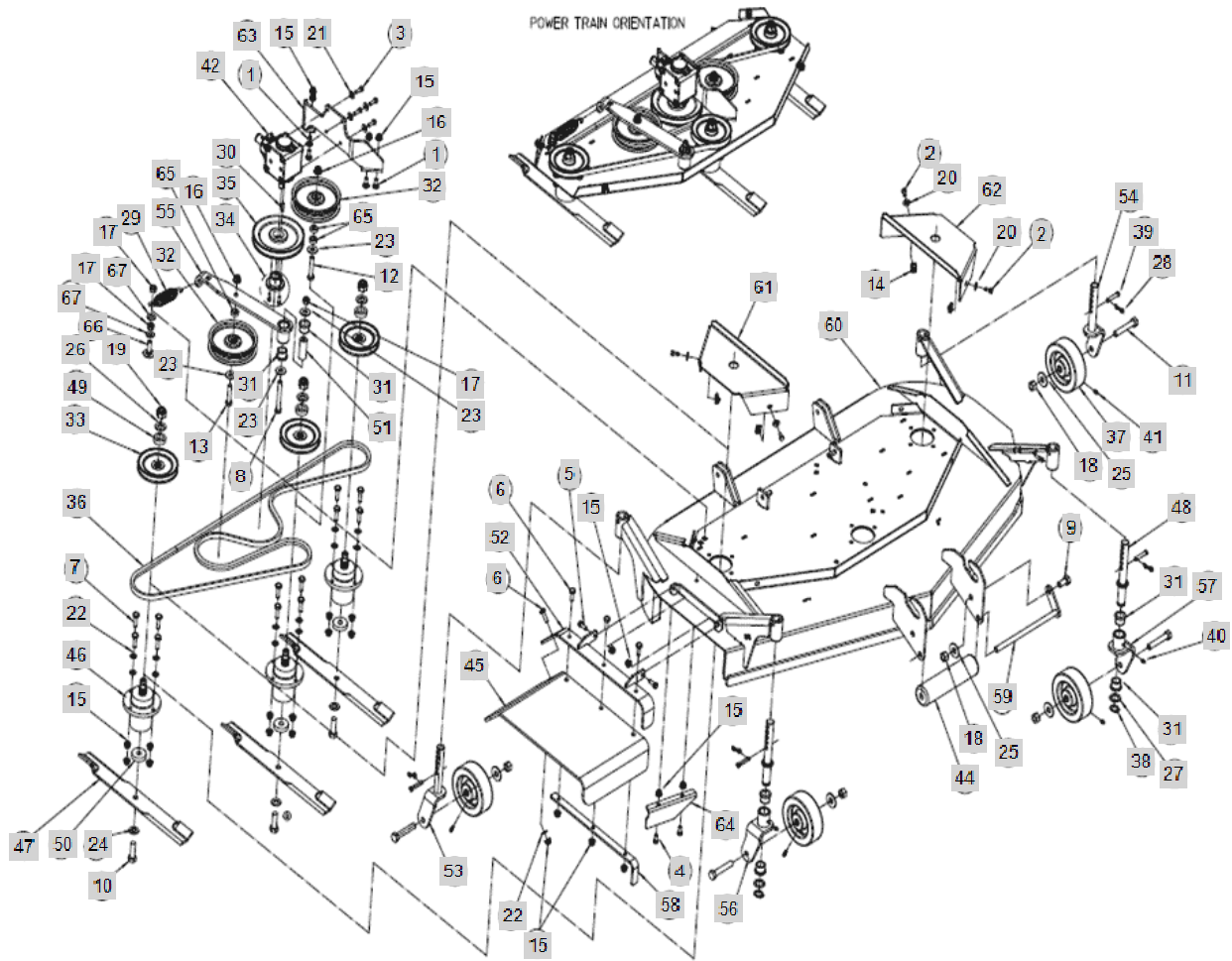
FIG A001

BM60 Ameriquip

MB60A MID MOUNT MOWER (SERIAL NUMBER 1001 AND LATER)

Year/Month

2020/02



| FIG A001 BM60 Ameriquip | | MB60A MID MOUNT MOWER (SERIAL NUMBER 1001 AND LATER) | | Year/Month |
|----------------------------|-------------|---|----------|------------|
| | | | | 2020/02 |
| KeyNo. | Part Number | Part Name | Quantity | Other |
| 1 | 6608 | CARRIAGE BOLT | 4 | |
| 2 | 6787 | Bolt | 4 | |
| 3 | 6792 | 5/16-18 x 1 HEX HEAD CAP SCREW | 4 | |
| 4 | 6829 | | 2 | |
| 5 | 6845 | | 2 | |
| 6 | 6855 | | 4 | |
| 7 | 6865 | | 12 | |
| 8 | 7073 | | 1 | |
| 9 | 7118 | | 1 | |
| 10 | 7141 | Bolt | 3 | |
| 11 | 7170 | Bit Hex | 4 | |
| 12 | 7349 | | 1 | |
| 13 | 7356 | | 1 | |
| 14 | 7432 | | 4 | |
| 15 | 7457 | | 24 | |
| 16 | 7492 | | 2 | |
| 17 | 7508 | NUT, LOCK | 3 | |
| 18 | 7532 | Nut Lok | 5 | |
| 19 | 7577 | | 3 | |
| 20 | 8151 | Washer Flat | 4 | |
| 21 | 8152 | Washer B06F | 4 | |
| 22 | 8158 | 3/8" Flat Washer | 13 | |
| 23 | 8171 | Washer M12 | 4 | |
| 24 | 8178 | Flat Washer | 3 | |
| 25 | 8180 | Washer Flat | 5 | |
| 26 | 8192 | Flat Washer | 3 | |
| 27 | 8283 | Washer Spacer | 2 | |
| 28 | 8548 | Clip, Bow Tie Pin | 4 | |
| 29 | 8751 | SPRING, SWIVEL END | 1 | |
| 30 | 8920 | | 1 | |
| 31 | 11969 | Bearing, Plain | 6 | |
| 32 | 12295 | Pulley Idler | 2 | |
| 33 | 12747 | PULLEY, SPINDLE | 3 | |
| 34 | 12749 | | 1 | |
| 35 | 12750 | | 1 | |
| 36 | 12767 | BELT | 1 | |
| 37 | 12961 | Wheel, Anti-scalp | 4 | |
| 38 | 13251 | Retain Ring | 2 | |
| 39 | 13459 | Pin, clevis | 4 | |
| 40 | 14505 | SUB TO -> GFL1 | 2 | |
| 41 | 14512 | | 4 | |
| 42 | 15245 | Gearbox | 1 | |
| 44 | 50004 | ROLLER ASSY | 1 | |
| 45 | 50005 | | 1 | |
| 46 | 50006 | Spindle, Blade | 3 | |

FIG A002

BM60 Ameriquip

DRIVESHAFT SERVICE PARTS AND ASSEMBLY

Year/Month

2020/02

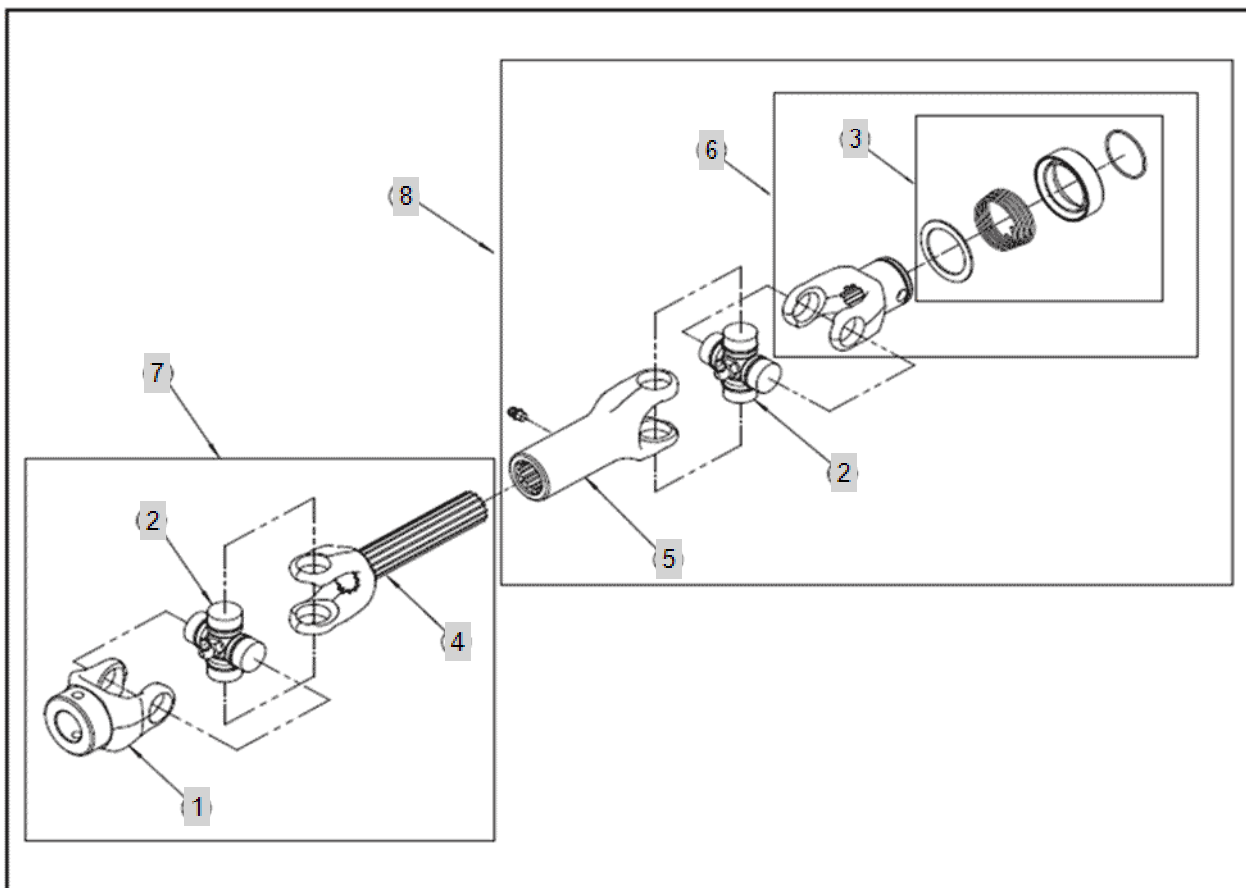


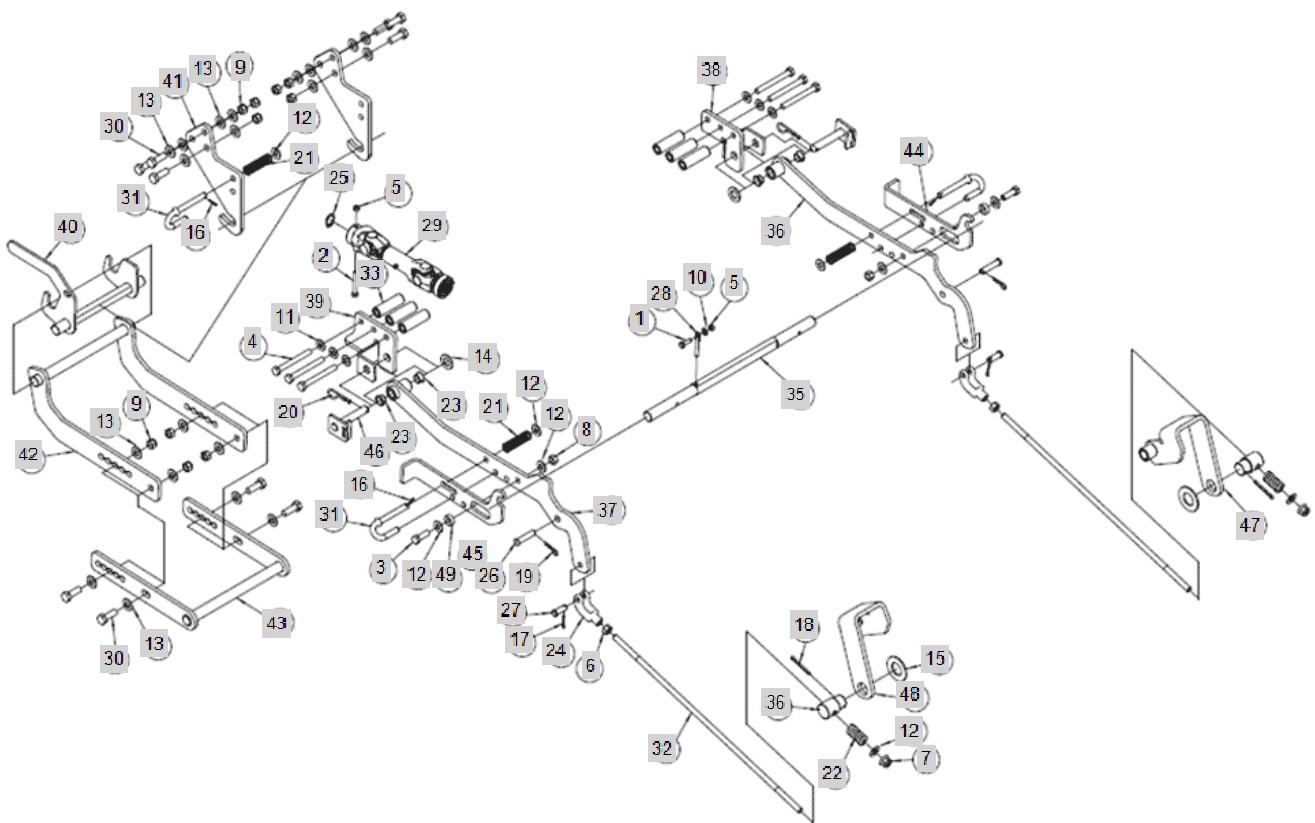
FIG A003

60" MOWER MOUNTING KIT (OPTION A)(WITH OR WITHOUT LOADER)

Year/Month

BM60 Ameriquip

2020/02



| FIG A003 BM60 Ameriquip | | 60" MOWER MOUNTING KIT (OPTION A)(WITH OR WITHOUT LOADER) | | | Year/Month |
|----------------------------|-------------|---|----------|-------|------------|
| | | | | | 2020/02 |
| KeyNo. | Part Number | Part Name | Quantity | Other | |
| 1 | 6792 | 5/16-18 x 1 HEX HEAD CAP SCREW | 1 | | |
| 2 | 6813 | Hex Bolt, Shear | 1 | | |
| 3 | 7028 | | 2 | | |
| 4 | 7332 | | 6 | | |
| 5 | 7433 | Hex Nut | 2 | | |
| 6 | 7511 | Nut, 1/2 NF | 2 | | |
| 7 | 7514 | LOCKNUT HEX FLANGE | 2 | | |
| 8 | 7515 | | 2 | | |
| 9 | 7519 | | 10 | | |
| 10 | 8152 | Washer B06F | 1 | | |
| 11 | 8164 | FLAT WASHER, 1/2 SAE HARDENED | 6 | | |
| 12 | 8173 | WASHER 1/2" | 9 | | |
| 13 | 8176 | | 20 | | |
| 14 | 8192 | Flat Washer | 2 | | |
| 15 | 8206 | | 2 | | |
| 16 | 8554 | Cotter Pin, 3/32 x 3/4 | 3 | | |
| 17 | 8560 | COTTER PIN | 2 | | |
| 18 | 8587 | | 2 | | |
| 19 | 8618 | | 4 | | |
| 20 | 8624 | SNAP PIN (BACKHOE) | 2 | | |
| 21 | 8675 | Compression Spring 1200X | 3 | | |
| 22 | 8679 | | 2 | | |
| 23 | 11968 | Bearing, Flange Metric | 4 | | |
| 24 | 12540 | | 2 | | |
| 25 | 13237 | Retaining Ring | 1 | | |
| 26 | 13454 | | 2 | | |
| 27 | 13463 | | 2 | | |
| 28 | 13473 | PIN RETAINER | 1 | | |
| 29 | 15548 | Drive Shaft, Complete | 1 | | |
| 30 | 18725 | | 10 | | |
| 31 | 66073 | J-LATCH | 3 | | |
| 32 | 66098 | TENSION ROD | 2 | | |
| 33 | 66102 | SPACER TUBE | 6 | | |
| 34 | 66104 | | 2 | | |
| 35 | 66155 | REAR LIFT SHAFT | 1 | | |
| 36 | 451185 | | 1 | | |
| 37 | 451195 | | 1 | | |
| 38 | 451230 | | 1 | | |
| 39 | 451235 | | 1 | | |
| 40 | 451240 | | 1 | | |
| 41 | 451241 | FRONT MOUNT HANGER | 2 | | |
| 42 | 451245 | UPPER MOUNT LINK WELDMENT | 1 | | |
| 43 | 451250 | LOWER MOUNT LINK WELDMENT | 1 | | |
| 44 | 451252 | | 1 | | |
| 45 | 451253 | | 1 | | |

FIG A004

MOWER MOUNT PLATE KIT FOR TRACTORS
WITHOUT LOADER

Year/Month

2020/02

BM60 Ameriquip

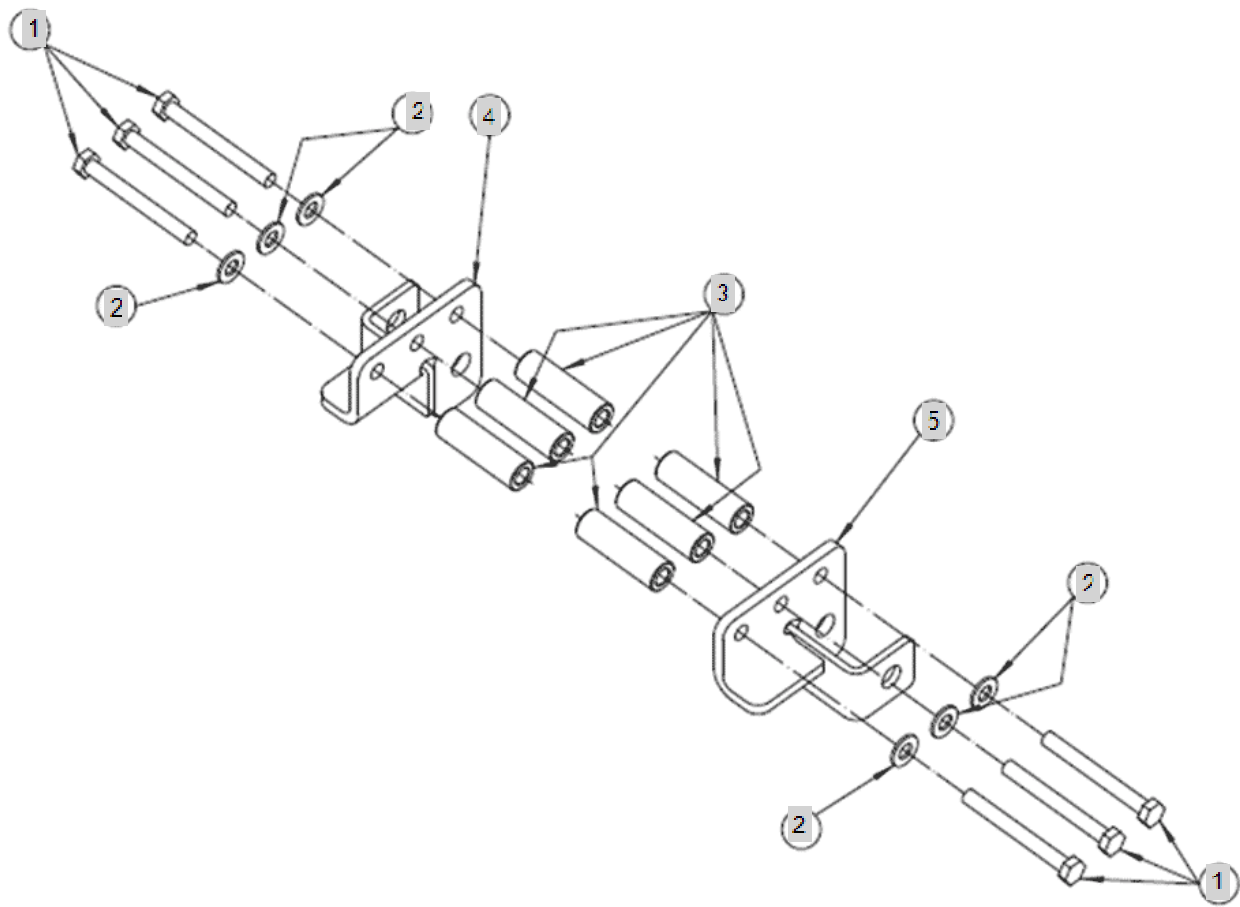
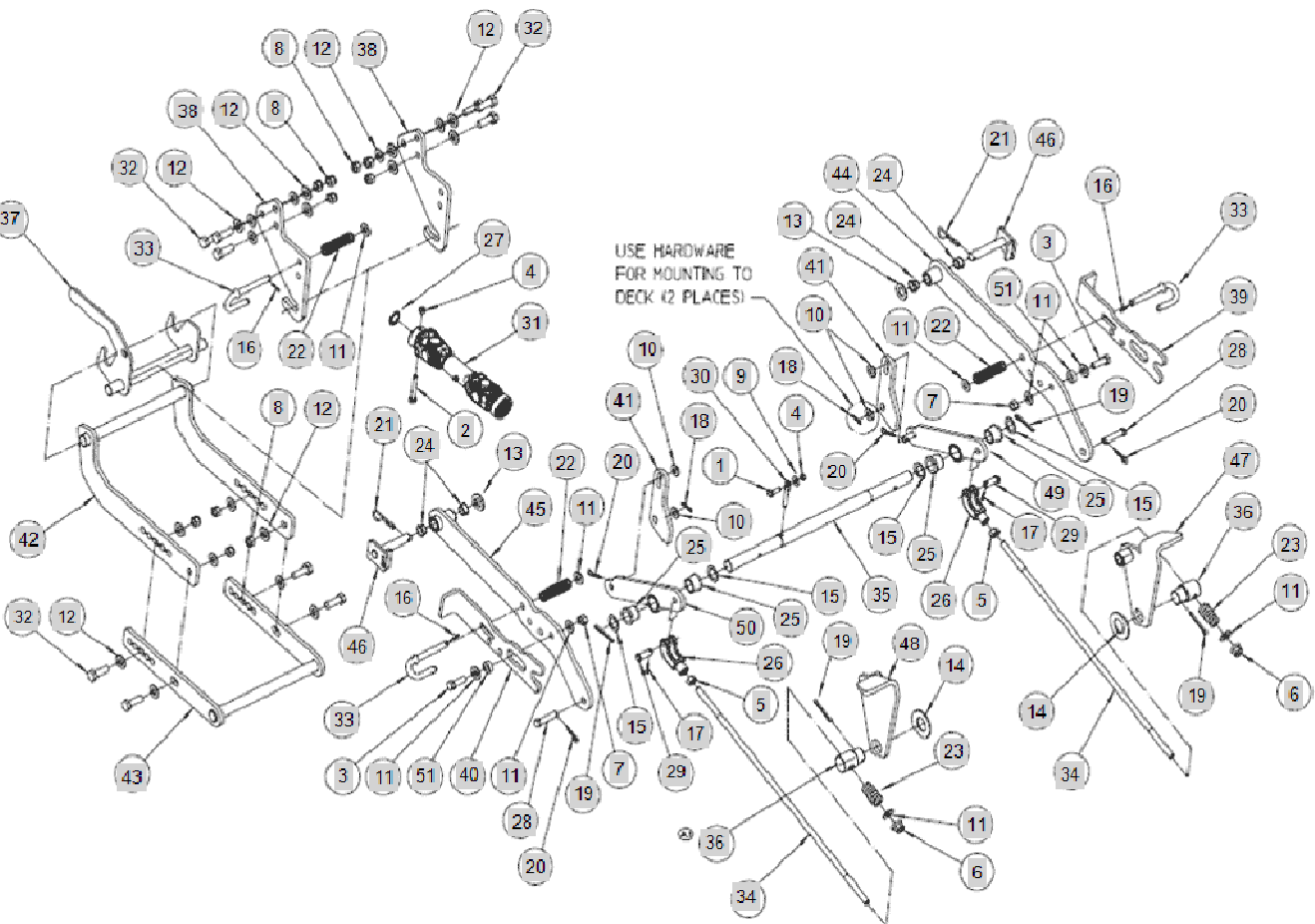


FIG A005

MOWER MOUNTING KIT (OPTION B) (FOR TRACTORS WITH LOADER)

Year/Month

2020/02



| FIG A005 BM60 Ameriquip | | MOWER MOUNTING KIT (OPTION B) (FOR TRACTORS WITH LOADER) | | Year/Month |
|----------------------------|-------------|--|----------|------------|
| | | | | 2020/02 |
| KeyNo. | Part Number | Part Name | Quantity | Other |
| 1 | 6792 | 5/16-18 x 1 HEX HEAD CAP SCREW | 1 | |
| 2 | 6813 | Hex Bolt, Shear | 1 | |
| 3 | 7028 | | 2 | |
| 4 | 7433 | Hex Nut | 2 | |
| 5 | 7511 | Nut, 1/2 NF | 2 | |
| 6 | 7514 | LOCKNUT HEX FLANGE | 2 | |
| 7 | 7515 | | 2 | |
| 8 | 7519 | | 10 | |
| 9 | 8152 | Washer B06F | 1 | |
| 10 | 8164 | FLAT WASHER, 1/2 SAE HARDENED | 4 | |
| 11 | 8173 | WASHER 1/2" | 9 | |
| 12 | 8176 | | 20 | |
| 13 | 8192 | Flat Washer | 2 | |
| 14 | 8206 | | 2 | |
| 15 | 8283 | Washer Spacer | 4 | |
| 16 | 8554 | Cotter Pin, 3/32 x 3/4 | 3 | |
| 17 | 8560 | COTTER PIN | 2 | |
| 18 | 8574 | | 2 | |
| 19 | 8587 | | 4 | |
| 20 | 8618 | | 4 | |
| 21 | 8624 | SNAP PIN (BACKHOE) | 2 | |
| 22 | 8675 | Compression Spring 1200X | 3 | |
| 23 | 8679 | | 2 | |
| 24 | 11968 | Bearing, Flange Metric | 4 | |
| 25 | 11969 | Bearing, Plain | 4 | |
| 26 | 12540 | | 2 | |
| 27 | 13237 | Retaining Ring | 2 | |
| 28 | 13454 | | 2 | |
| 29 | 13463 | | 2 | |
| 30 | 13473 | PIN RETAINER | 1 | |
| 31 | 15548 | Drive Shaft,Complete | 1 | |
| 32 | 18725 | | 10 | |
| 33 | 66073 | J-LATCH | 3 | |
| 34 | 66098 | TENSION ROD | 2 | |
| 35 | 66103 | pivot shaft | 1 | |
| 36 | 66104 | | 2 | |
| 37 | 451240 | | 1 | |
| 38 | 451241 | FRONT MOUNT HANGER | 2 | |
| 39 | 451242 | RH LATCH PLATE | 1 | |
| 40 | 451243 | LH LATCH PLATE | 1 | |
| 41 | 451244 | | 2 | |
| 42 | 451245 | UPPER MOUNT LINK WELDMENT | 1 | |
| 43 | 451250 | LOWER MOUNT LINK WELDMENT | 1 | |
| 44 | 451255 | | 1 | |
| 45 | 451260 | | 1 | |

