

KUKJE BM60 Branson ETC

Parts Catalogue

 **BRANSON TRACTOR**

FIG 001

FRAME ASSEMBLY

Year/Month

BM60

2020/02

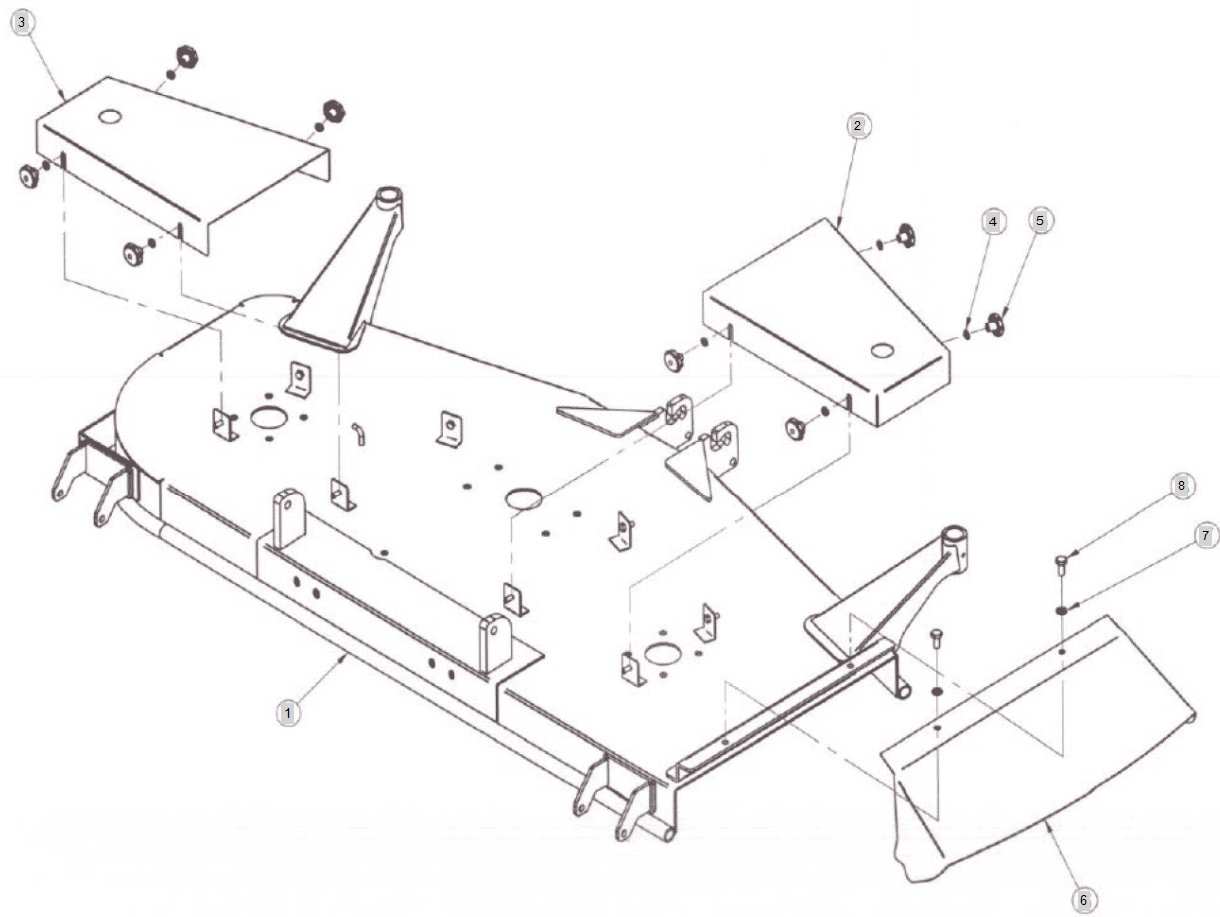


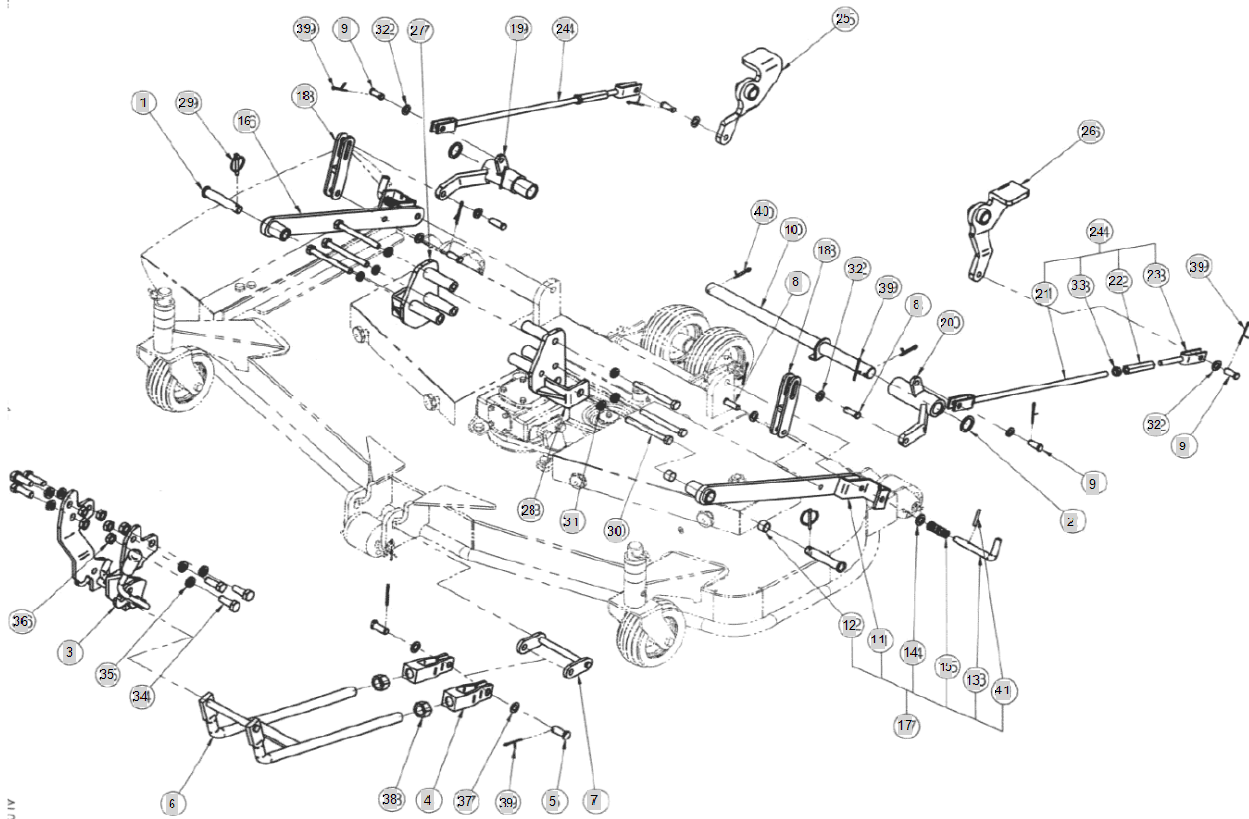
FIG 002

BM60

MAIN FRAME ASSEMBLY

Year/Month

2020/02



140114

FIG 003		POWER LINE			Year/Month
BM60					2020/02
KeyNo.	Part Number	Part Name	Quantity	Other	
1	MW60-TS0000	TENSION ASSY	1		
2	MW60-SP1000	SPINDLE MID ASSY	1		
3	MW60-SP1020	OIL SEAL	2		
4	MW60-SP1030	OIL SEAL	2		
5	MW60-SP1040	KEY	1		
6	MW60-SP2000	SPINDLE ASS'Y	1		
7	MW60-SP2010	HUB RH	1		
8	MW60-SP2020	SPINDLE RH	1		
9	MW60-SP2030	KEY 7X7X22L	2		
10	MW60-SP2040	WASHER	2		
11	MW60-SP2050	WASHER	3		
12	MW60-SP5010	ADAPTER	2		
13	MW60-SP5020	ADAPTER	3		
14	MW60-SP5030	WASHER	6		
15	MW60-SP5040	BAFFLE	3		
16	MW60-SP6010	PULLEY RH LH	2		
17	MW60-SP6020	PULLEY MIDDLE	1		
18	MW60-SP1010	SPINDLE MID	1		
19	MW60-TS0010	SPACER	1		
20	MW60-TS0020	SPRING	1		
21	MW60-TS0120	COVER	1		
22	MW60-TS1000	TENSION BRACKET	1		
23	MW60-TS2010	PULLEY-TENSION	1		
24	MW60-FR0090	SPACER	1		
25	MW60-FR3010	SUPPORT LH	1		
26	MW60-FR3020	SUPPORT RH	11		
27	MW60-GB000A	GEAR BOX ASSY	1		
28	MW60-GB0150	SPACER	1		
29	MW60-VB0010	V-BELT	2		
30	J310-000A	JOINT ASSY	1		
31	MW60-BL0010	BLADE	3		
32	BH0833125X	SUB TO ->26013-080162 BOLT 8X15	1		
33	WS08M	SPRING WASHER	1		
34	BH1255125Z	BOLT(10.9T)	15		
35	BH1266125Z	BOLT(10.9T)	4		
36	BH12E6125Z	BOLT (10.9T)	1		
37	WS12M	SPRING WASHER	17		
38	NH12125Z	NUT	1		
39	WS16M	SPRING WASHER	2		
40	NH16150Z	NUT	2		
41	SN17M	SNAP RING	1		
42	SN22M	SNAP RING	2		
43	SN52F	SNAP RING	4		
44	6003	BALL BEARING	2		
45	6205ZZ	BALL BEARING	3		

FIG 005

WHEEL

Year/Month

BM60

2020/02

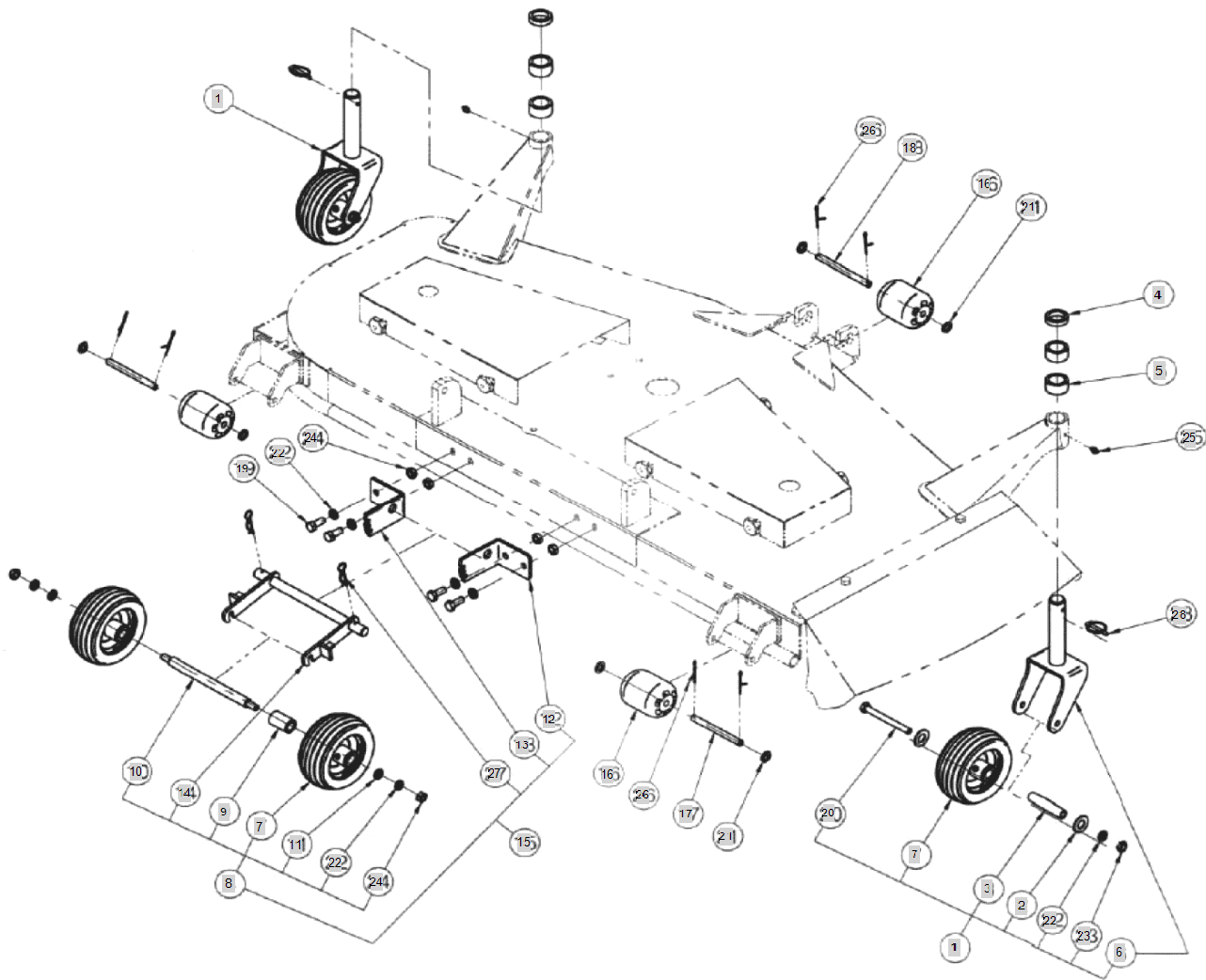


FIG 006

DECAL & MANUAL

Year/Month

BM60

2020/02

