

KUKJE BL450SL Branson Loader

Parts Catalogue

FIG A001 BL450SL	BUCKET(2020~)	Year/Month 2020/02
---------------------	---------------	-----------------------

FIG 001 BL450SL	BUCKET	P1	Year / Month 2019 / 11	
--------------------	--------	----	---------------------------	---

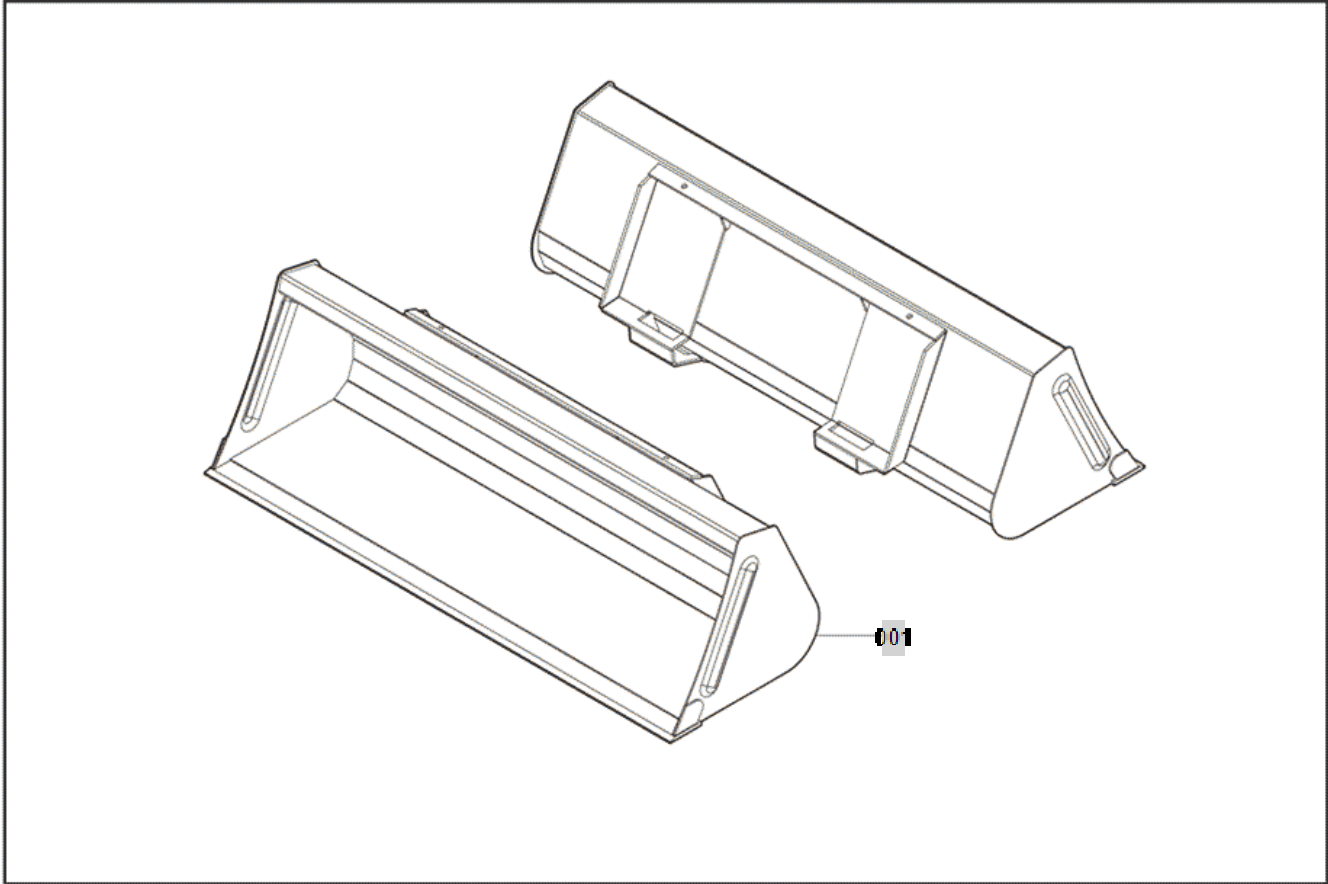


FIG A001-1

BUCKET (2018.11~)

Year/Month

BL450SL

2020/02

FIG 001
BL450SL

BUCKET

P1

Year / Month

2018 / 11

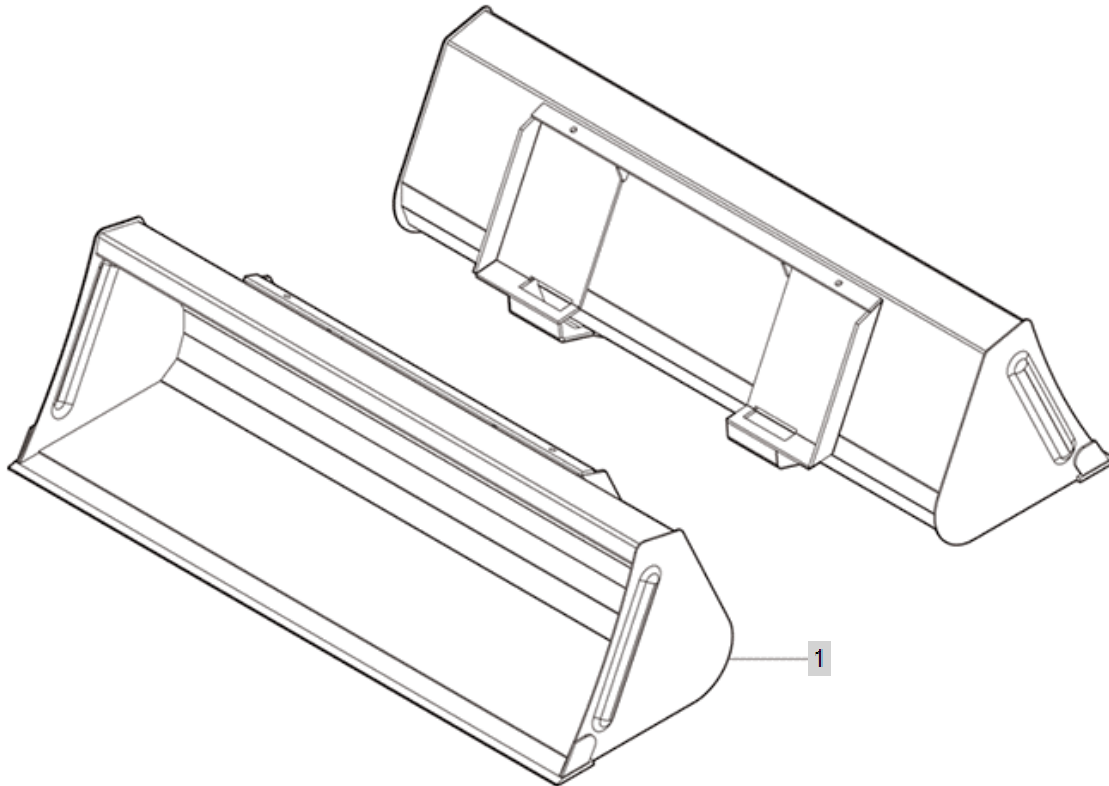



FIG A002 BL450SL	QUICK ATTACH ASS'Y(2020~)	Year/Month 2020/02
---------------------	---------------------------	-----------------------

FIG 002 BL450SL	QUICK ATTACHMENT ASS'Y	P1	Year / Month 2019 / 11	
--------------------	------------------------	----	---------------------------	---

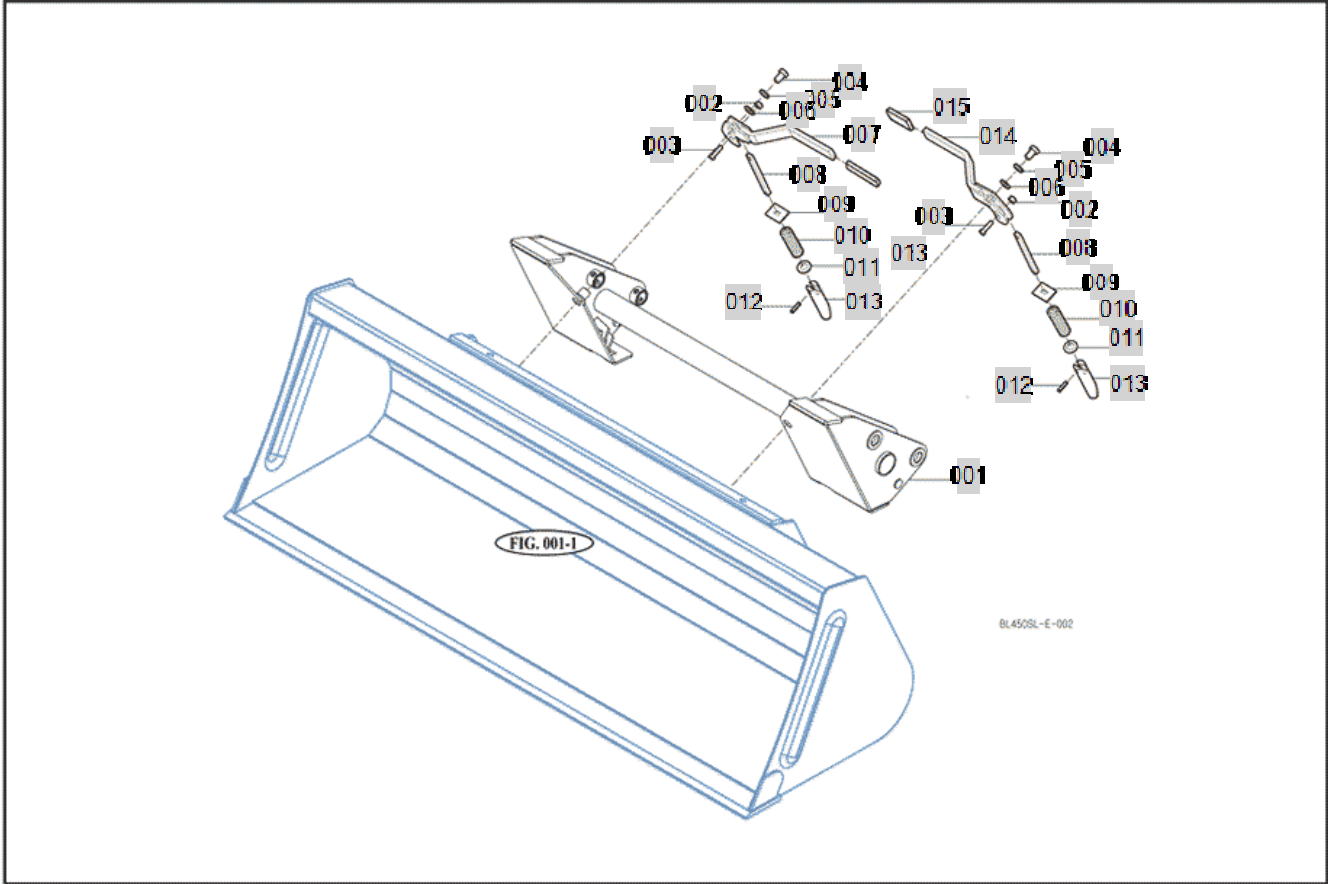


FIG A002-1

QUICK ATTACH ASS'Y (2018.11~)

Year/Month

BL450SL

2020/02

FIG 002
BL450SL

QUICK ATTACHMENT ASS'Y

P1

Year / Month

2018 / 11

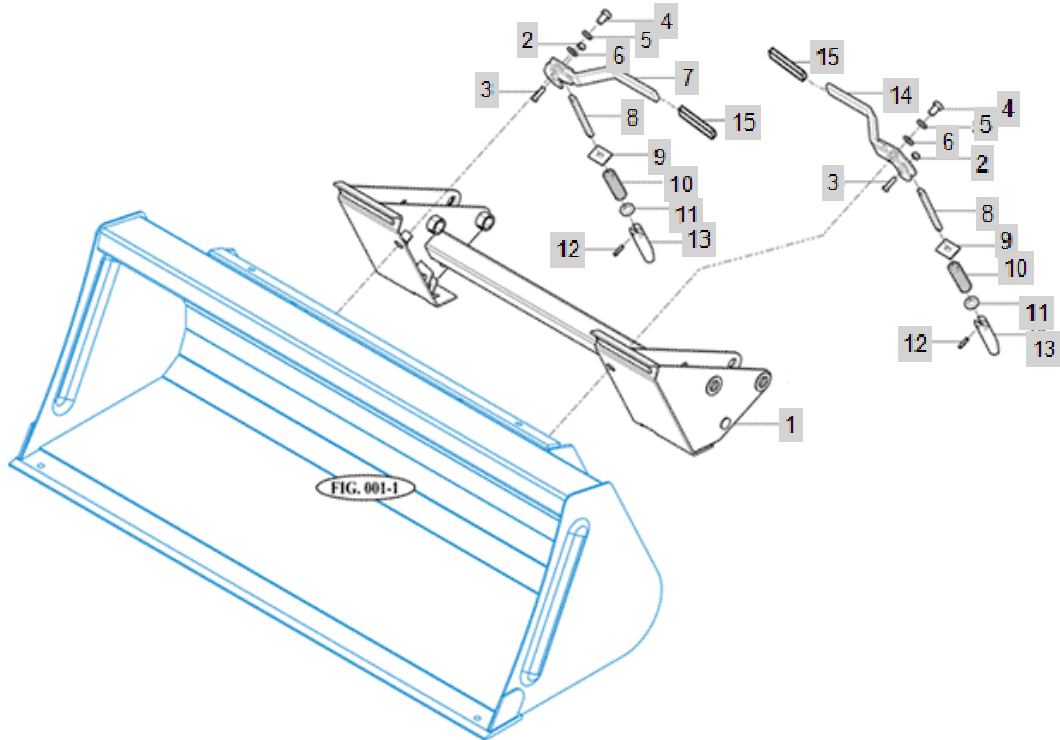



FIG A003 BL450SL	MOUNTING FRAME ASS'Y(2020~)	Year/Month 2020/02
---------------------	-----------------------------	-----------------------

FIG 003 BL450SL	MOUNTING FRAME ASS'Y	P1	Year / Month 2019 / 11	
--------------------	----------------------	----	---------------------------	---

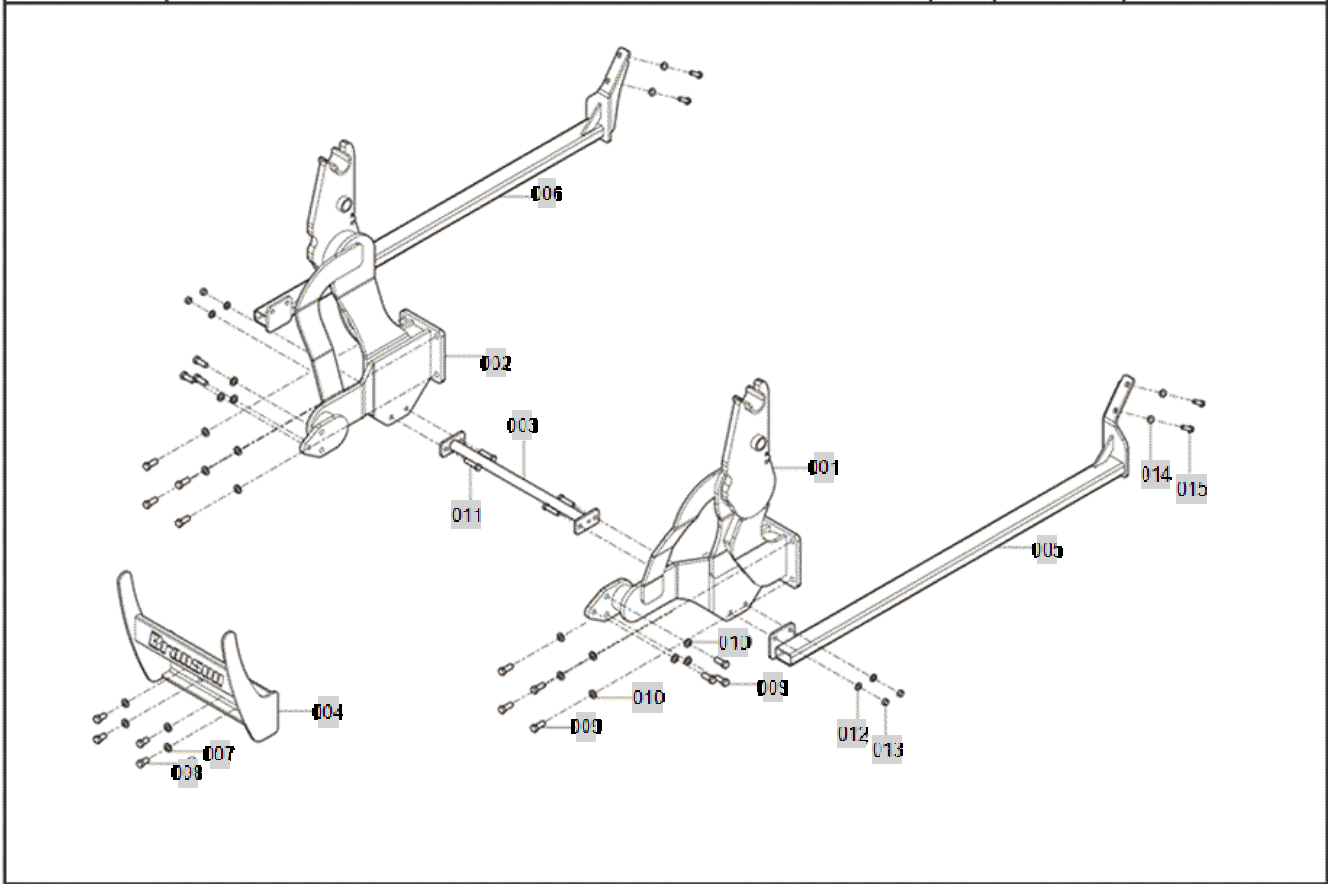


FIG A003-1

MOUNTING FRAME ASS'Y (2018.11~)

Year/Month

BL450SL

2020/02

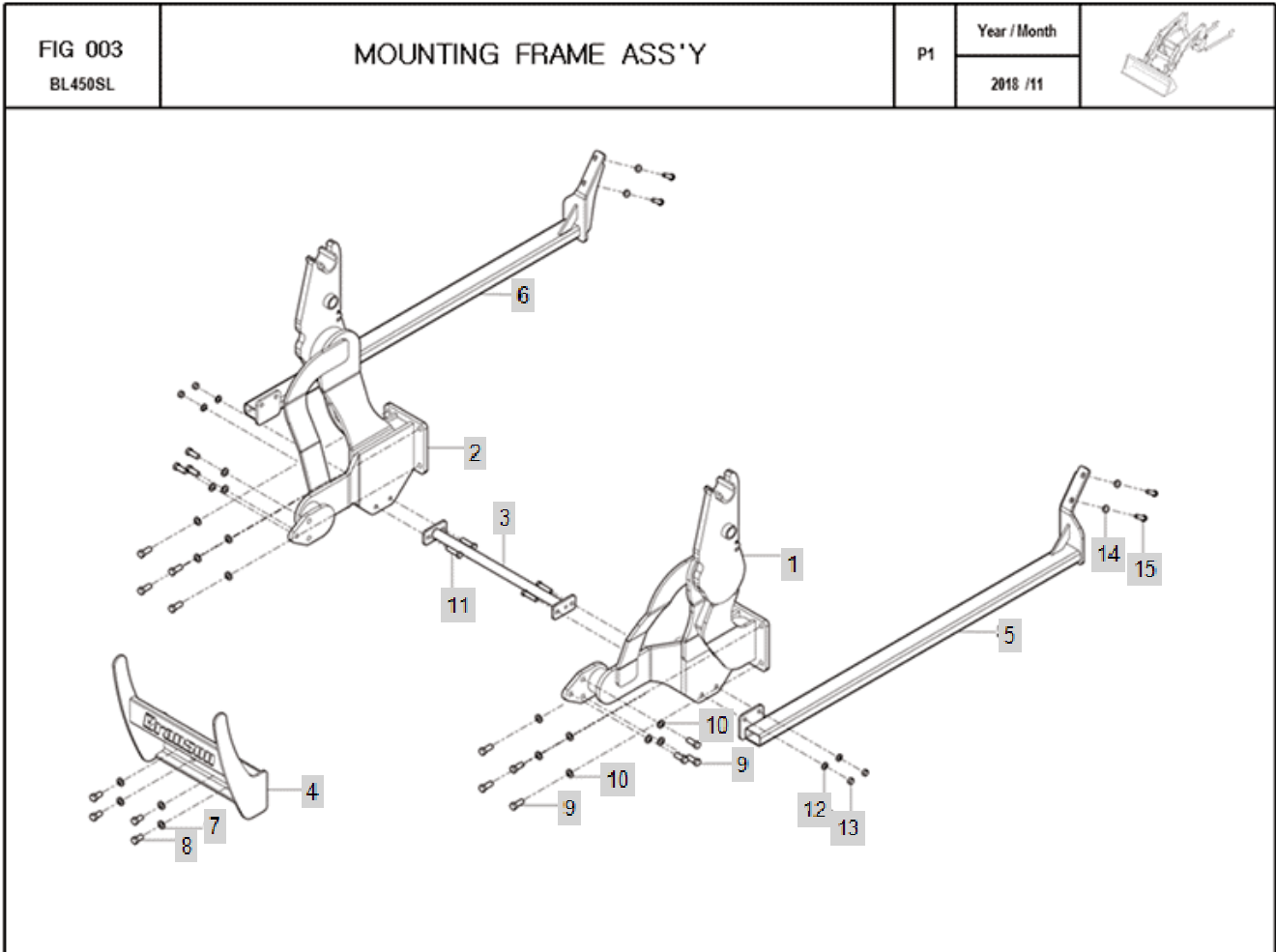



FIG A004 BL450SL	BOOM ASS'Y(2020~)	Year/Month 2020/02
---------------------	-------------------	-----------------------

FIG 004 BL450SL	BOOM ASS'Y	P1	Year / Month 2019 / 11	
--------------------	------------	----	---------------------------	---

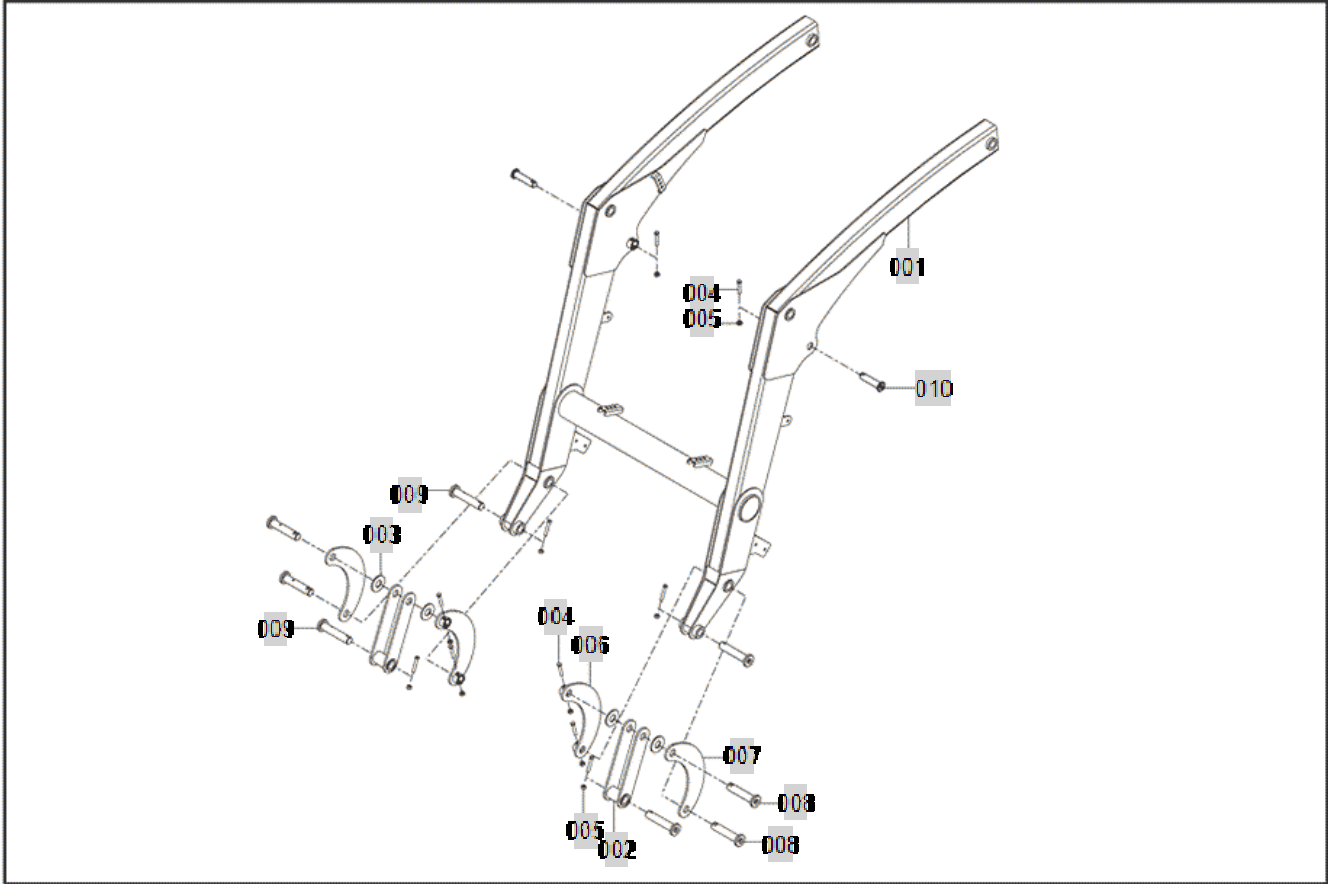



FIG A004-1

BL450SL

BOOM ASS'Y (2018.11~)

Year/Month

2020/02

FIG 004 BL450SL	BOOM ASS'Y	P1	Year / Month	
			2018 / 11	

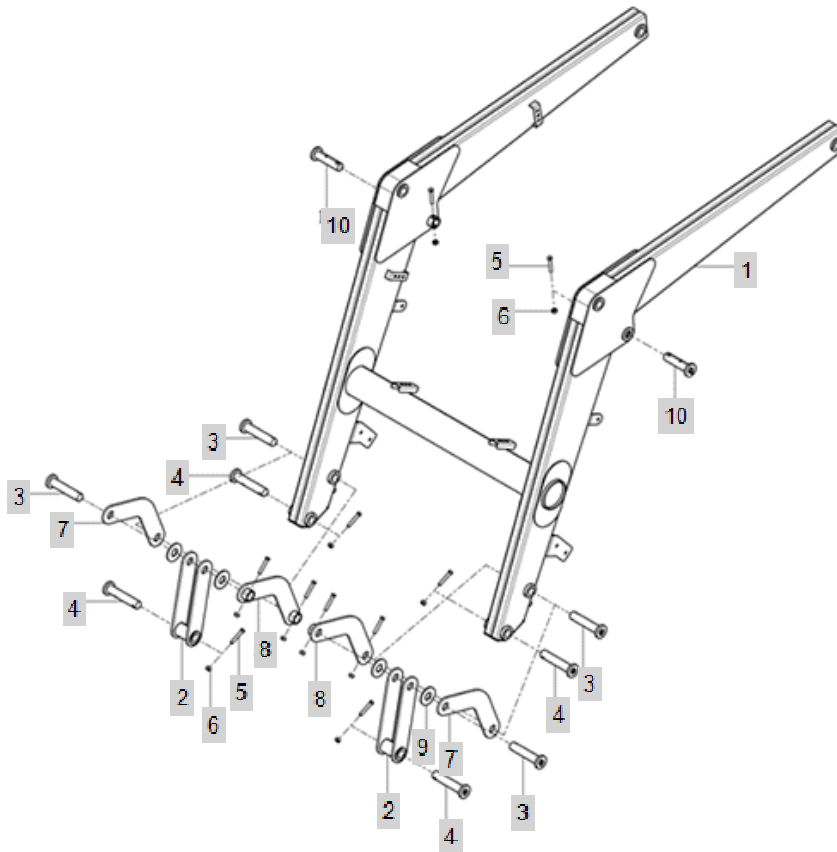


FIG A005

POST & SELF LEVELING LINK(2020~)

Year/Month

BL450SL

2020/02

FIG 005
BL450SL

POST & SELF LEVELING LINK

P1

Year / Month

2019 / 11

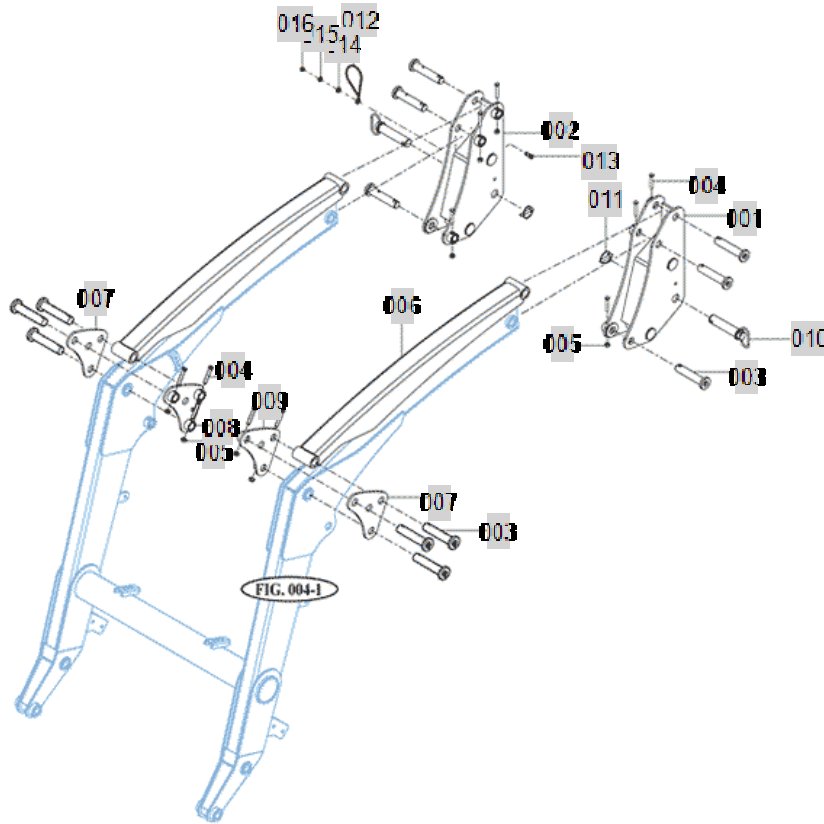


FIG A005-1

BL450SL

POST & SELF LEVELING LINK(2018.11~)

Year/Month

2020/02

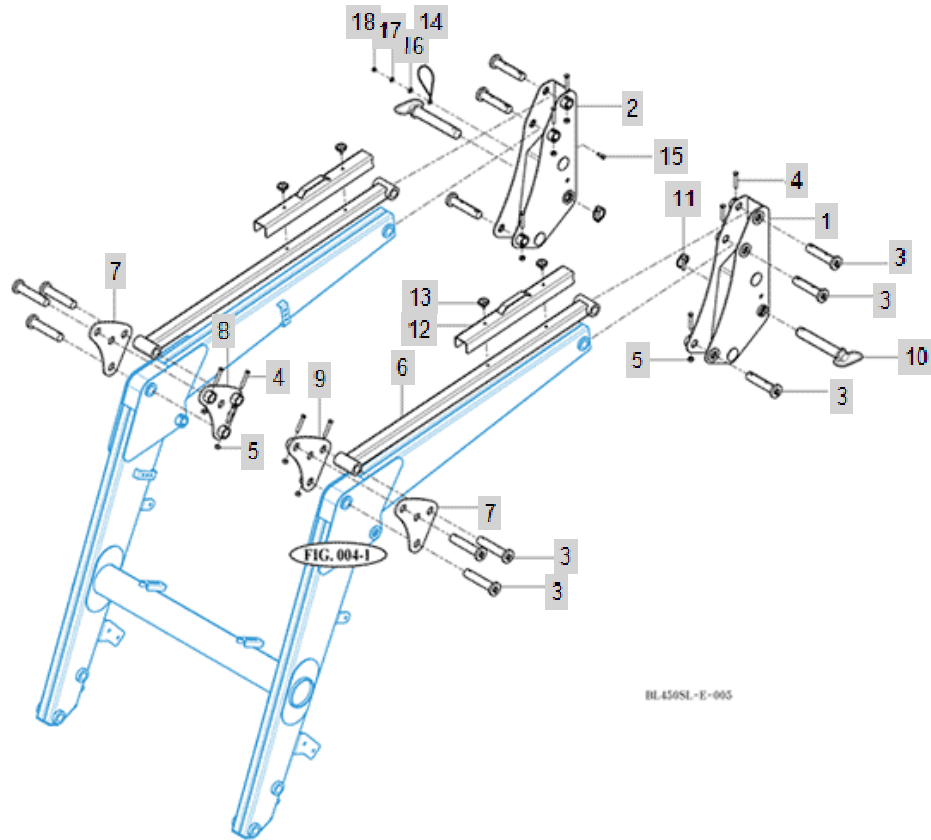
FIG 005
BL450SL

POST & SELF LEVELING LINK

P1


Year / Month

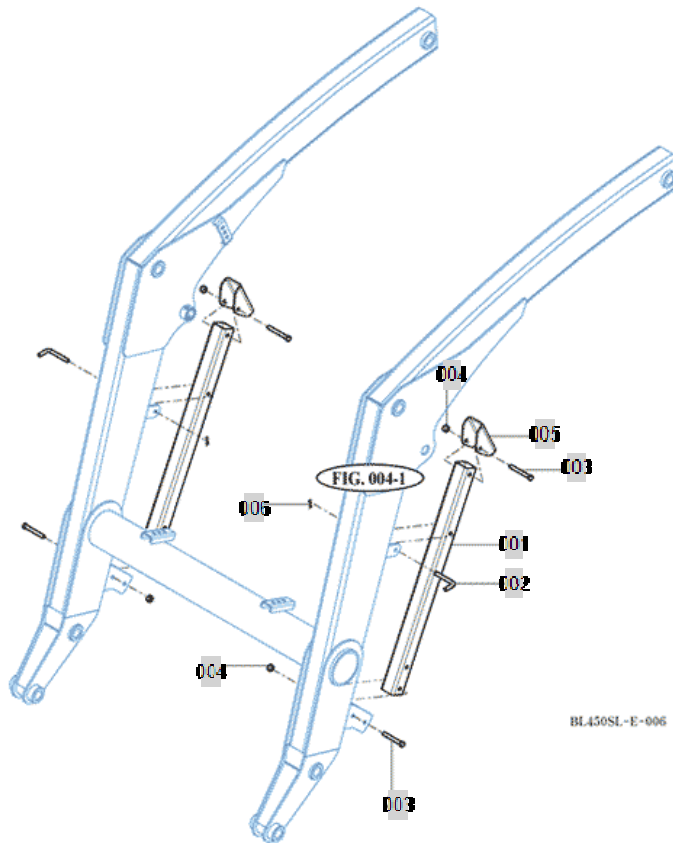
2018 / 11



BL450SL-E-005

FIG A006 BL450SL	STAND ASSEMBLY(2020~)	Year/Month 2020/02
---------------------	-----------------------	-----------------------

FIG 006 BL450SL	STAND ASSEMBLY	P1	Year / Month 2019 / 11	
--------------------	----------------	----	---------------------------	---



BL450SL-E-006

FIG A006-1

STAND ASSEMBLY (2018.11~)

Year/Month

BL450SL

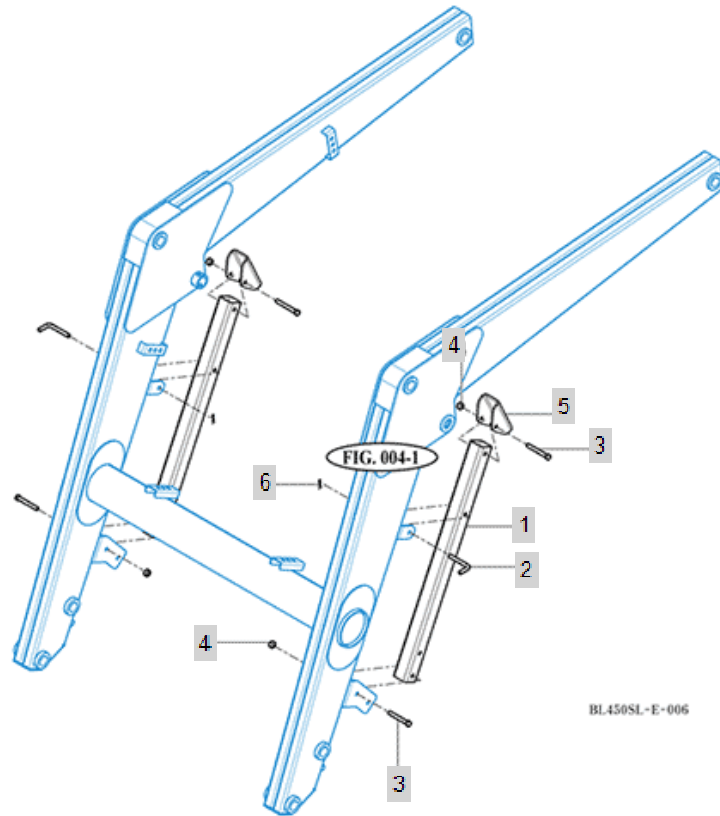
2020/02

FIG 006
BL450SL

STAND ASSEMBLY

P1

Year / Month
2018 / 11



BL450SL-E-006

FIG A007

BL450SL

LOADER VALVE(2020~)

Year/Month

2020/02

FIG 007
BL450SL

LOADER VALVE

P1

Year / Month

2019 / 11

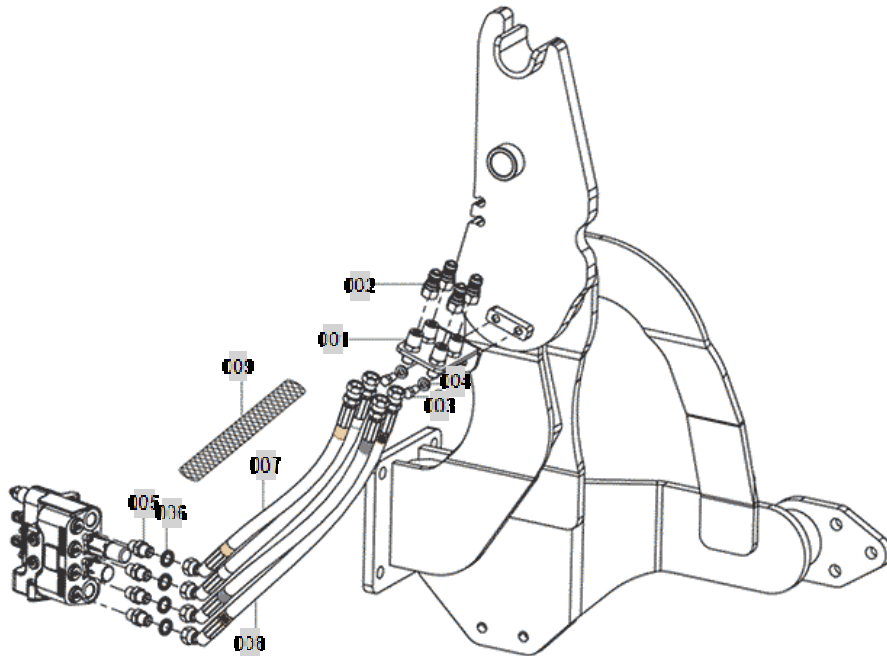


FIG A007-1

LOADER VALVE (2018.11~)

Year/Month

BL450SL

2020/02

FIG 007
BL450SL

LOADER VALVE

P1

Year / Month

2018 / 11

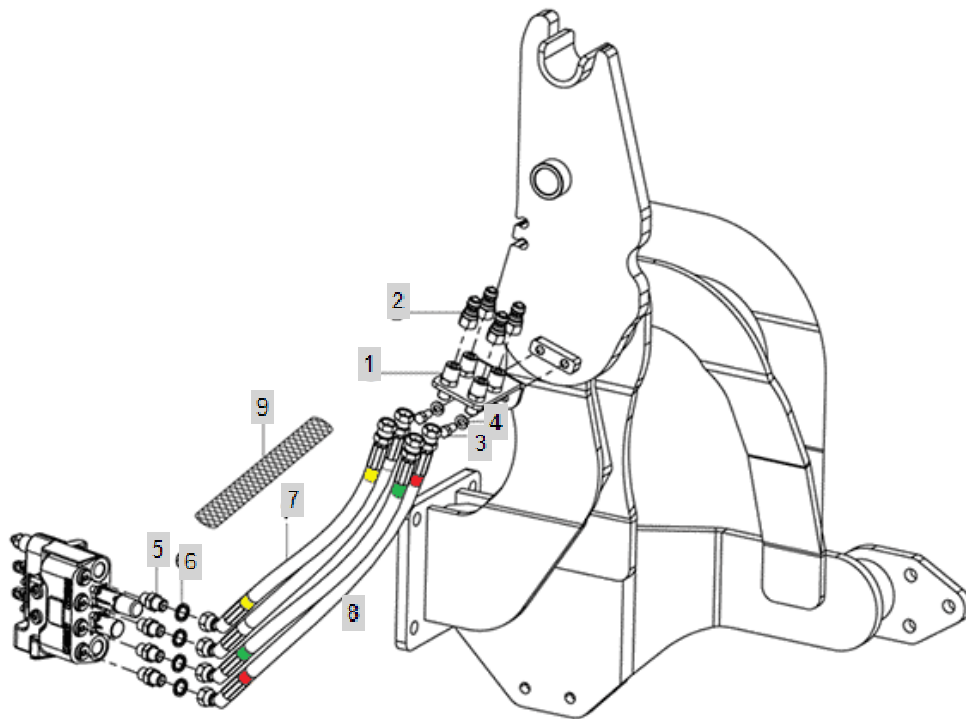


FIG A008

BL450SL

HYDRAULIC ASSEMBLY(2020~)

Year/Month

2020/02

FIG 008
BL450SL

HYDRAULIC ASSEMBLY

P1

Year / Month

2019 / 11

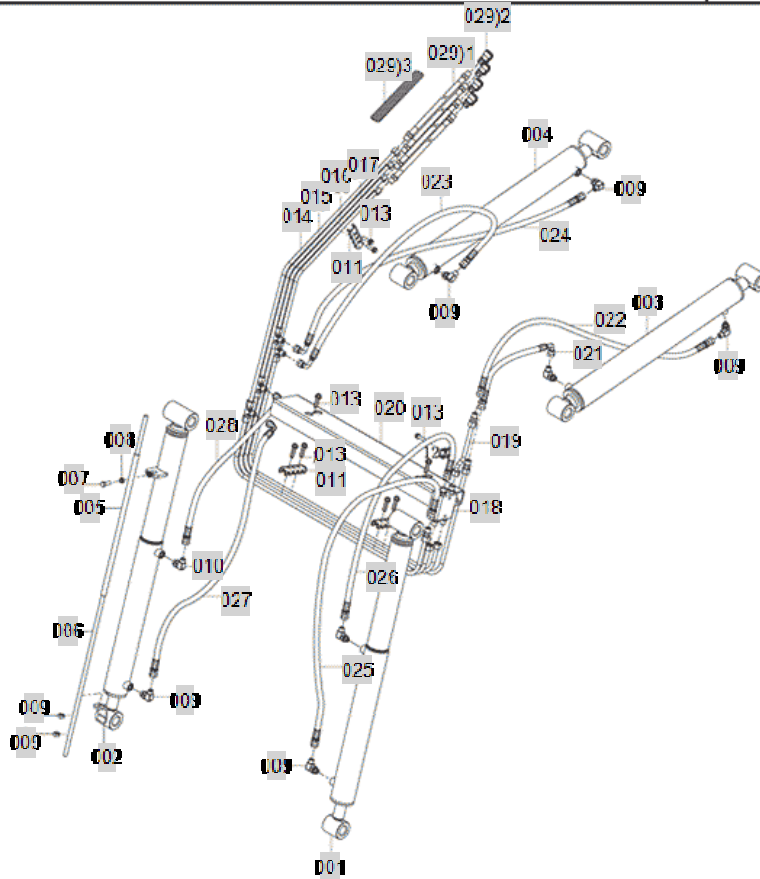


FIG A008-1

HYDRAULIC ASSEMBLY (2018.11~)

Year/Month

BL450SL

2020/02

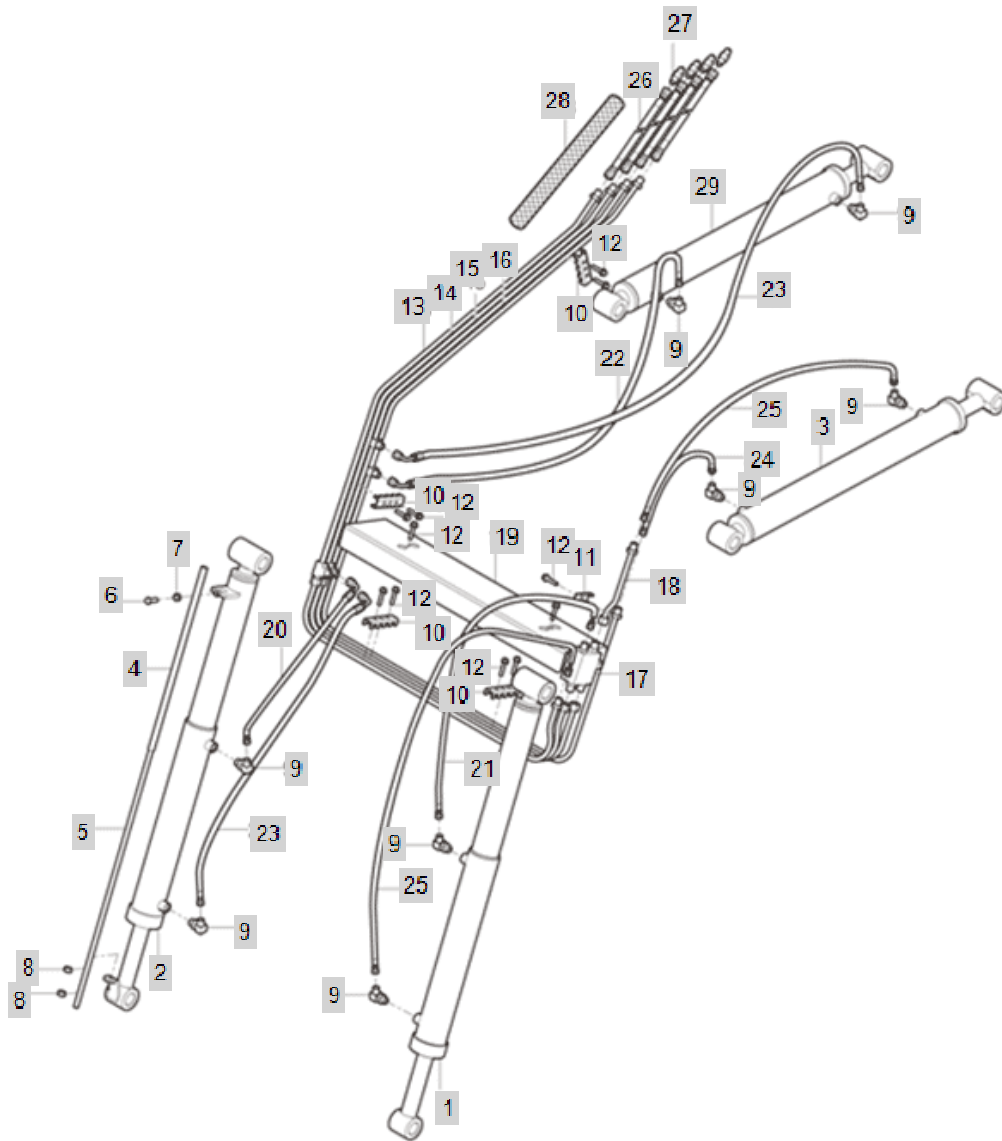


FIG A009 BL450SL	BUCKET CYLINDER(2020~)	Year/Month 2020/02
---------------------	------------------------	-----------------------

FIG 009 BL450SL	BUCKET CYLINDER	P1	Year / Month 2019 / 11	
--------------------	-----------------	----	---------------------------	---

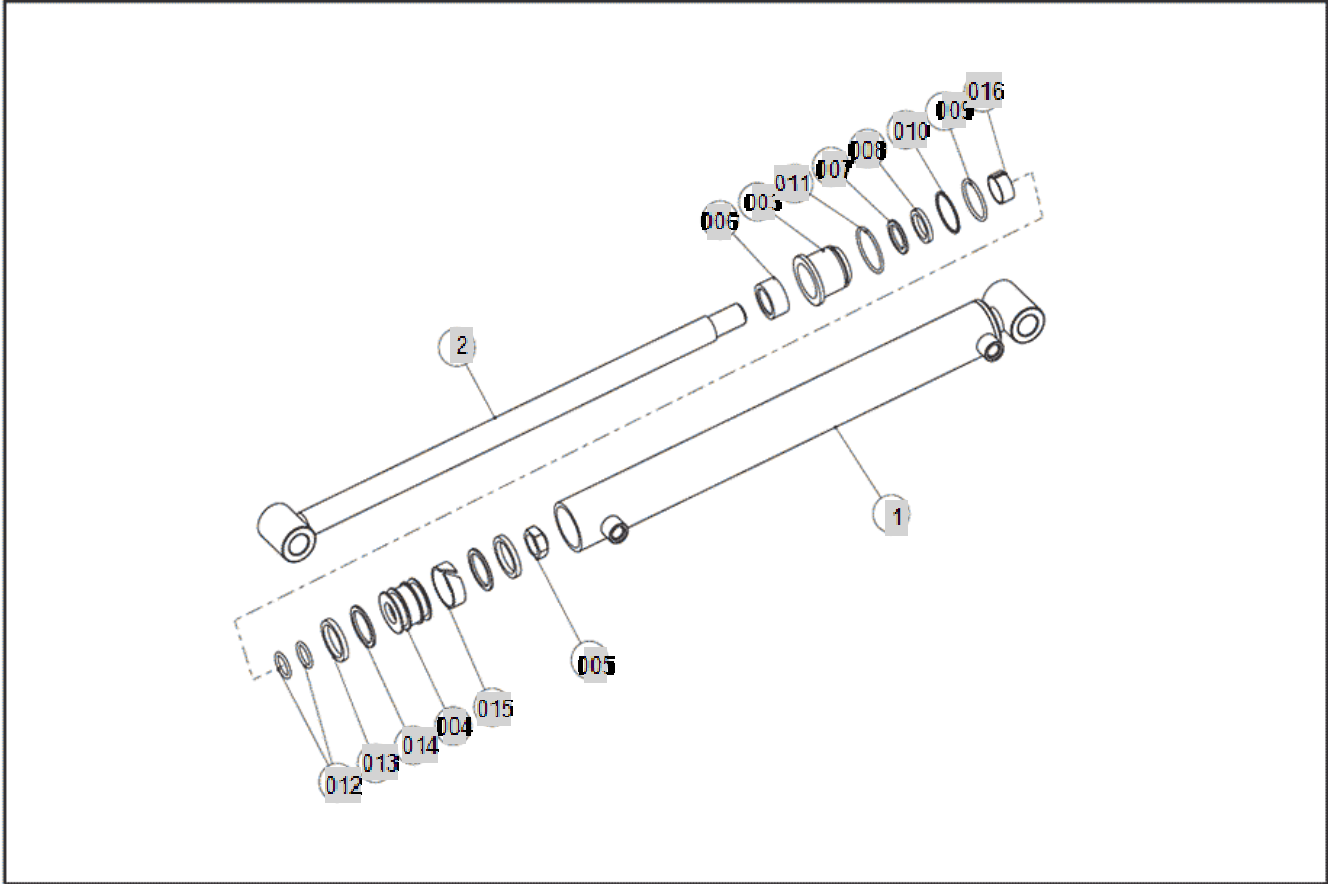


FIG A009-1

BUCKET CYLINDER (2018.11~)

Year/Month

BL450SL

2020/02

FIG 009
BL450SL

BUCKET CYLINDER

P1

Year / Month

2018 / 11

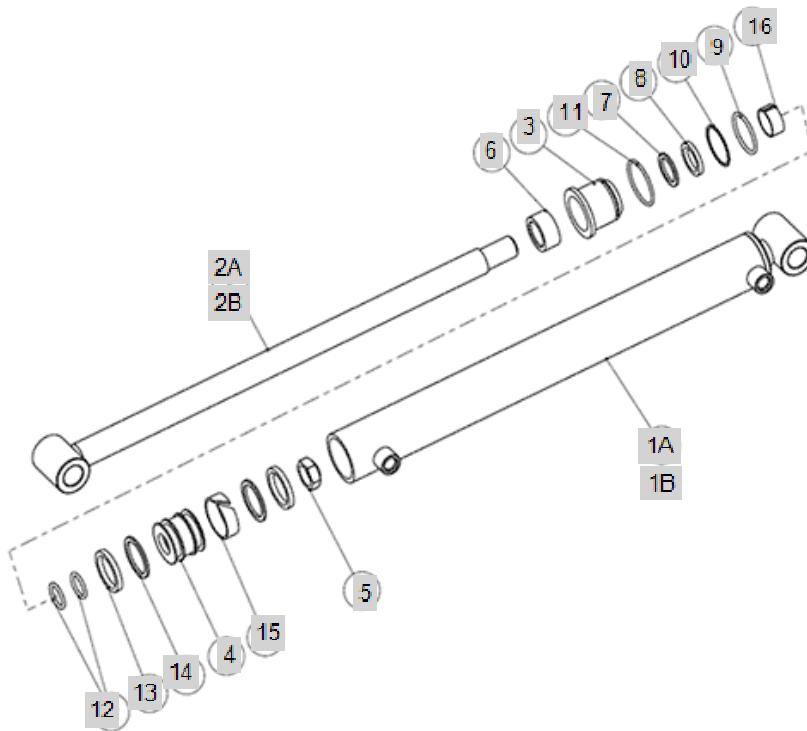


FIG A010 BL450SL	BOOM CYLINDER(2020~)	Year/Month 2020/02
---------------------	----------------------	-----------------------

FIG 010 BL450SL	BOOM CYLINDER	P1	Year / Month 2019 / 11	
--------------------	---------------	----	---------------------------	---

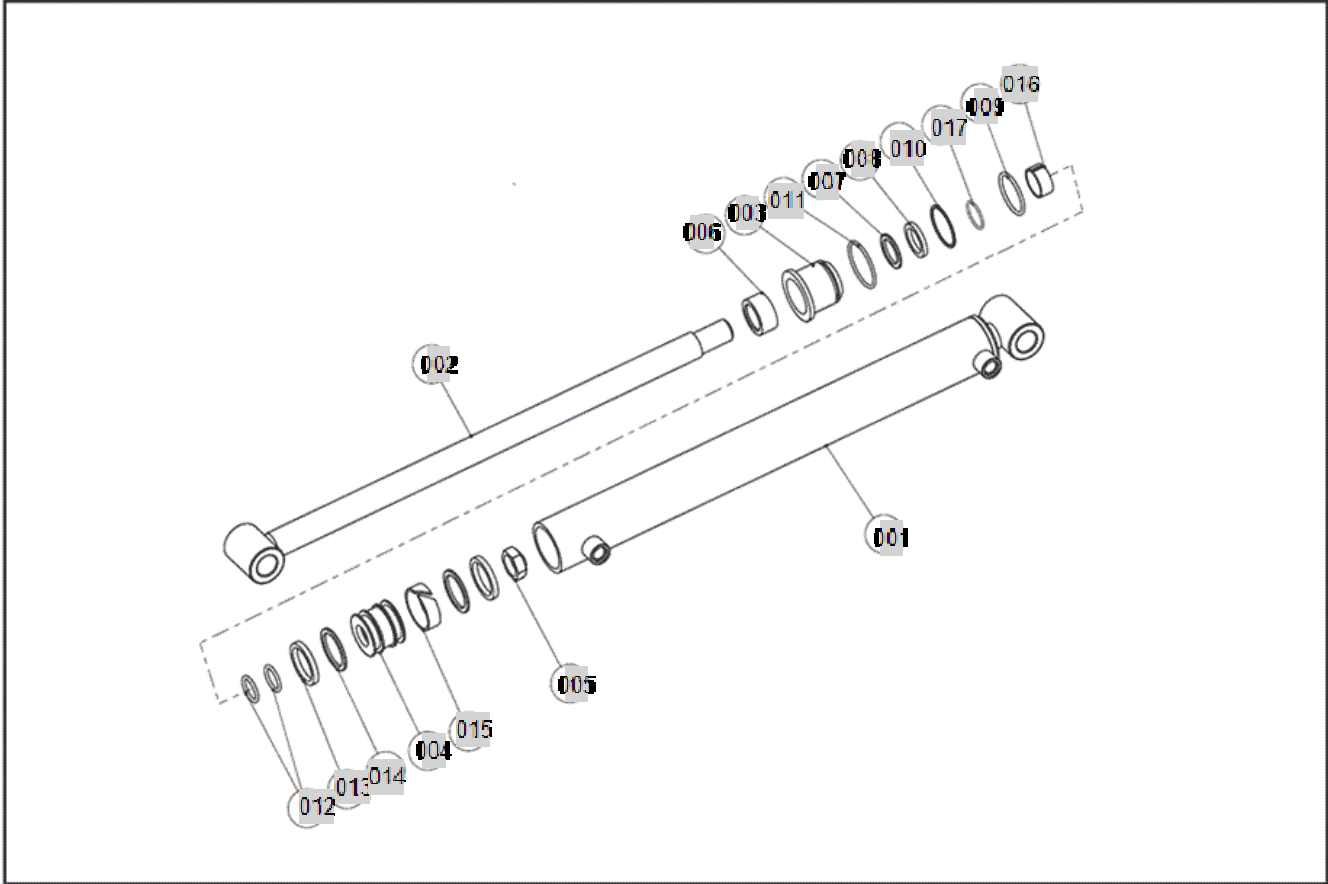


FIG A010-1

BL450SL

BOOM CYLINDER(2018.11~)

Year/Month

2020/02

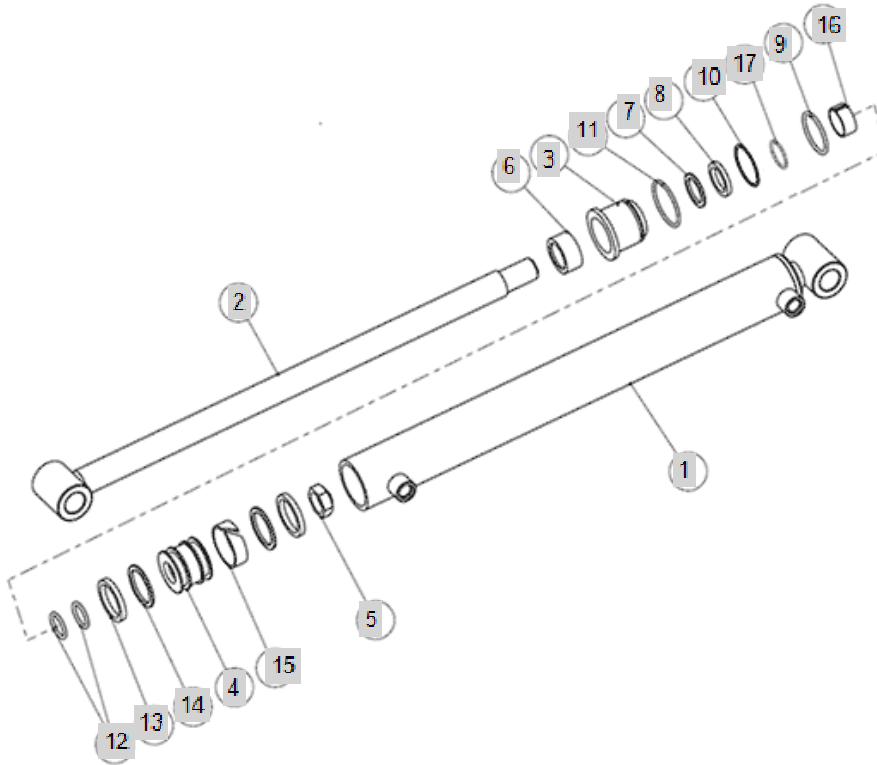
FIG 010
BL450SL

BOOM CYLINDER

P1

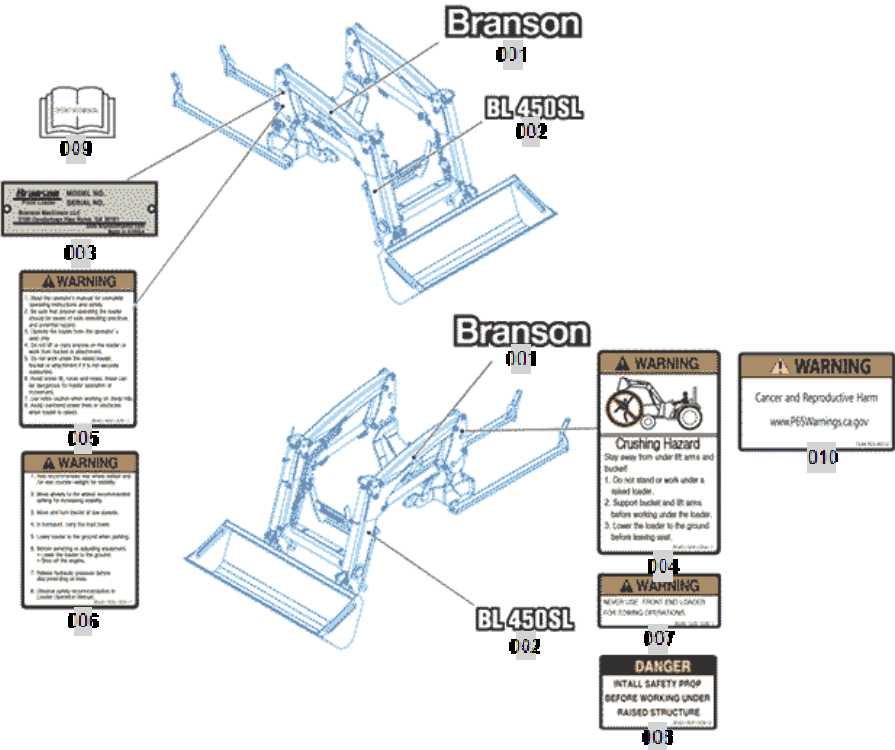
Year / Month

2018 / 11



<p>FIG A011 BL450SL</p>	<p>DECAL(2020~)</p>	<p>Year/Month 2020/02</p>
-----------------------------	---------------------	-------------------------------

<p>FIG 011 BL450SL</p>	<p>DECAL</p>	<p>P1</p>	<p>Year / Month 2019 / 11</p>	
----------------------------	--------------	-----------	-----------------------------------	---



001 Branson

002 BL450SL

003 Branson MODEL NO. SERIAL NO. APPROVED REPAIR CENTER

004 WARNING Crushing Hazard Stay away from under lift arms and bucket!

005 WARNING

006 WARNING

007 DANGER INSTALL SAFETY PROP BEFORE WORKING UNDER RAISED STRUCTURE

008 WARNING NEVER USE FRONT END LOADER FOR LOADING DRINKS

009 009

010 WARNING Cancer and Reproductive Harm www.PESWarnings.ca.gov


FIG A011-1


BL450SL

DECAL(2018.11~)


Year/Month

2020/02


<p>FIG 011 BL450SL</p>	<p>DECAL</p>	<p>P1</p>	<p>Year / Month 2018 / 11</p>	
----------------------------	--------------	-----------	-----------------------------------	---



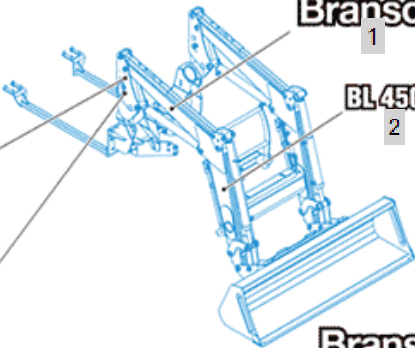
9




1




2

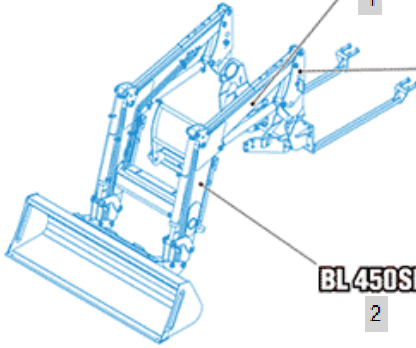





1




2

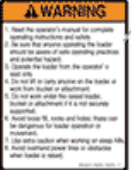




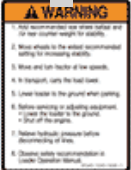
3




4




5



6



7



8

FIG A011-2

BL450SL

DECAL(2019.10~)

Year/Month

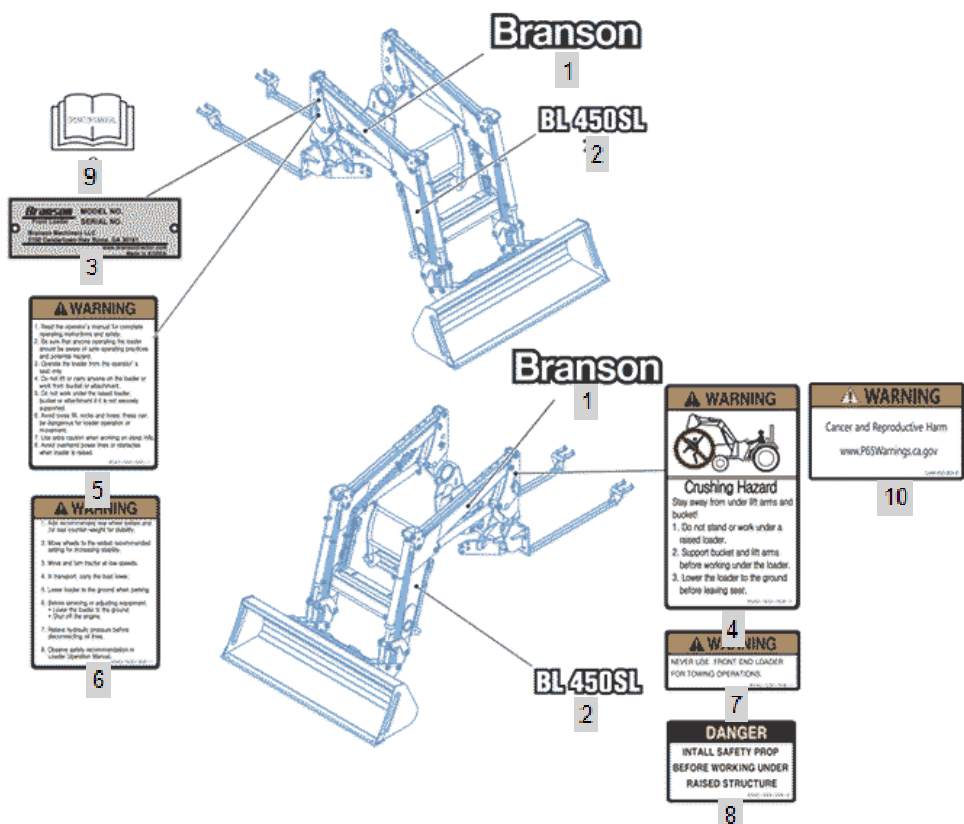
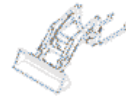
2020/02

FIG 011
BL450SL

DECAL

P1

Year / Month
2019 / 05



9

3

OPERATOR'S MANUAL
MODEL NO.
SERIAL NO.
P1
P2
P3
P4
P5
P6
P7
P8
P9
P10
P11
P12
P13
P14
P15
P16
P17
P18
P19
P20
P21
P22
P23
P24
P25
P26
P27
P28
P29
P30
P31
P32
P33
P34
P35
P36
P37
P38
P39
P40
P41
P42
P43
P44
P45
P46
P47
P48
P49
P50
P51
P52
P53
P54
P55
P56
P57
P58
P59
P60
P61
P62
P63
P64
P65
P66
P67
P68
P69
P70
P71
P72
P73
P74
P75
P76
P77
P78
P79
P80
P81
P82
P83
P84
P85
P86
P87
P88
P89
P90
P91
P92
P93
P94
P95
P96
P97
P98
P99
P100

4

WARNING

1. Read the operator's manual for correct operating instructions and safety.
2. Do not lift or carry anything on the loader except the bucket or a safe operating practice and capacity load.
3. Operate the loader from the operator's seat only.
4. Do not lift or carry anything on the loader or lift the bucket or attachment.
5. Do not work under the raised bucket, loader or attachment if it is not securely supported.
6. Avoid trees, stumps and traps. These can be dangerous for loader operation or to operators.
7. Use extra caution when working on steep hills.
8. Avoid overhead power lines or structures when loader is raised.

5

WARNING

1. All accessories use wheel loader and lift truck capacity for stability.
2. Move wheels to the widest recommended setting for increasing stability.
3. Wheel and tire factor at low speeds.
4. In transport, carry the load level.
5. Lower loader to the ground when parking.
6. Before operating or adjusting equipment:
 - Clear the bucket of the ground.
 - Stop the engine.
7. Release hydraulic pressure before disconnecting it if any.
8. Check safety recommendations in loader Operator Manual.

1

WARNING

Crushing Hazard
Stay away from under its arms and bucket!

1. Do not stand or work under a raised loader.
2. Support bucket and lift arms before working under the loader.
3. Lower the loader to the ground before leaving seat.

10

WARNING

Cancer and Reproductive Harm
www.P65Warnings.ca.gov

4

WARNING

NEVER USE FRONT END LOADER FOR TOWING OPERATIONS.

7

DANGER

INSTALL SAFETY PROP BEFORE WORKING UNDER RAISED STRUCTURE

8

