

KUKJE BL450 Branson Loader

Parts Catalogue

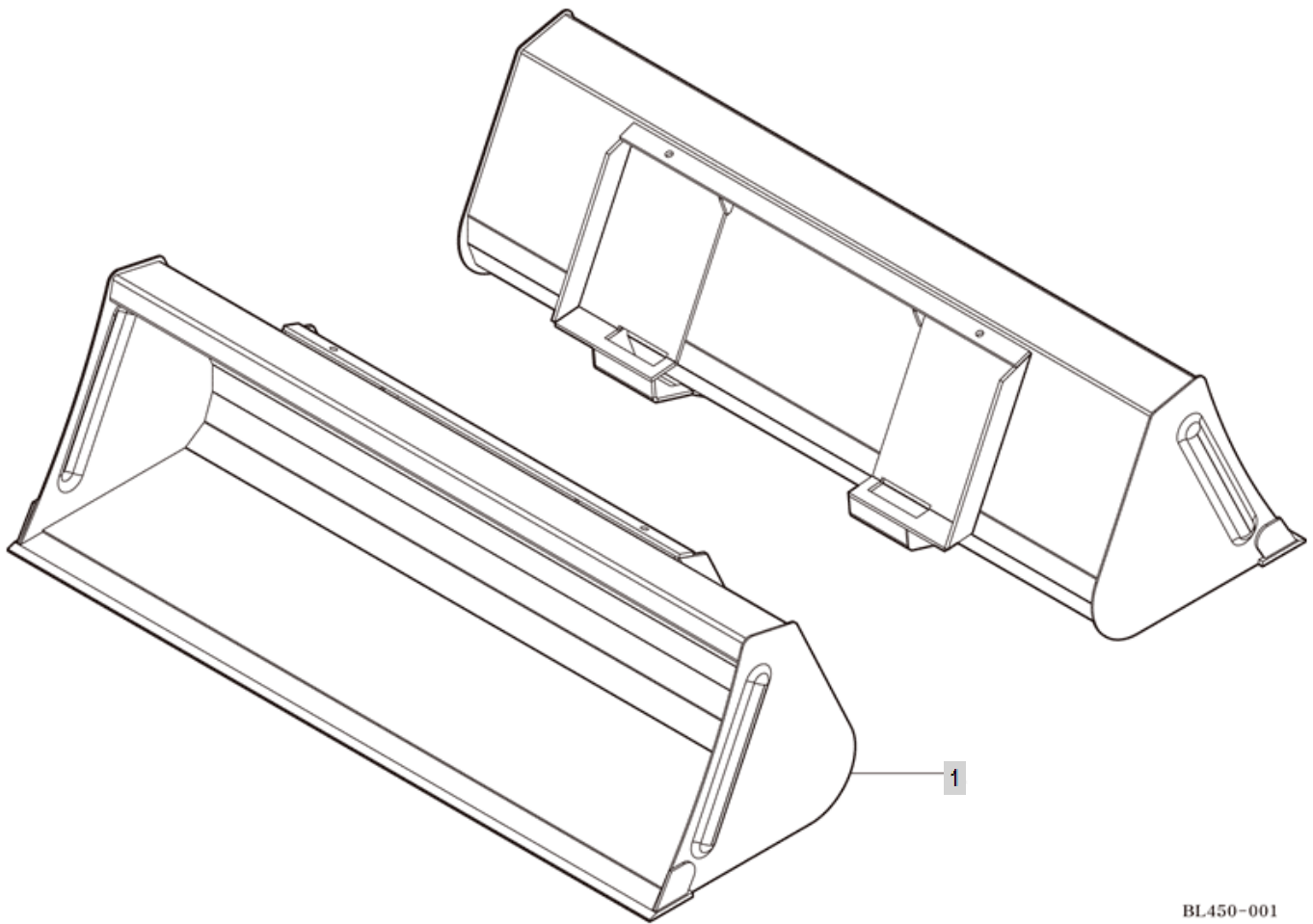
FIG A001-1

BUCKET (2018.11~)

Year/Month

BL450

2020/02



BL450-001

FIG A002-1

QUICK ATTACH ASS'Y (2018.11~)

Year/Month

BL450

2020/02

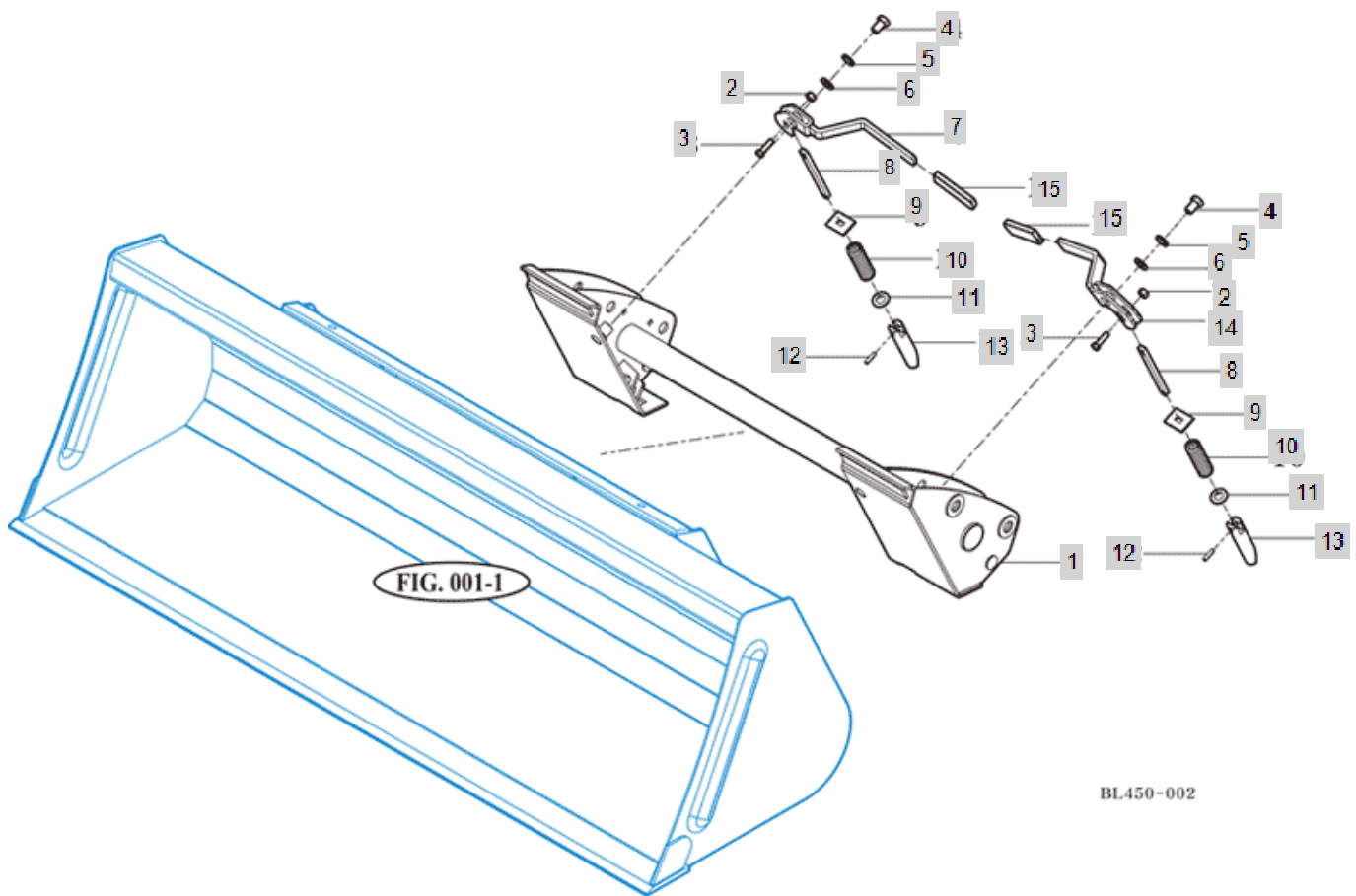


FIG A003-1

MOUNTING FRAME ASS'Y (2018.11~)

Year/Month

BL450

2020/02

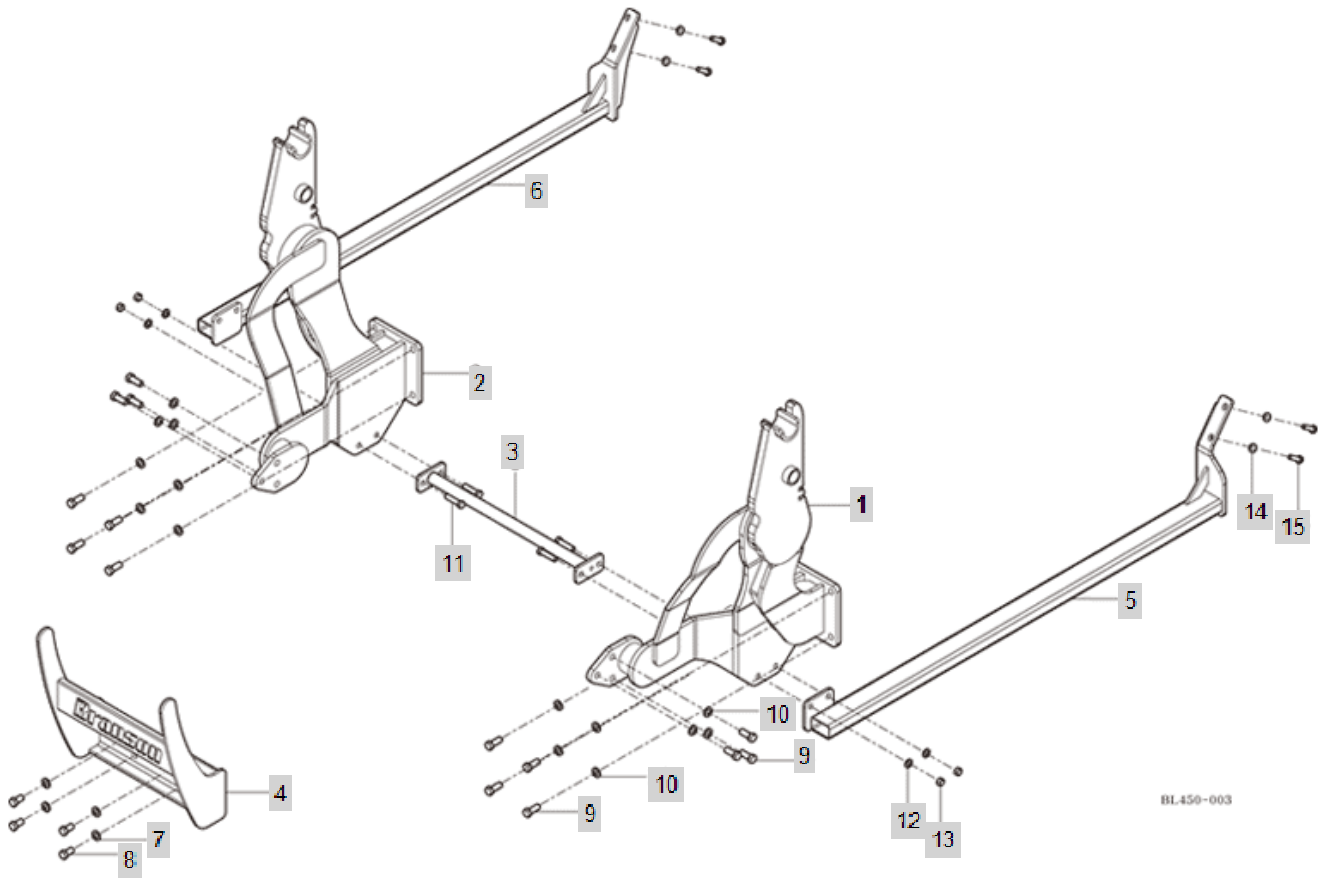


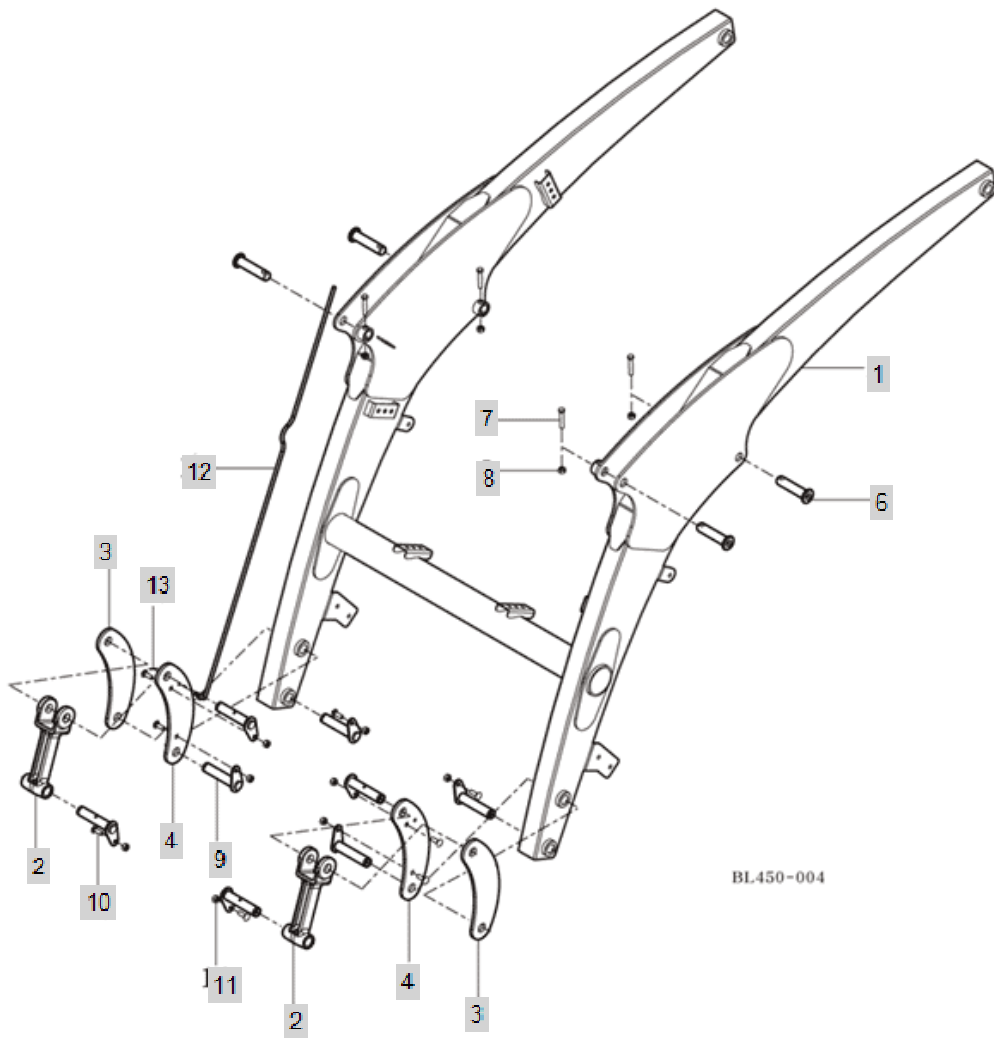
FIG A004-1

BOOM ASS'Y (2018.11~)

Year/Month

BL450

2020/02



BL450-004

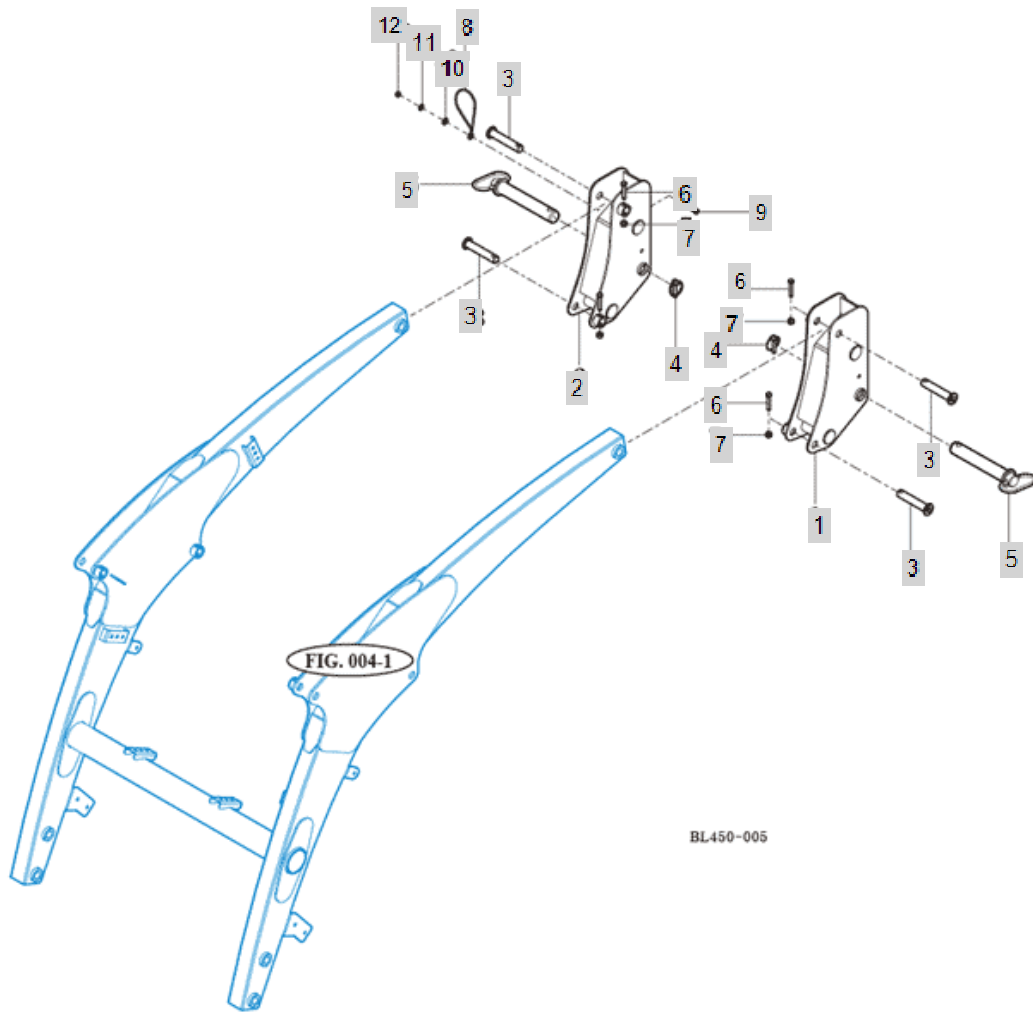
FIG A005-1

POST ASSEMBLY (2018.11~)

Year/Month

BL450

2020/02



BL450-005

FIG A006-1

STAND (2018.11~)

Year/Month

BL450

2020/02

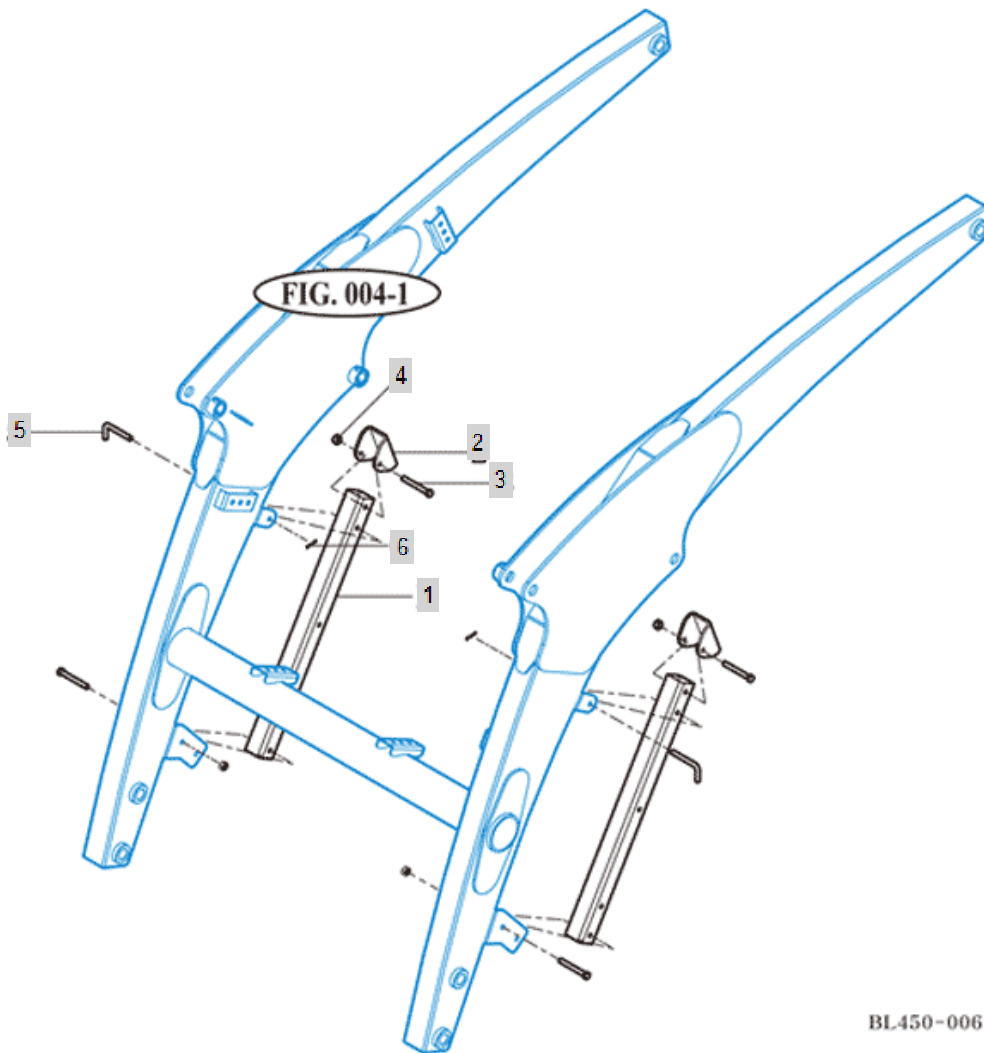


FIG A007-1

LOADER VALVE (2018.11~)

Year/Month

BL450

2020/02

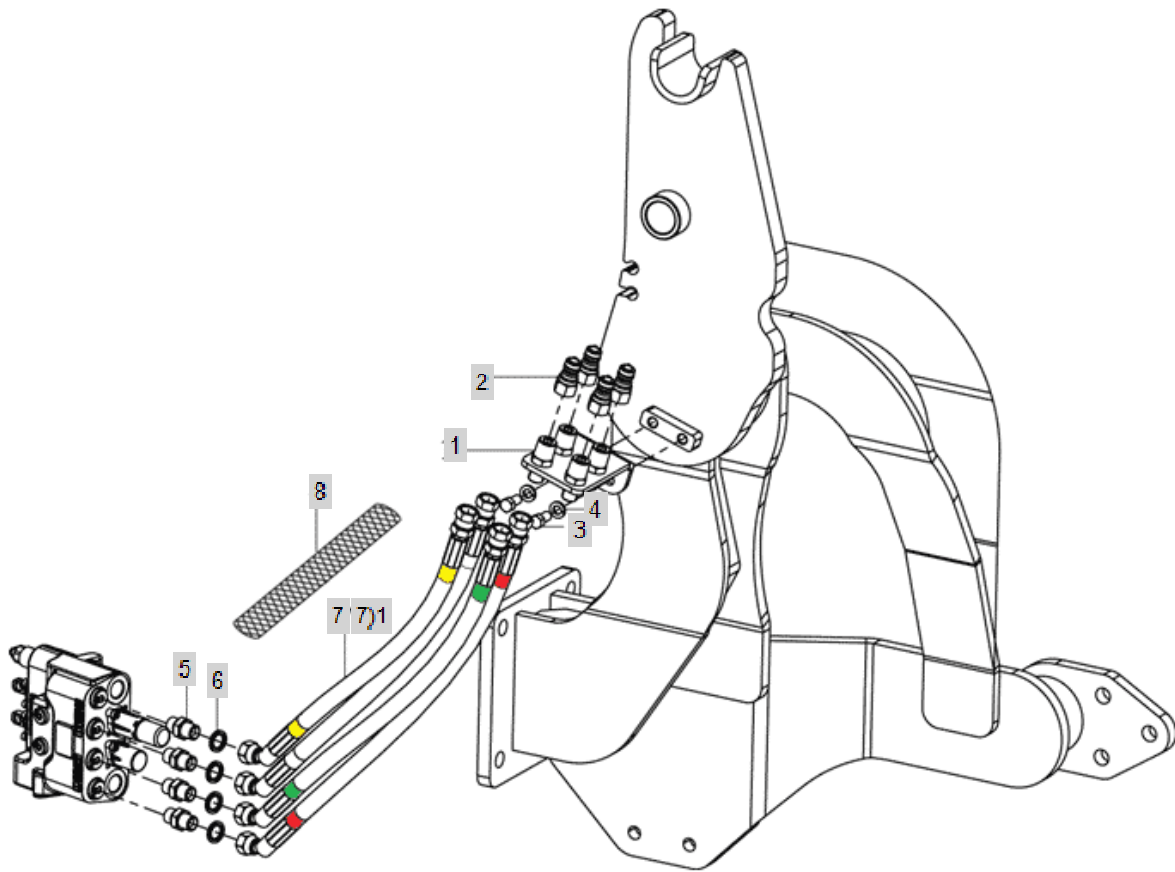


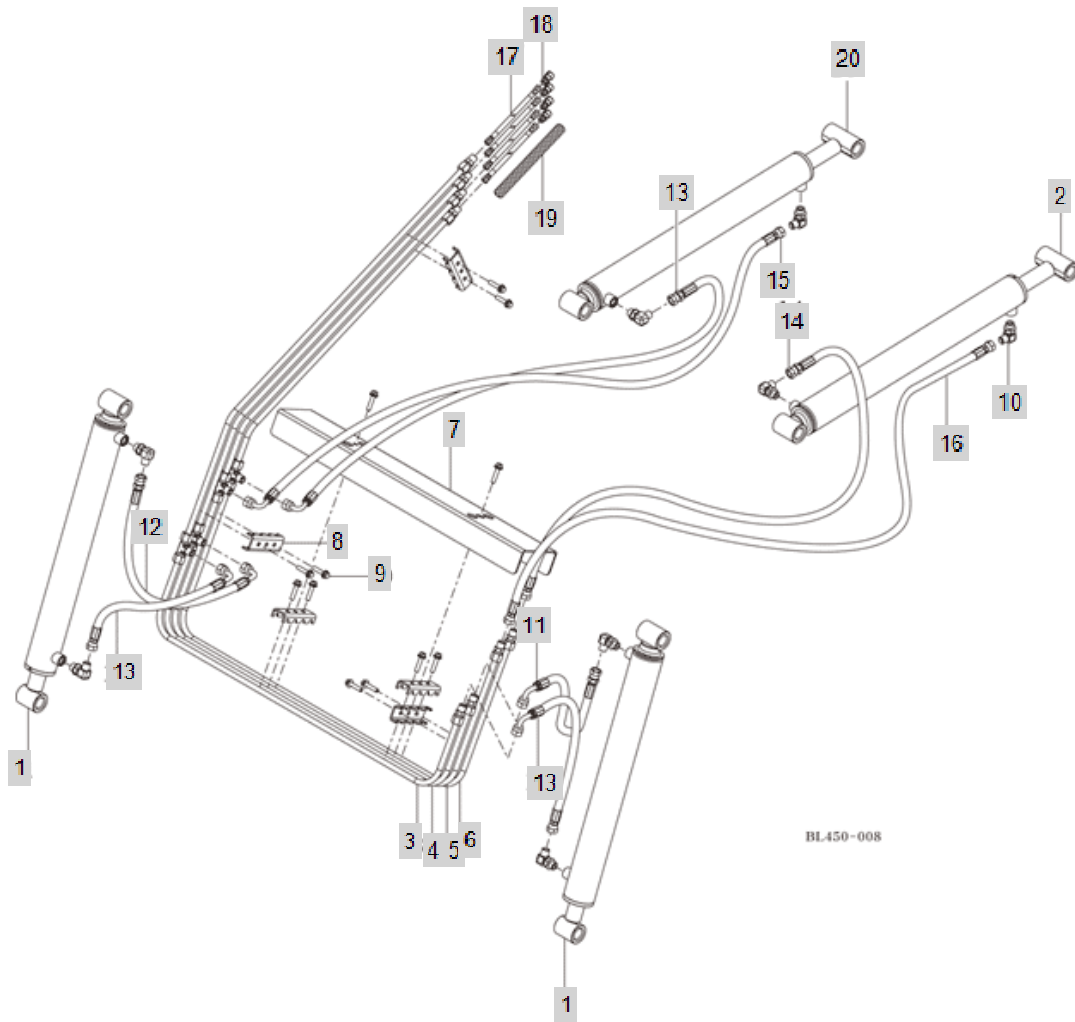
FIG A008-1

BL450

HYDRAULIC ASSEMBLY (2018.11~)

Year/Month

2020/02



BL450-008

FIG A009-1

BUCKET CYLINDER (2018.11~)

Year/Month

BL450

2020/02

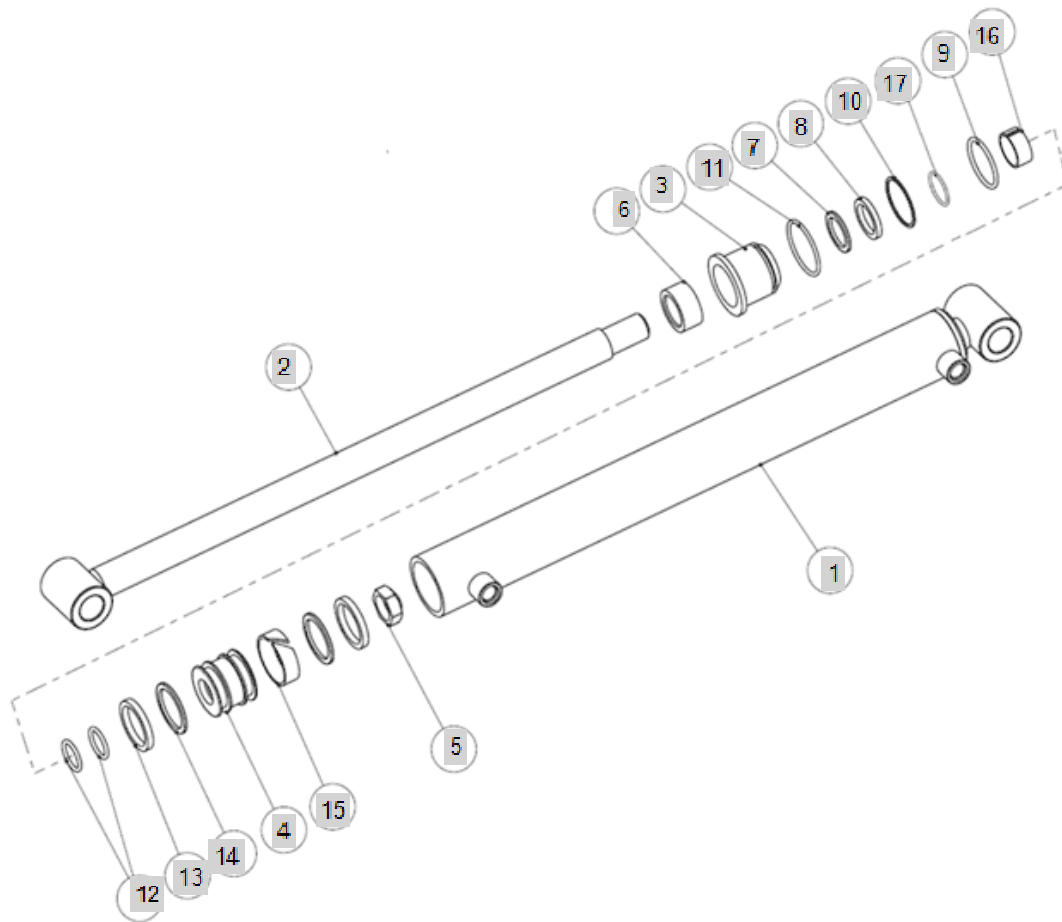


FIG A010-1

BOOM CYLINDER(2018.11~)

Year/Month

BL450

2020/02

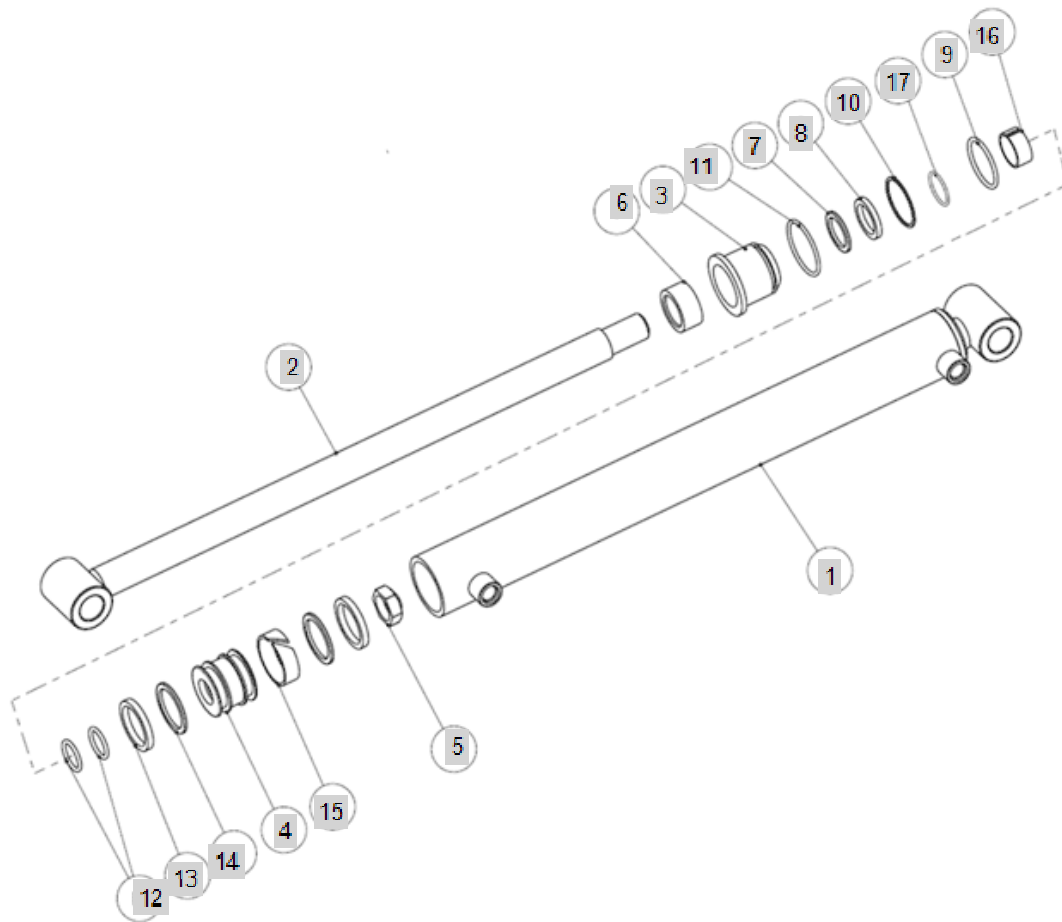


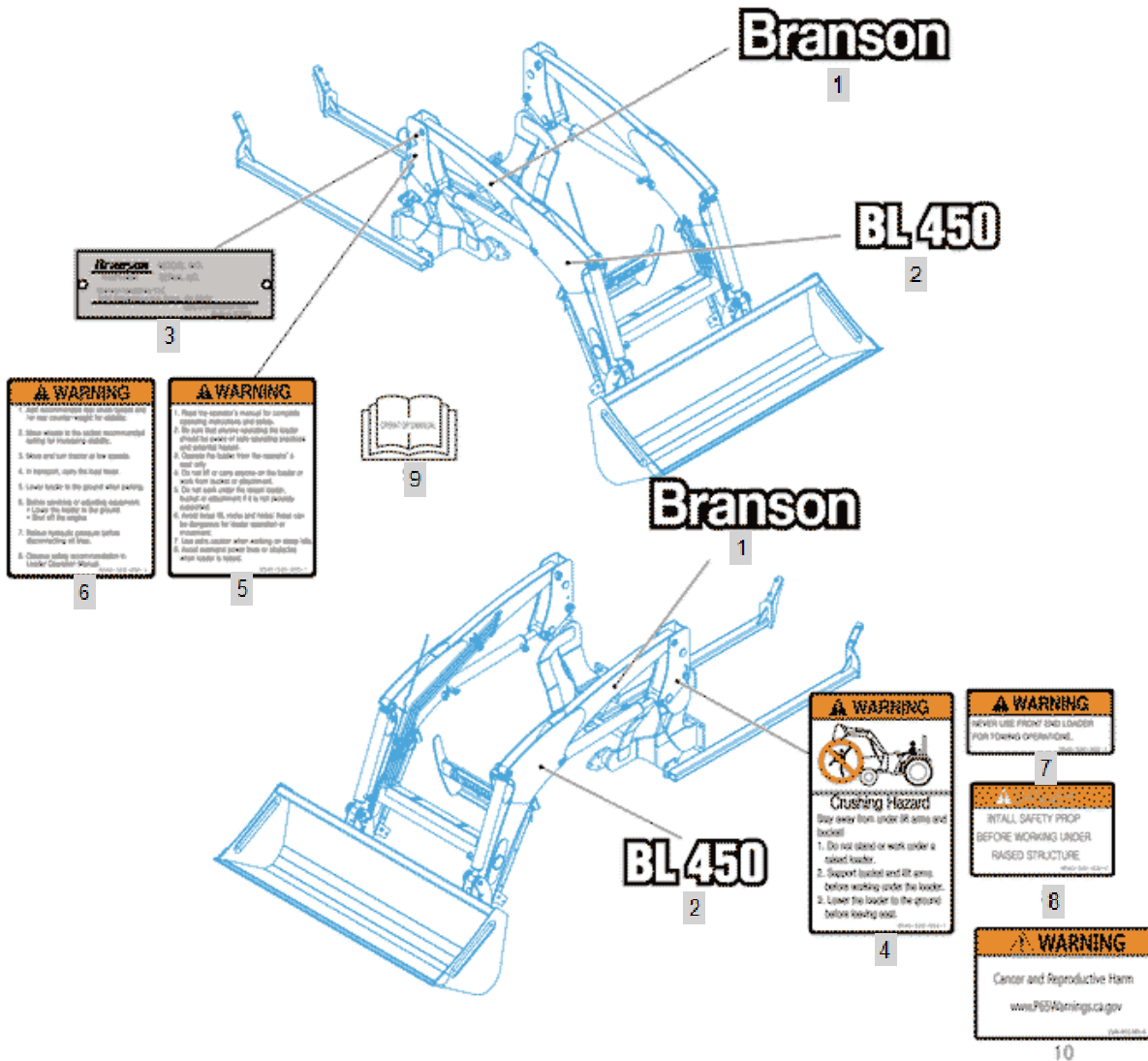
FIG A011-1

DECAL (2018.11~)

Year/Month

BL450

2020/02



WARNING
 For rear counterweight stability:
 1. Never operate on this loader recommended lifting for maximum stability.
 2. Never and turn driver or tow boards.
 3. In transport, raise the load level.
 4. Lower loader to the ground when parking.
 5. Before starting or refueling equipment:
 - Check the loader to be placed
 - Shut off the engine.
 6. Reduce hydraulic pressure before disconnecting all lines.
 7. Operator safety communication is Loader Operator Manual.
 (2018-11-01)

WARNING
 Pressing operator is required for correct operating instructions and safety.
 1. Do not work under the raised loader, bucket or attachment if it is not securely supported.
 2. Operate the loader from the operator's seat only.
 3. Do not sit or carry anyone on the loader or work from loader or attachment.
 4. Do not work under the raised loader, bucket or attachment if it is not securely supported.
 5. Avoid fork, lift, index and hoist. Be alert for dangerous for loader attachment or movement.
 6. Load with caution when working on steep hills.
 7. Avoid excessive power loss or discharge when loader is raised.
 (2018-11-01)



WARNING

Crushing Hazard
 Stay away from under lift arms and loader!
 1. Do not stand or work under a raised loader.
 2. Support loader and lift arms before working under the loader.
 3. Lower the loader to the ground before leaving seat.
 (2018-11-01)

WARNING
 NEVER USE FRONT END LOADER FOR FORKING OPERATIONS.
 (2018-11-01)

WARNING
 INSTALL SAFETY PROP BEFORE WORKING UNDER RAISED STRUCTURE.
 (2018-11-01)

WARNING
 Cancer and Reproductive Harm
www.P65Warnings.ca.gov
 (2018-11-01)

