

KUKJE BL30B Branson Loader

Parts Catalogue

FIG 001

BL30B

BOOM & BUCKET

Year/Month

2020/02

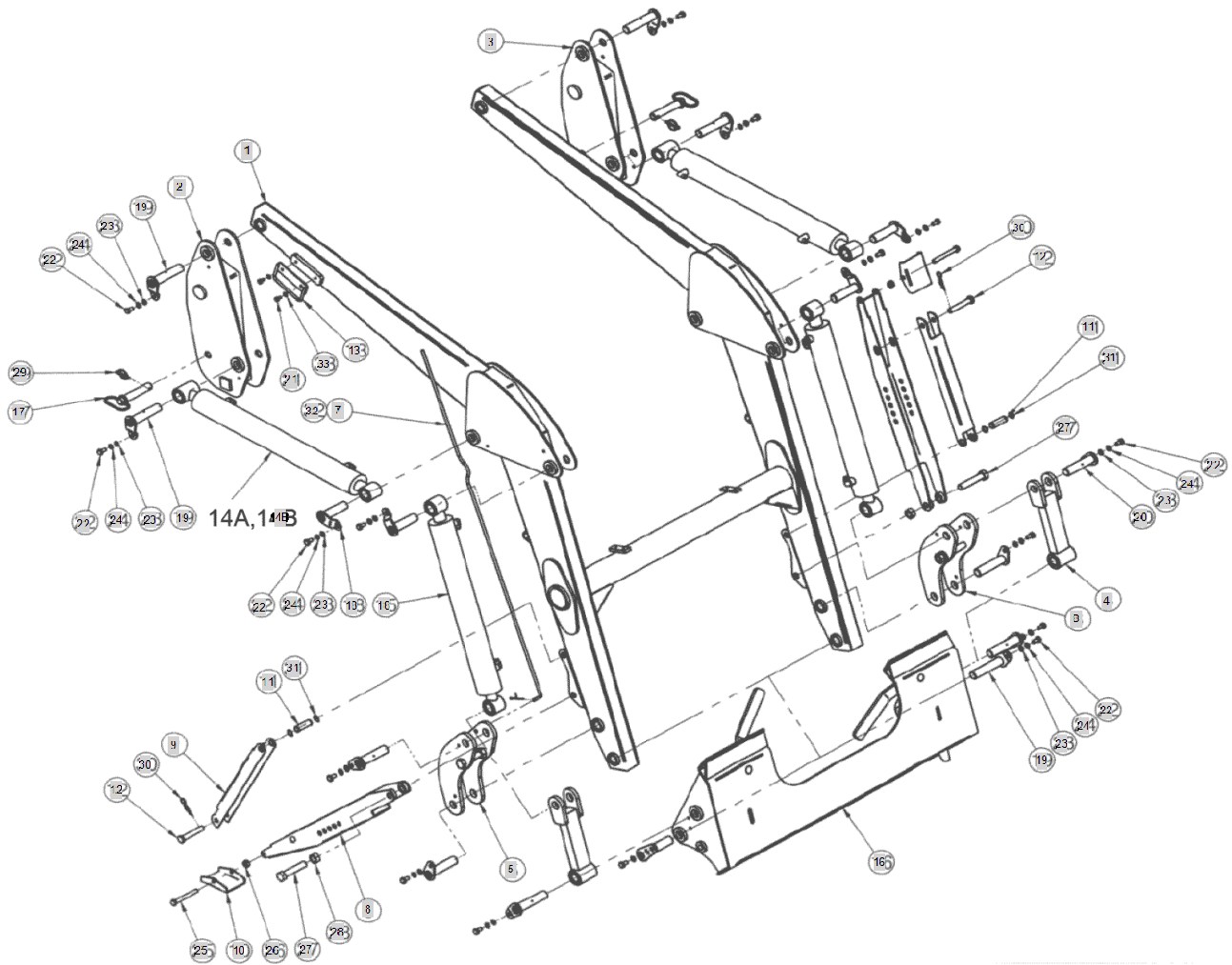


FIG 002

MOUNTING KIT

Year/Month

BL30B

2020/02

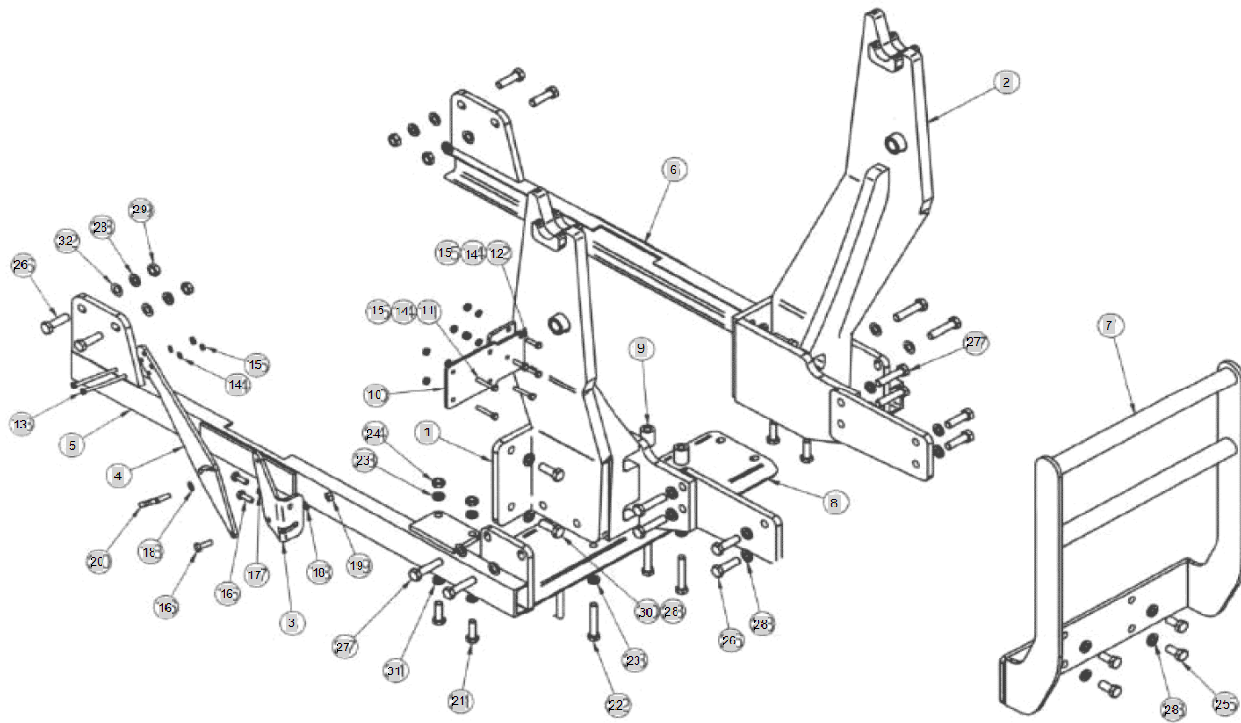


FIG 004

BUCKET

Year/Month

BL30B

2020/02

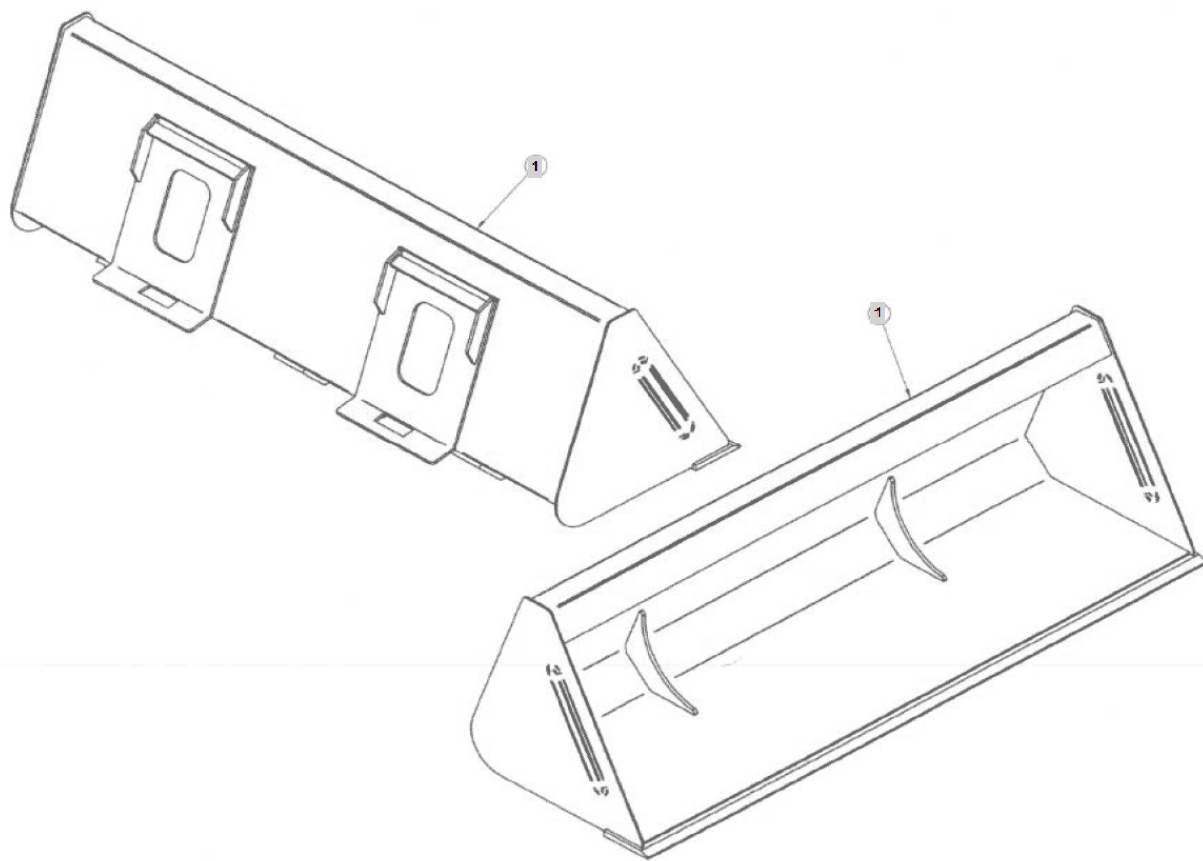


FIG 005

ATTACHMENT

Year/Month

BL30B

2020/02

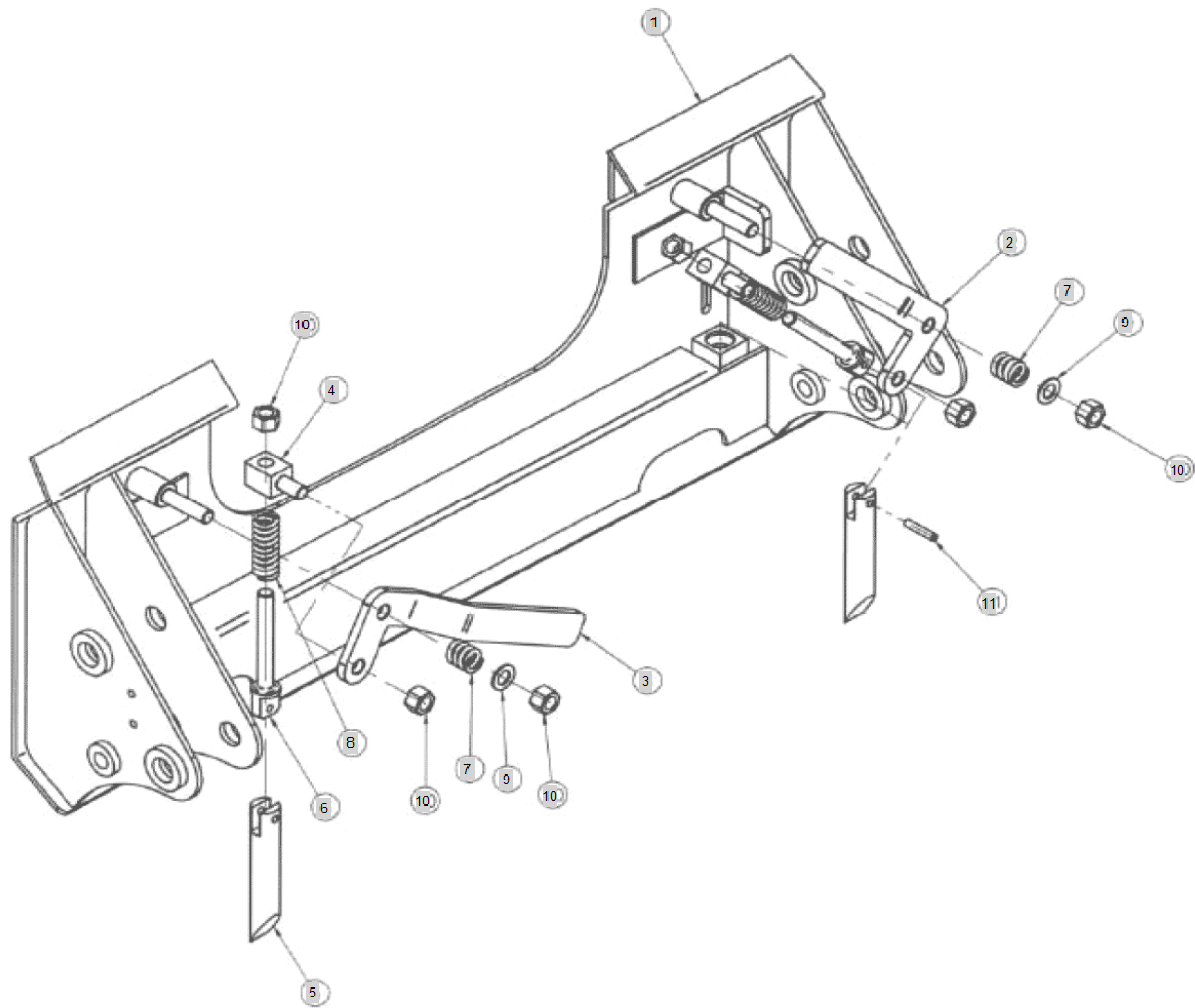


FIG 006

HYDRAULIC PART (OLD VERSION)

Year/Month

BL30B

2020/02

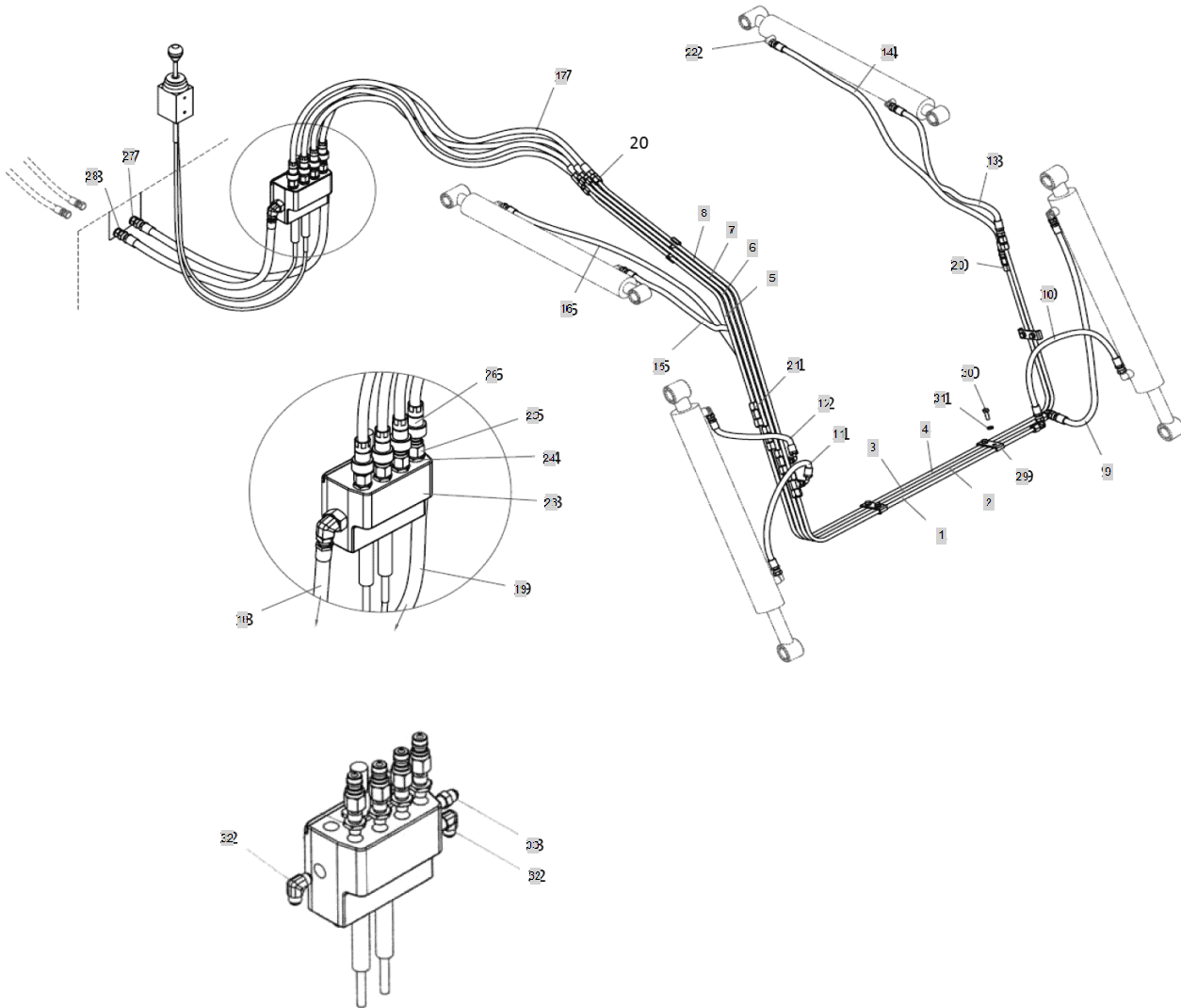


FIG 008

CYLINDER

Year/Month

BL30B

2020/02

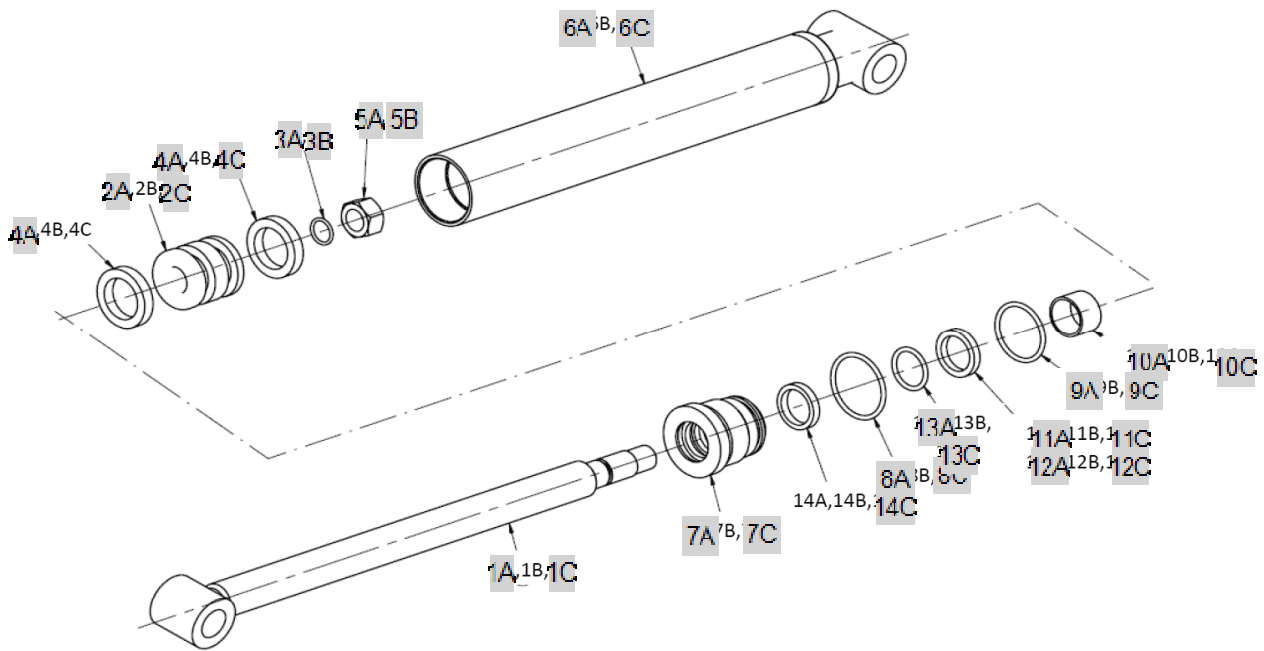


FIG 009

DECAL & MANUAL

Year/Month

BL30B

2020/02

