

KUKJE BL200SL Branson Loader

Parts Catalogue

FIG A001-1

BUCKET(2018.09~)

Year/Month

BL200SL

2020/02

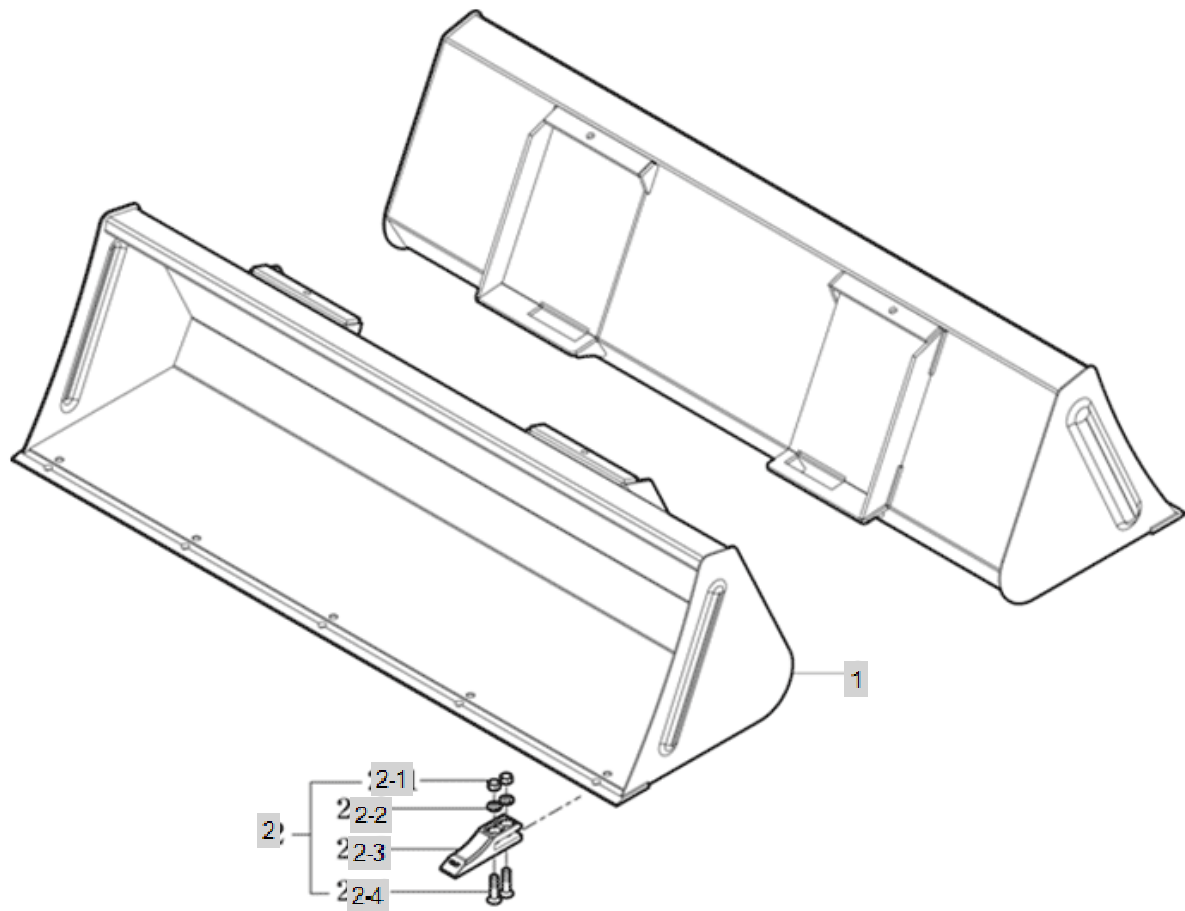


FIG A002-1

QUICK ATTACH ASS'Y(2018.09~)

Year/Month

BL200SL

2020/02

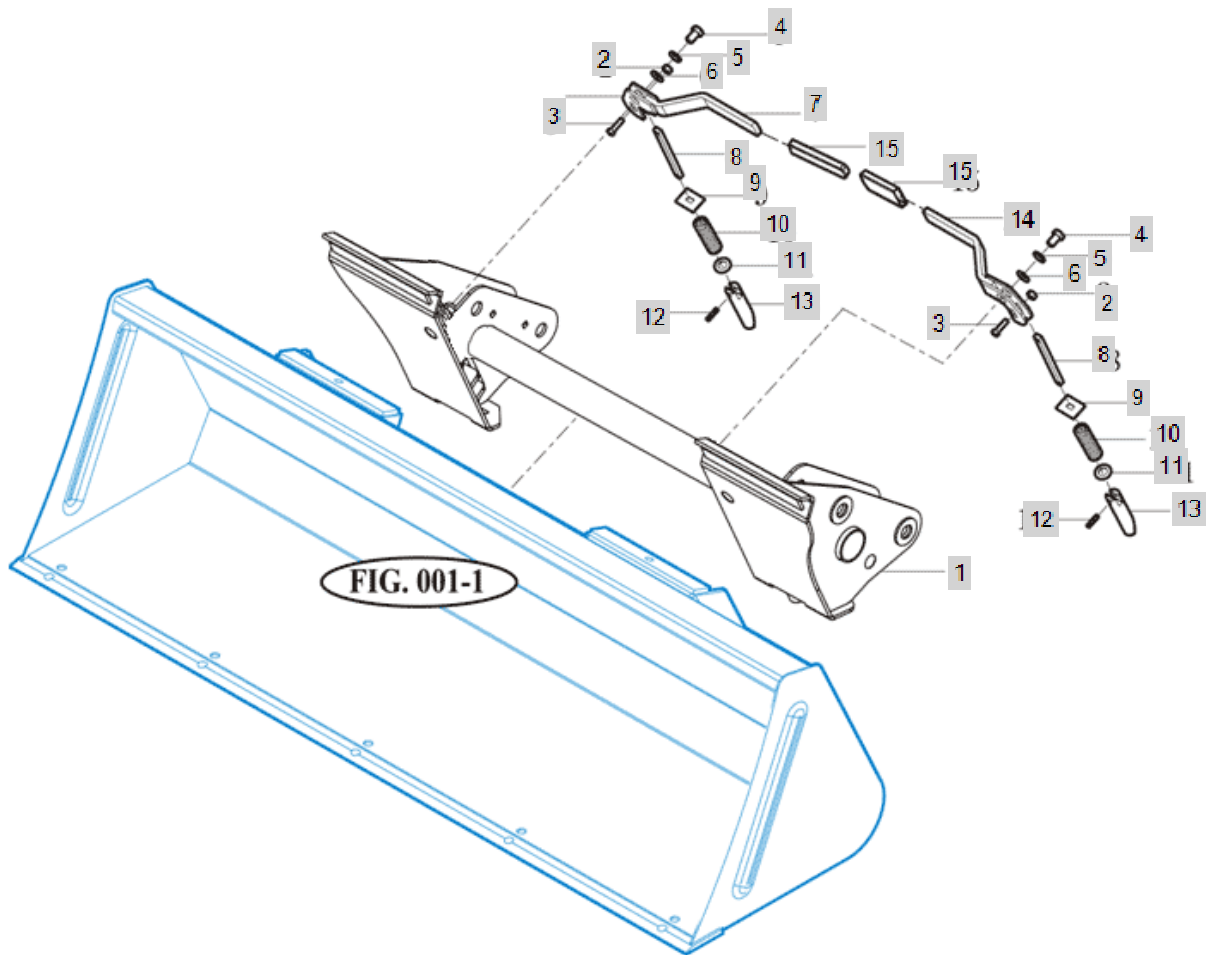


FIG A003-1

MOUNTING FRAME ASS'Y(2018.09~)

Year/Month

BL200SL

2020/02

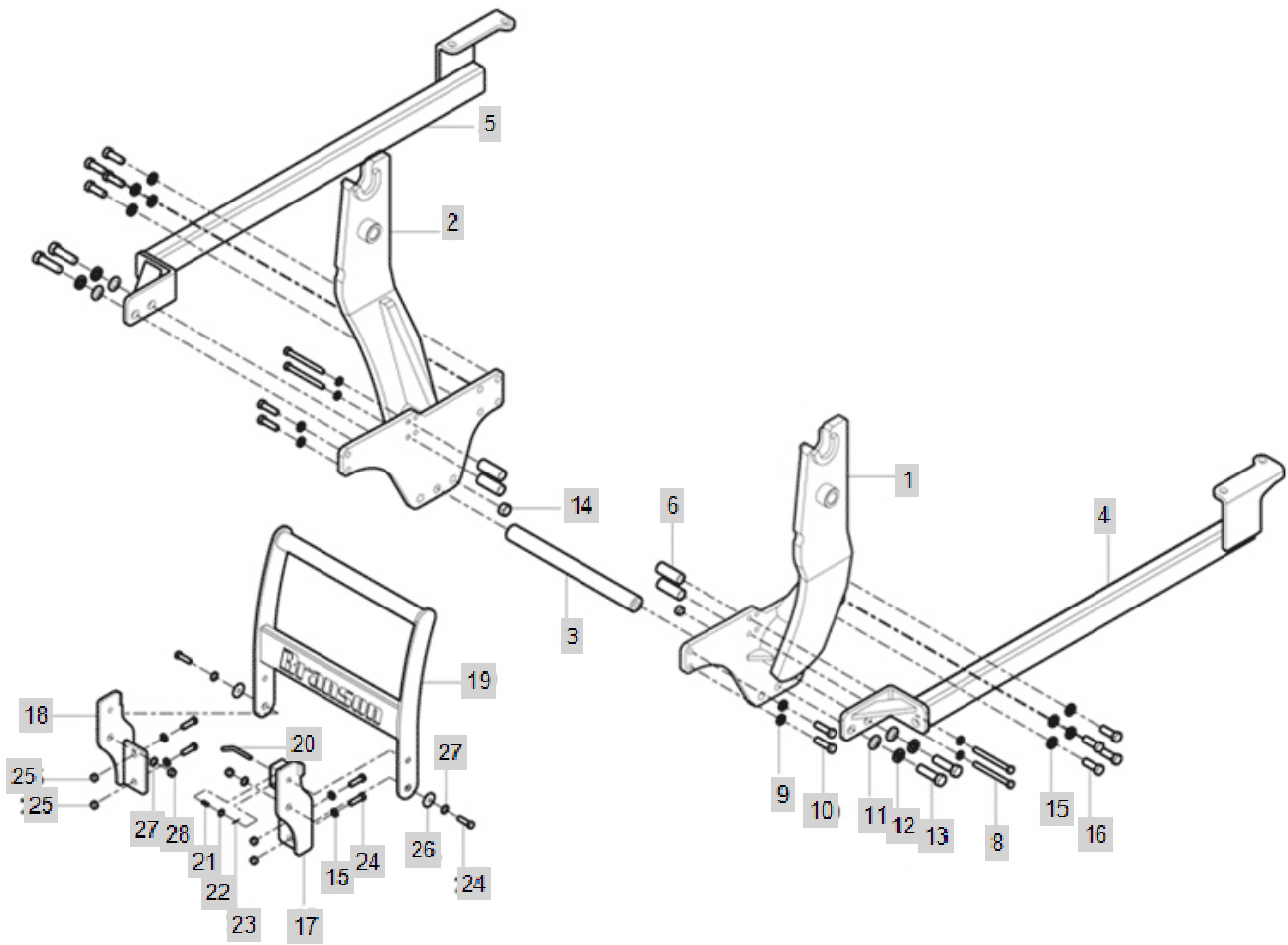


FIG A004-1

BOOM ASS'Y(2018.09~)

Year/Month

BL200SL

2020/02

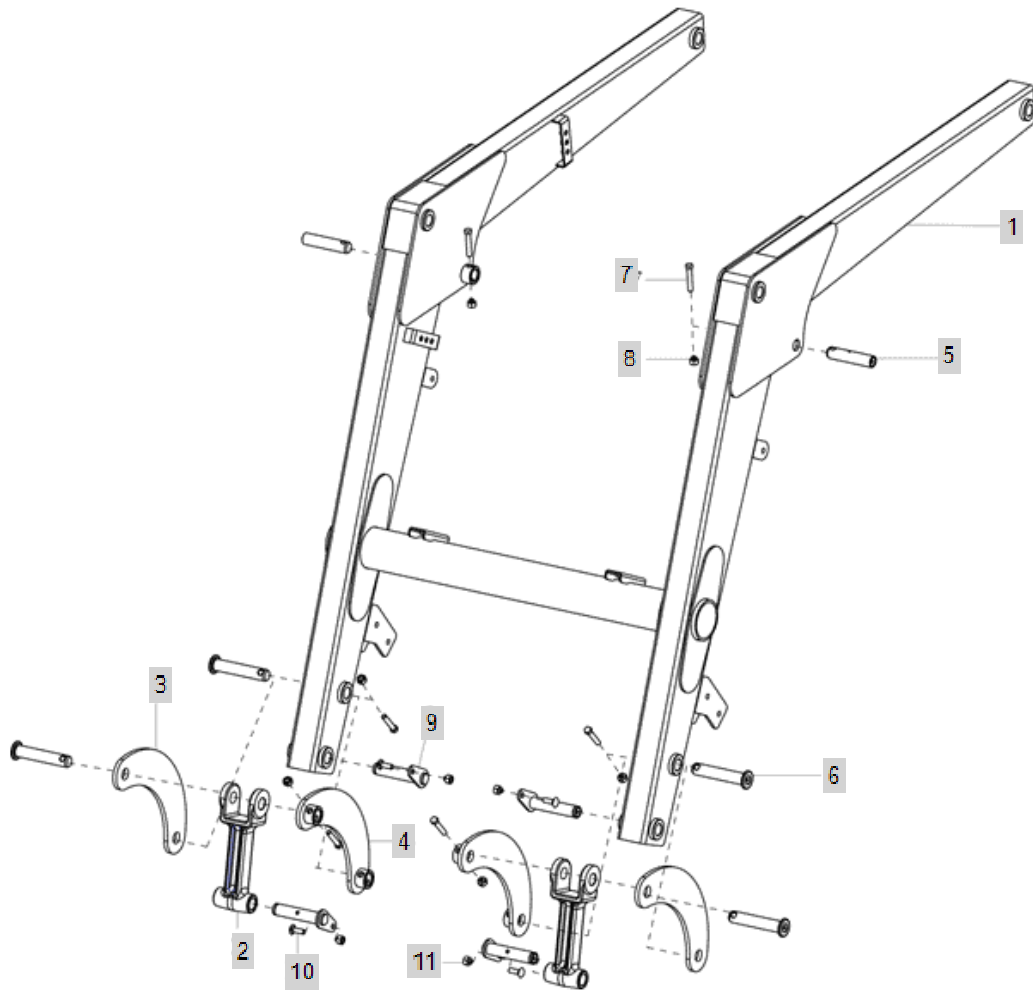


FIG A005-1

POST & SELF LEVELING LINK (2018.09~)

Year/Month

BL200SL

2020/02

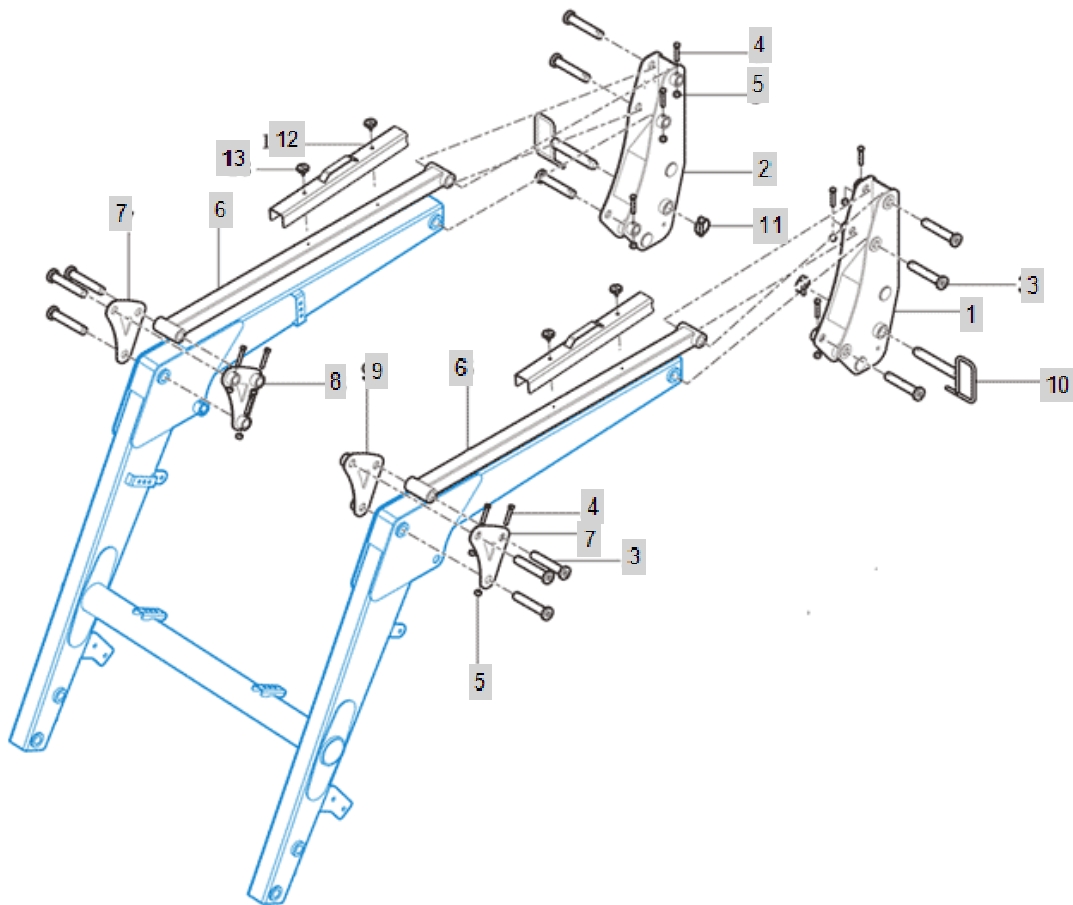


FIG A006-1

STAND ASSEMBLY(2018.09~)

Year/Month

BL200SL

2020/02

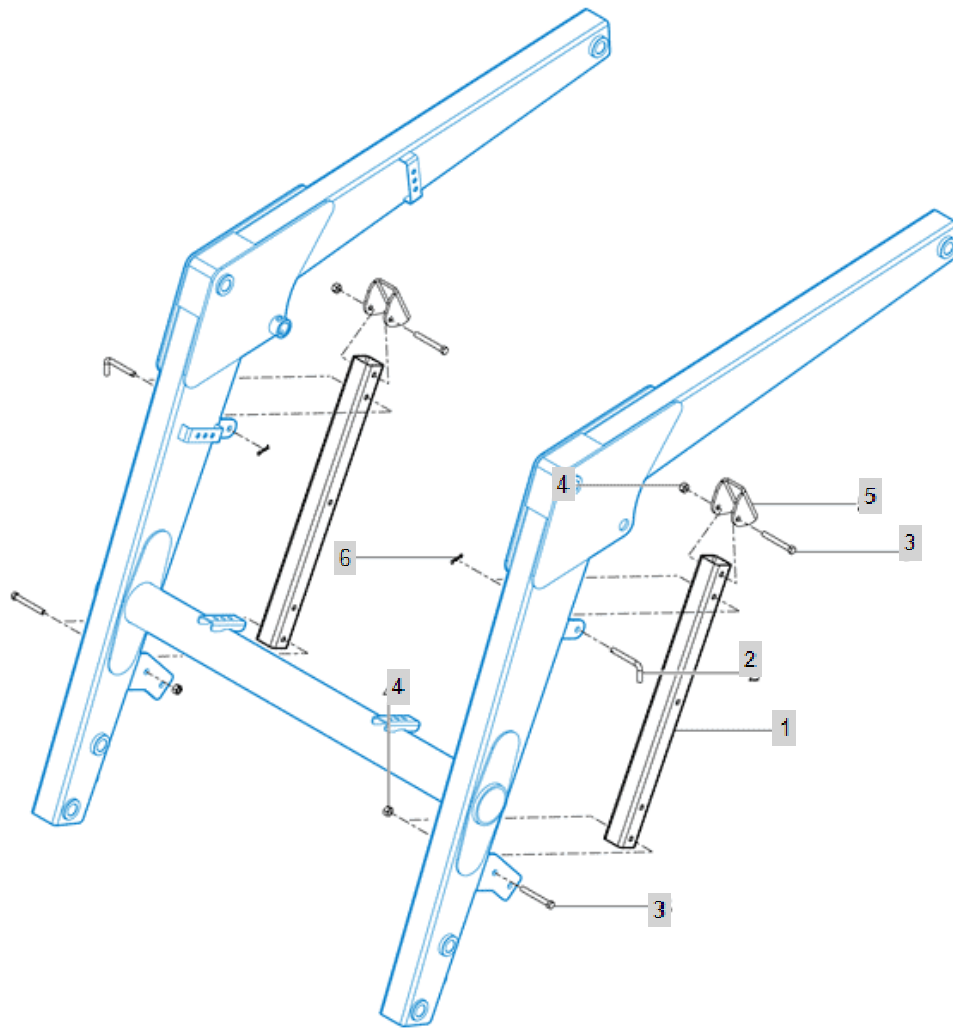


FIG A007-1

LOADER VALVE(2018.09~)

Year/Month

BL200SL

2020/02

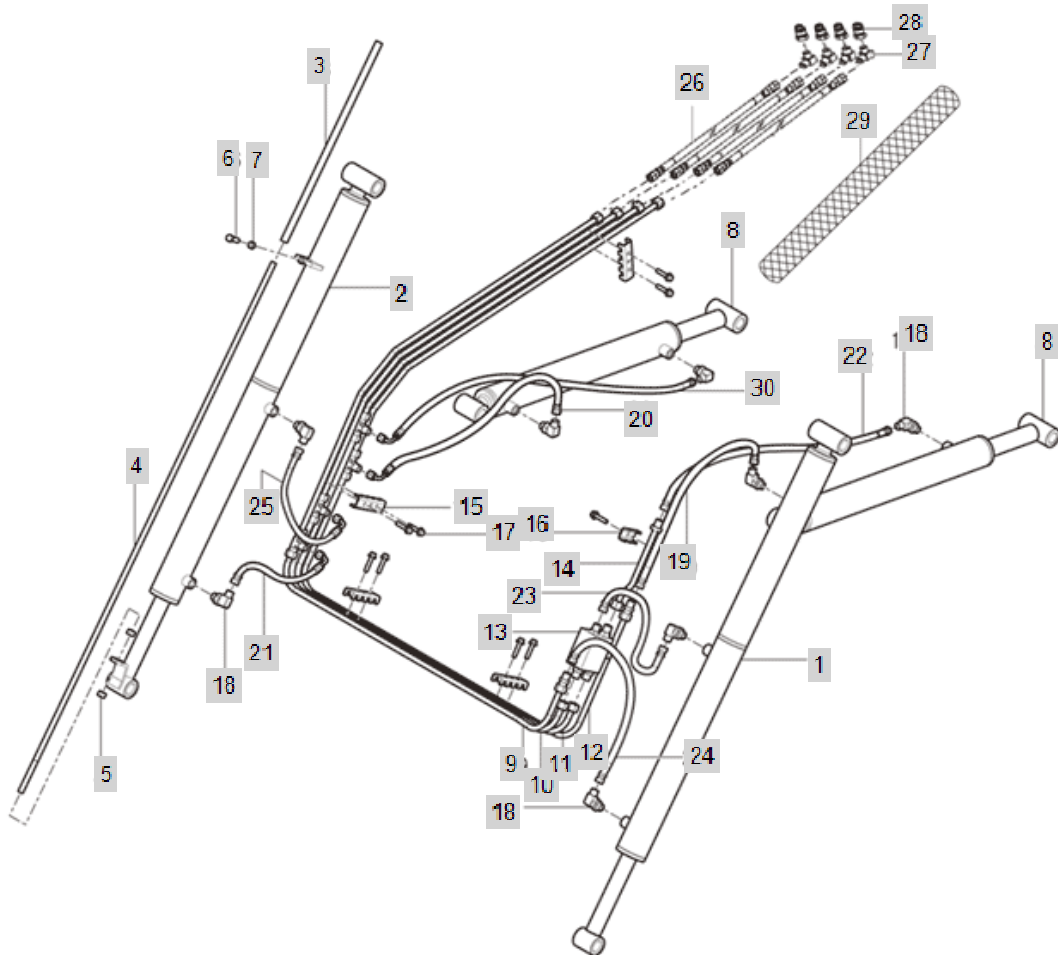


FIG A007-2

LOADER VALVE(2019.10~)

Year/Month

BL200SL

2020/02

FIG 007
BL200SL

HYDRAULIC ASSEMBLY

P1

Year / Month

2019 / 10

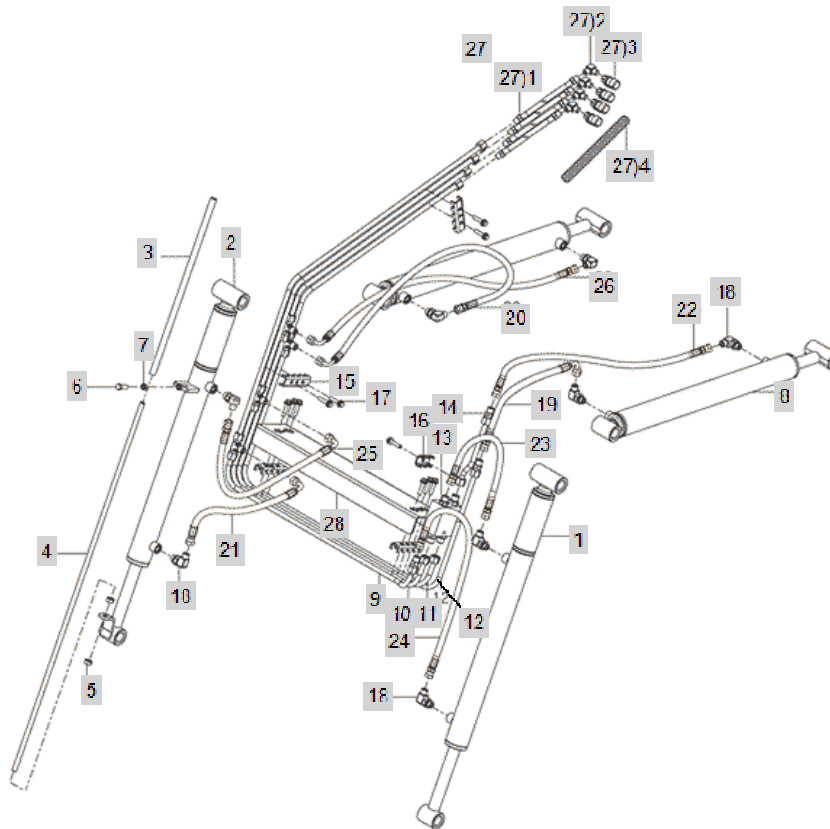


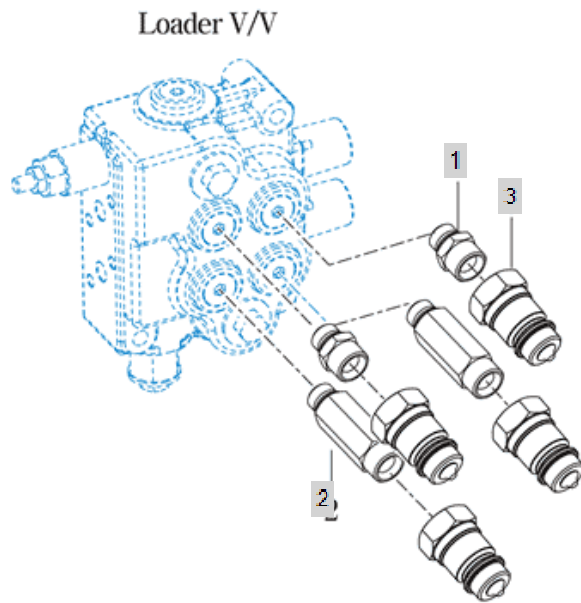
FIG A008-1

HYDRAULIC ASSEMBLY(2018.09~)

Year/Month

BL200SL

2020/02



GK25R-K-007

FIG A009-1

BUCKET CYLINDER(2018.09~)

Year/Month

BL200SL

2020/02

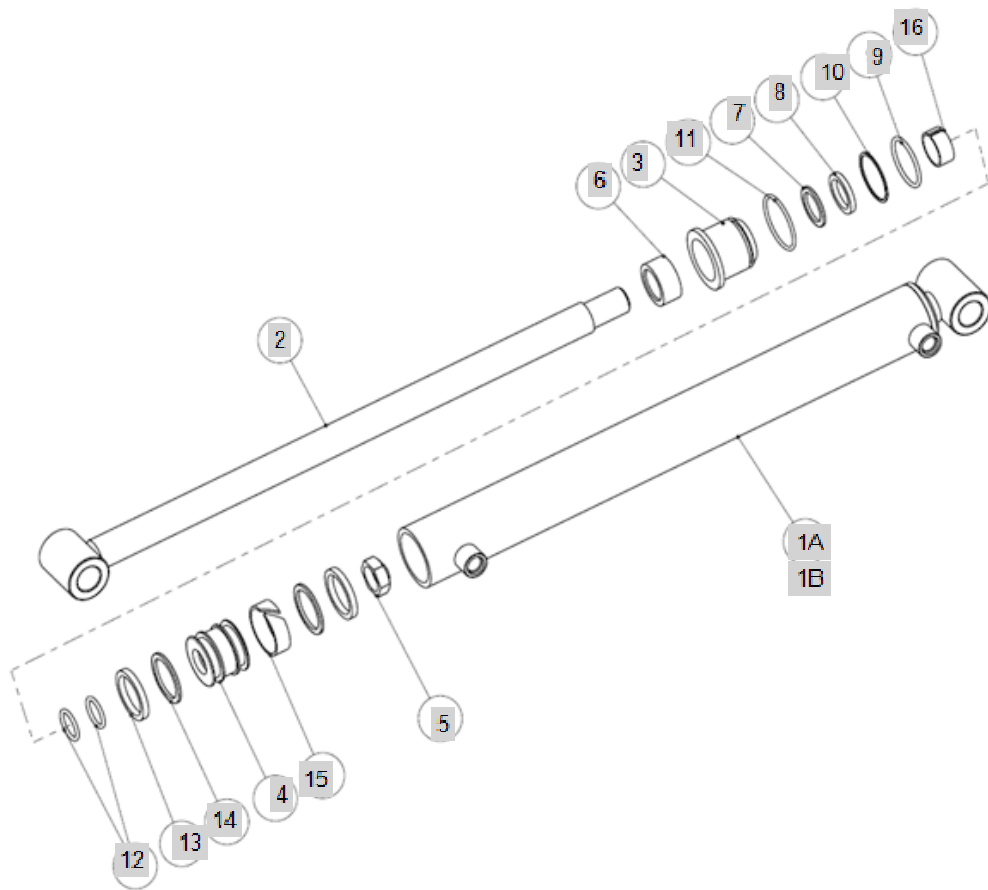


FIG A010-1

BOOM CYLINDER(2018.09~)

Year/Month

BL200SL

2020/02

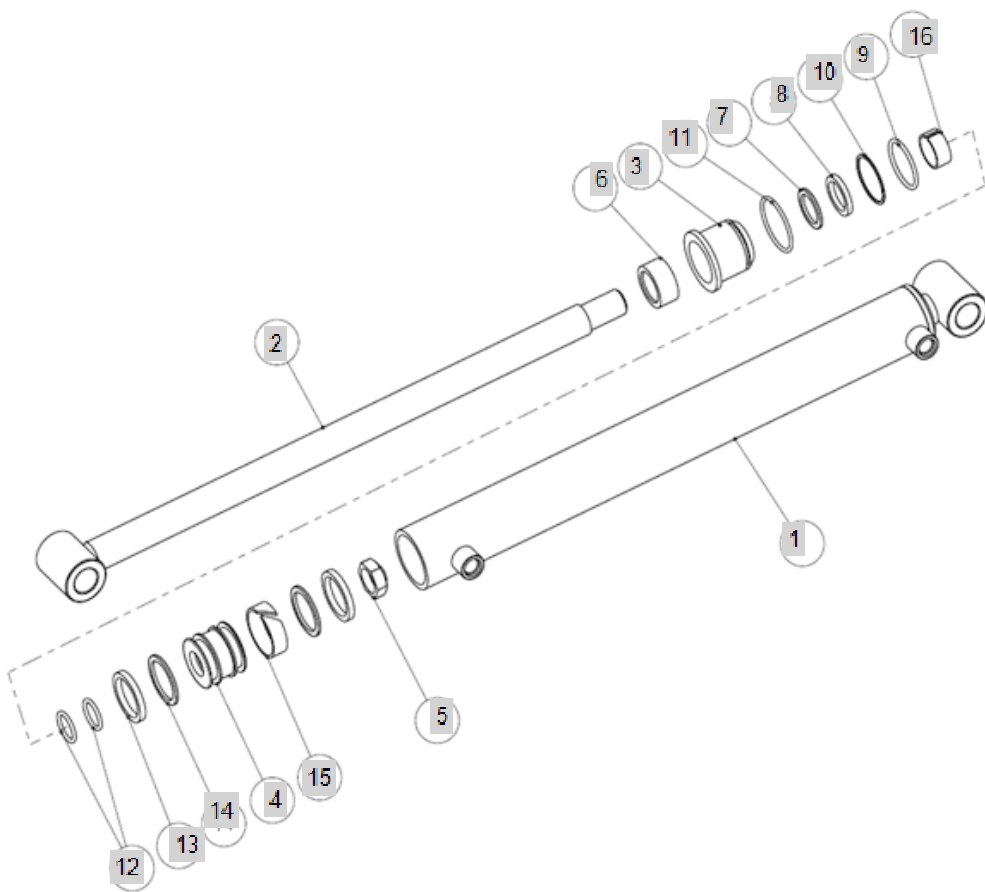


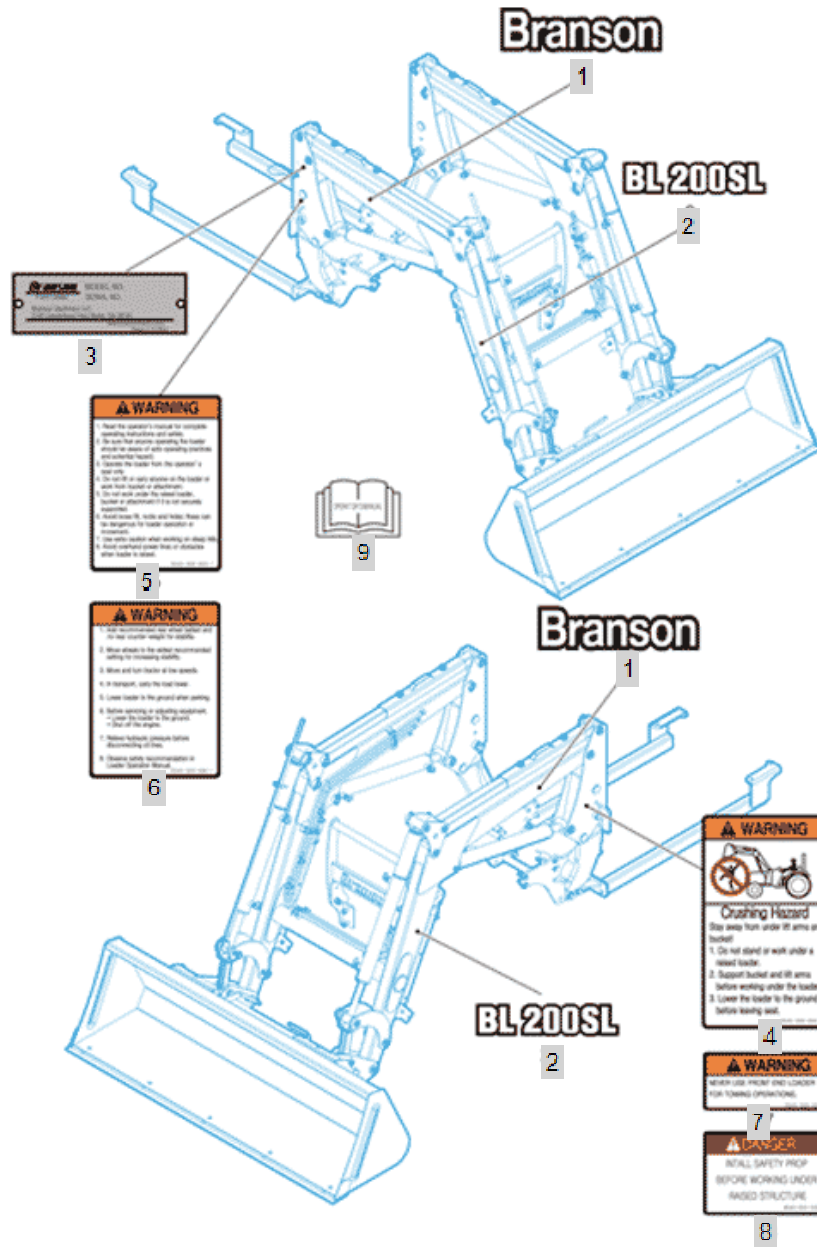
FIG A011-1

BL200SL

DECAL(2018.09~)

Year/Month

2020/02



<p>FIG A011-2 BL200SL</p>	<p>DECAL(2019.10~)</p>	<p>Year/Month 2020/02</p>
-------------------------------	------------------------	-------------------------------

<p>FIG 011 BL200SL</p>	<p>DECAL</p>	<p>P1</p>	<p>Year / Month 2019 / 10</p>	
----------------------------	--------------	-----------	-----------------------------------	---

