

# KUKJE BL20 Branson Loader

## Parts Catalogue



FIG 001

BOOM & BUCKET

Year/Month

BL20

2020/02

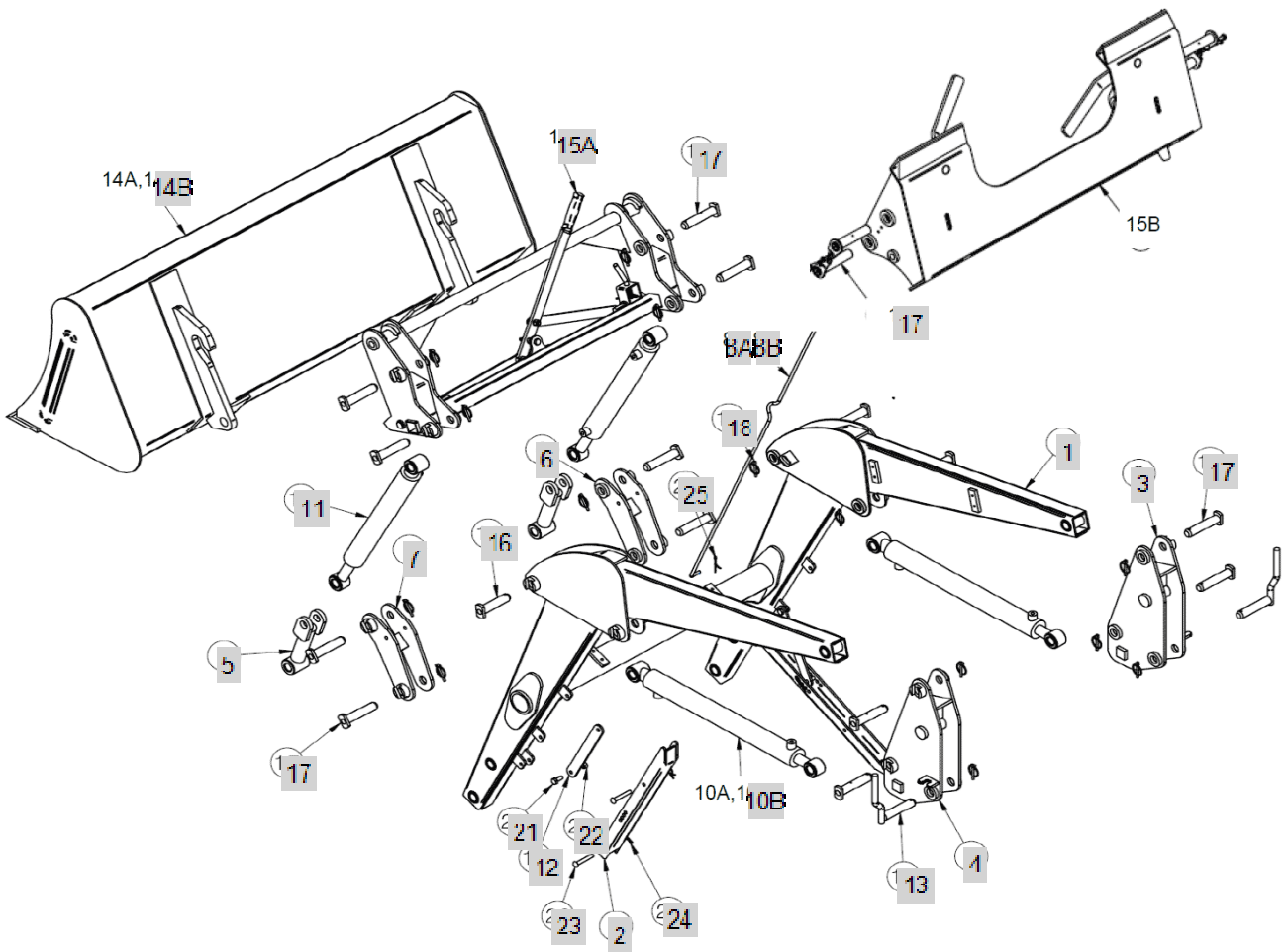




FIG 006

MOUNTING KIT

Year/Month

BL20

2020/02

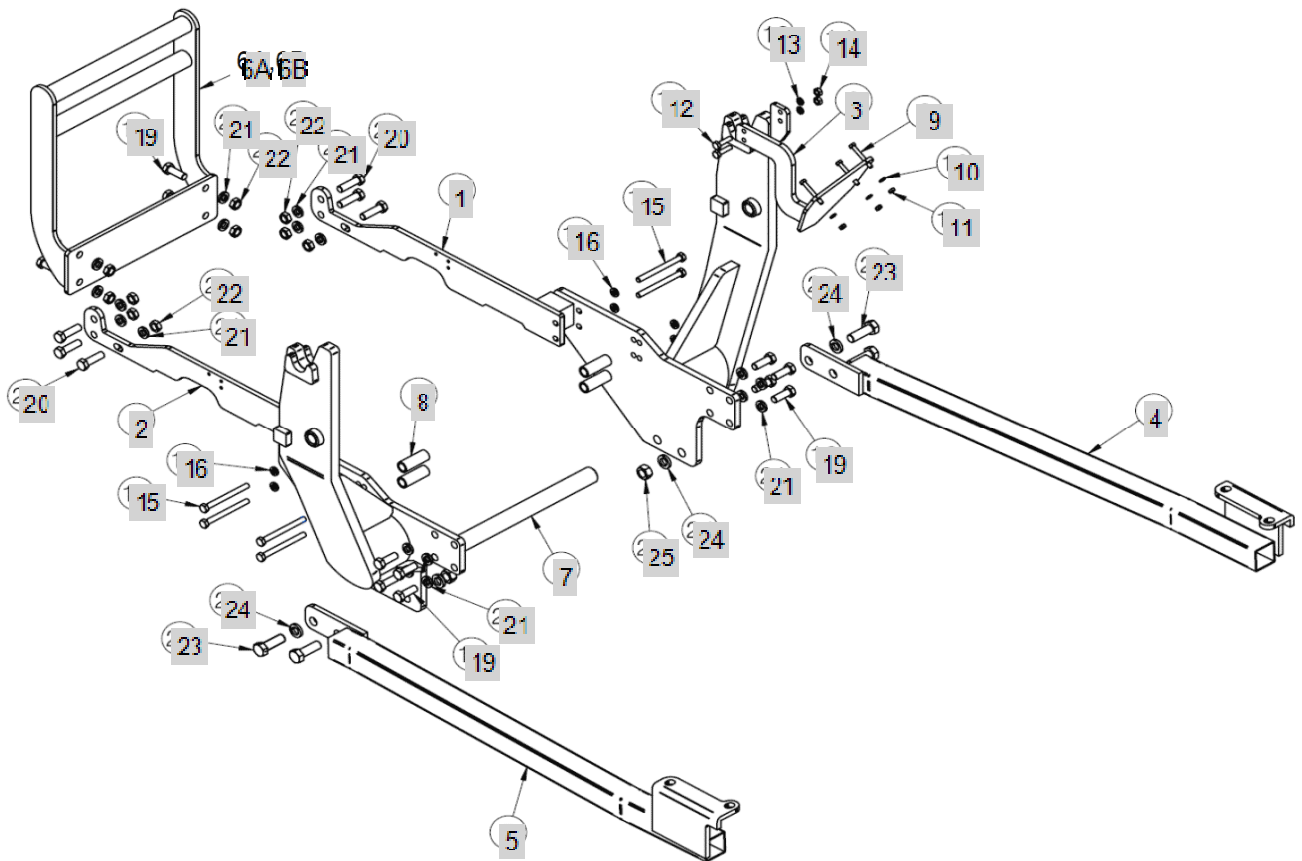




FIG 009

HYDRAULIC PARTS

Year/Month

BL20

2020/02

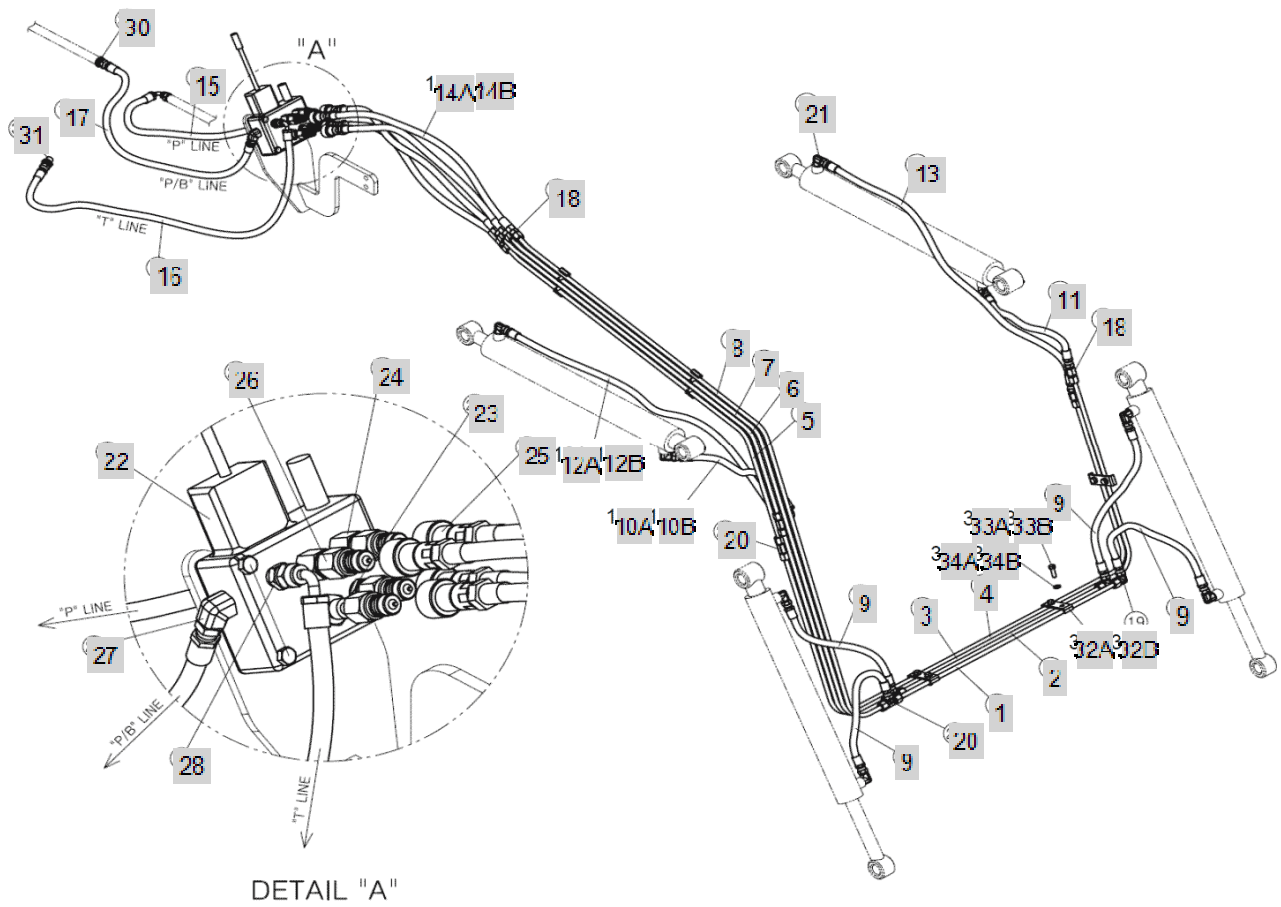






FIG 010

HYDRAULIC PARTS

Year/Month

BL20

2020/02

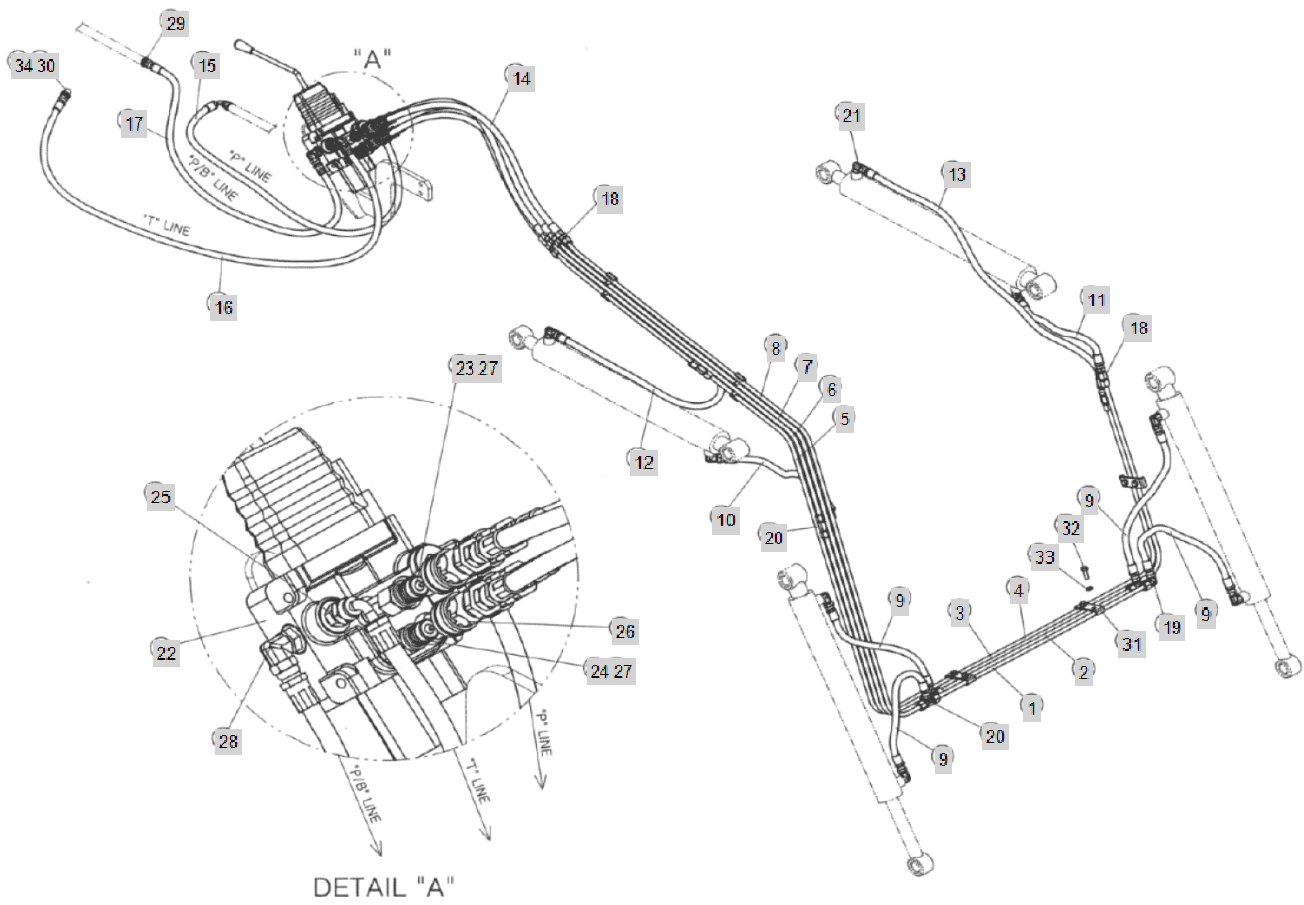




FIG 012

CYLINDER (BUCKET)

Year/Month

BL20

2020/02

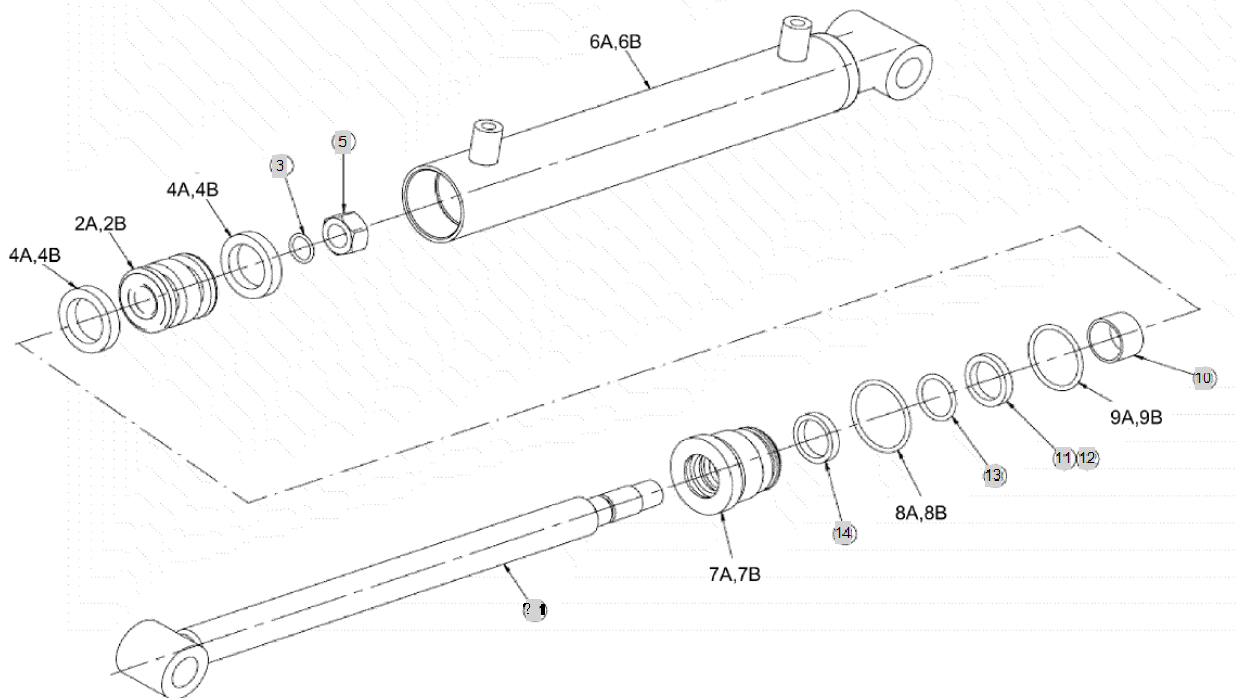




FIG 013

CYLINDER (BOOM)

Year/Month

BL20

2020/02

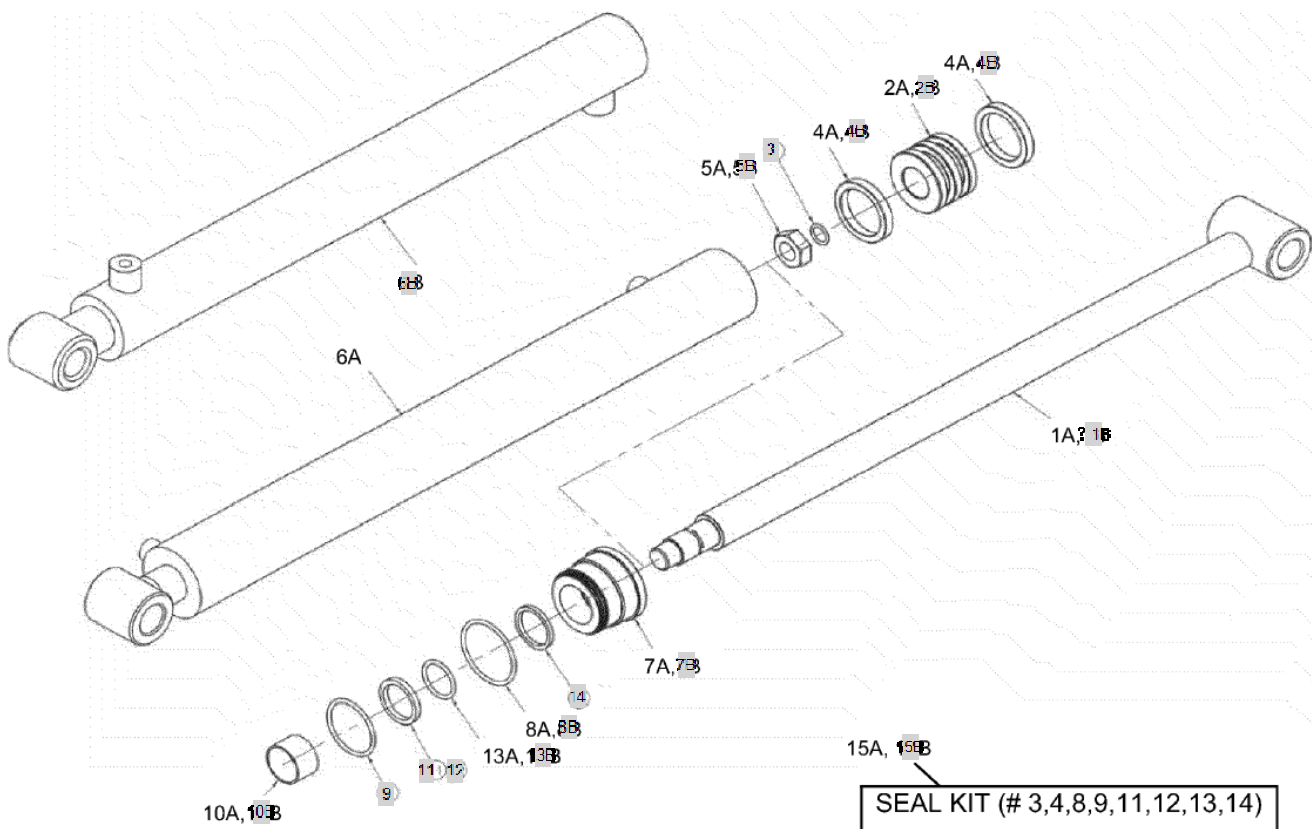




FIG 015

ATTACHMENT

Year/Month

BL20

2020/02

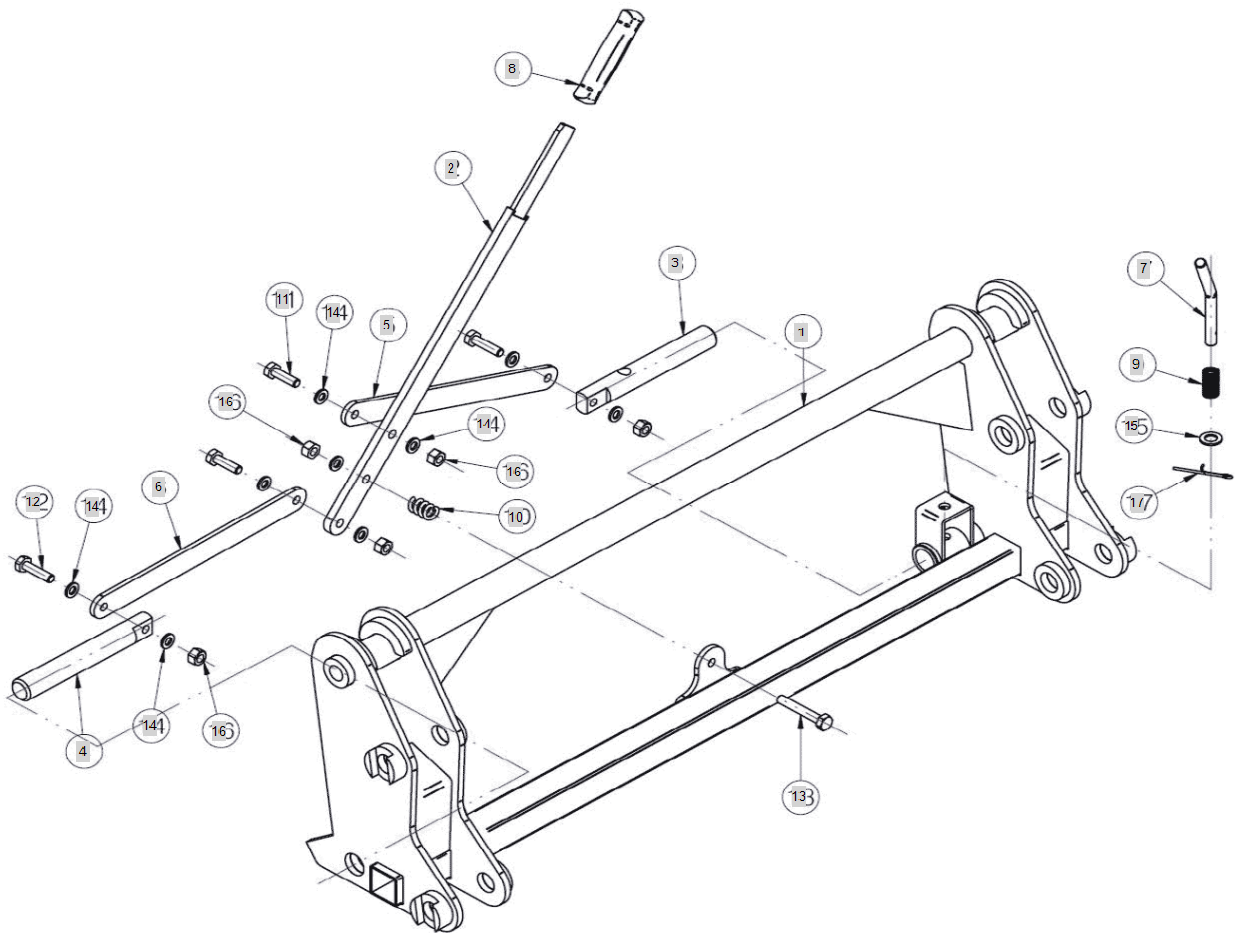






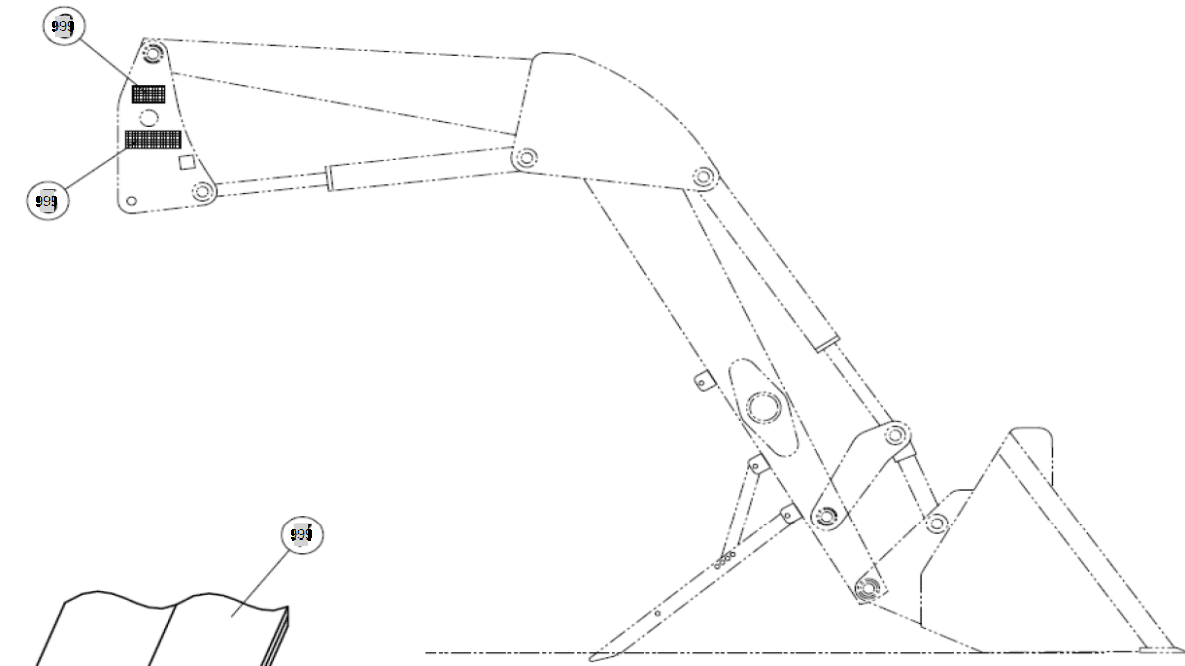
FIG 018

DECAL AND MANUAL

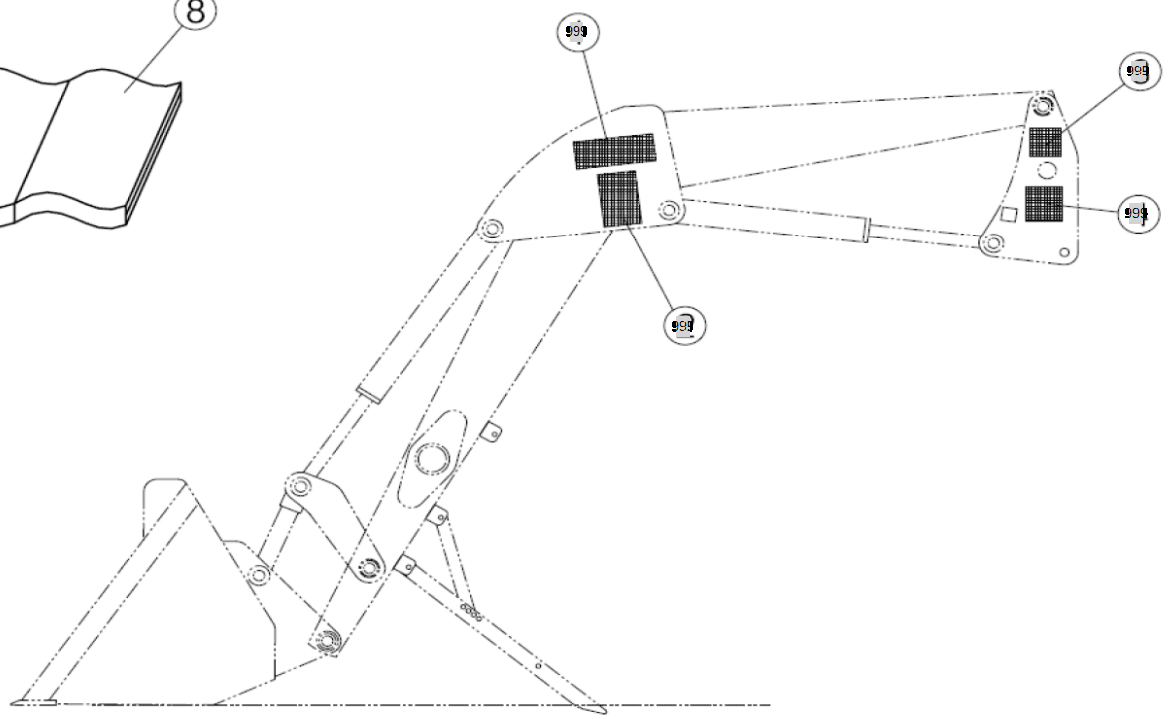
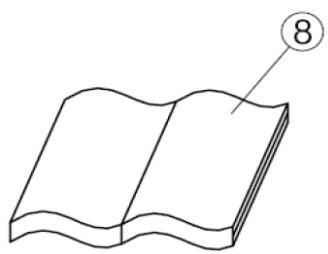
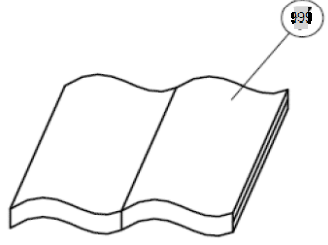
Year/Month

BL20

2020/02



RH.



LH.



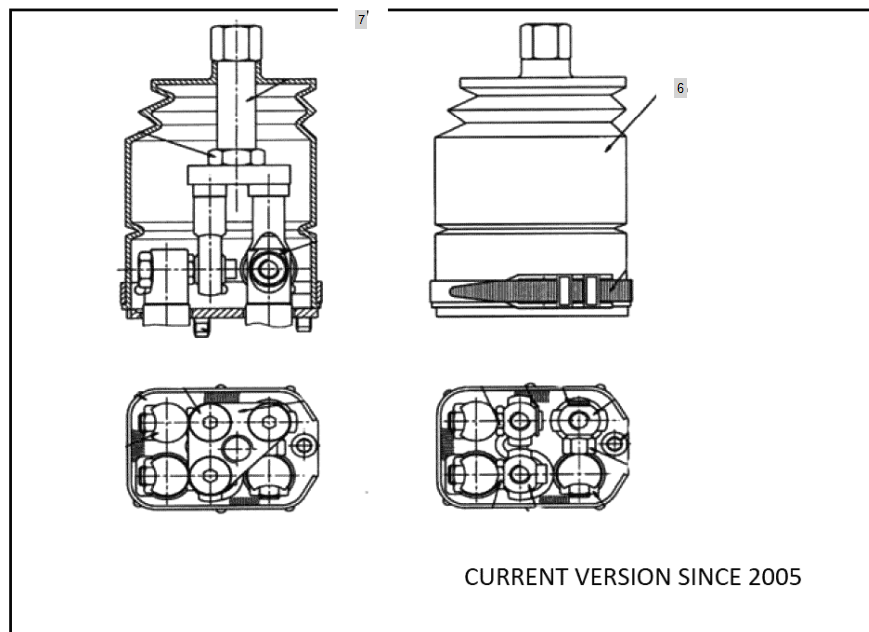
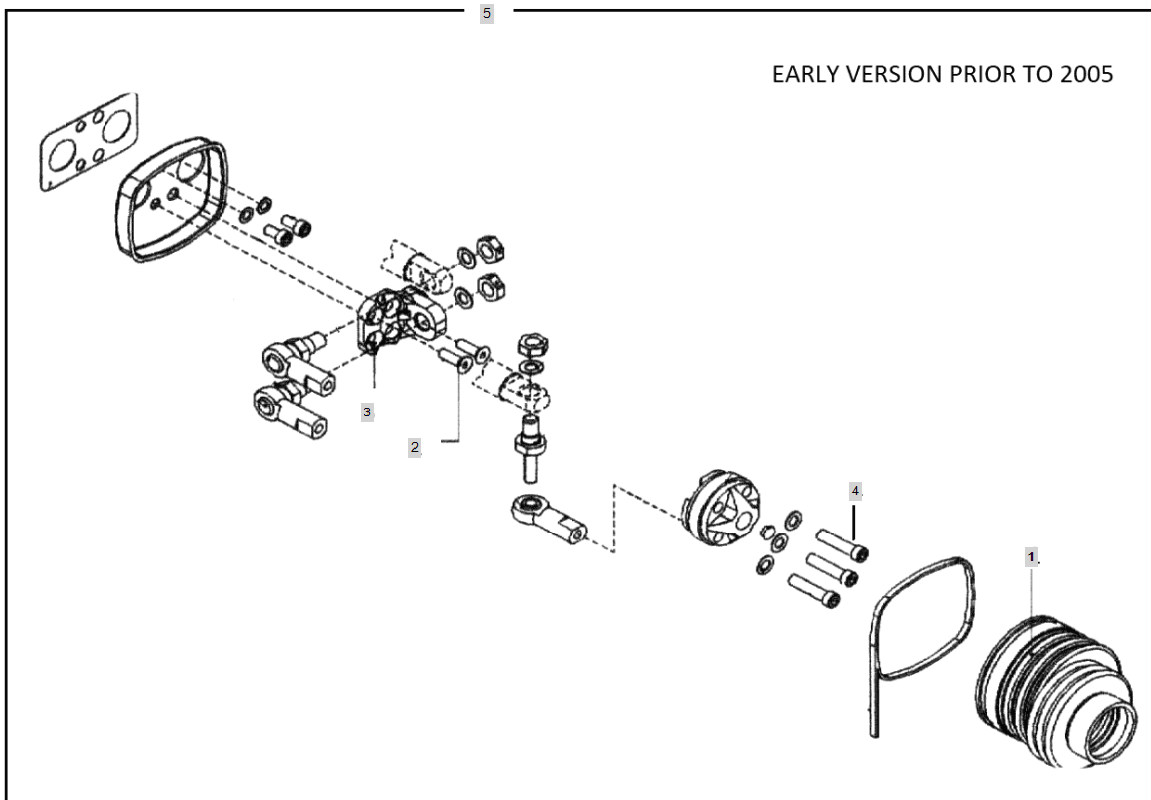
FIG 019

CONTROL VALVE SPARE PART

Year/Month

BL20

2020/02



CURRENT VERSION SINCE 2005

