

KUKJE BL10S Branson Loader

Parts Catalogue

FIG 001

BOOM & BUCKET

Year/Month

BL10S

2020/02

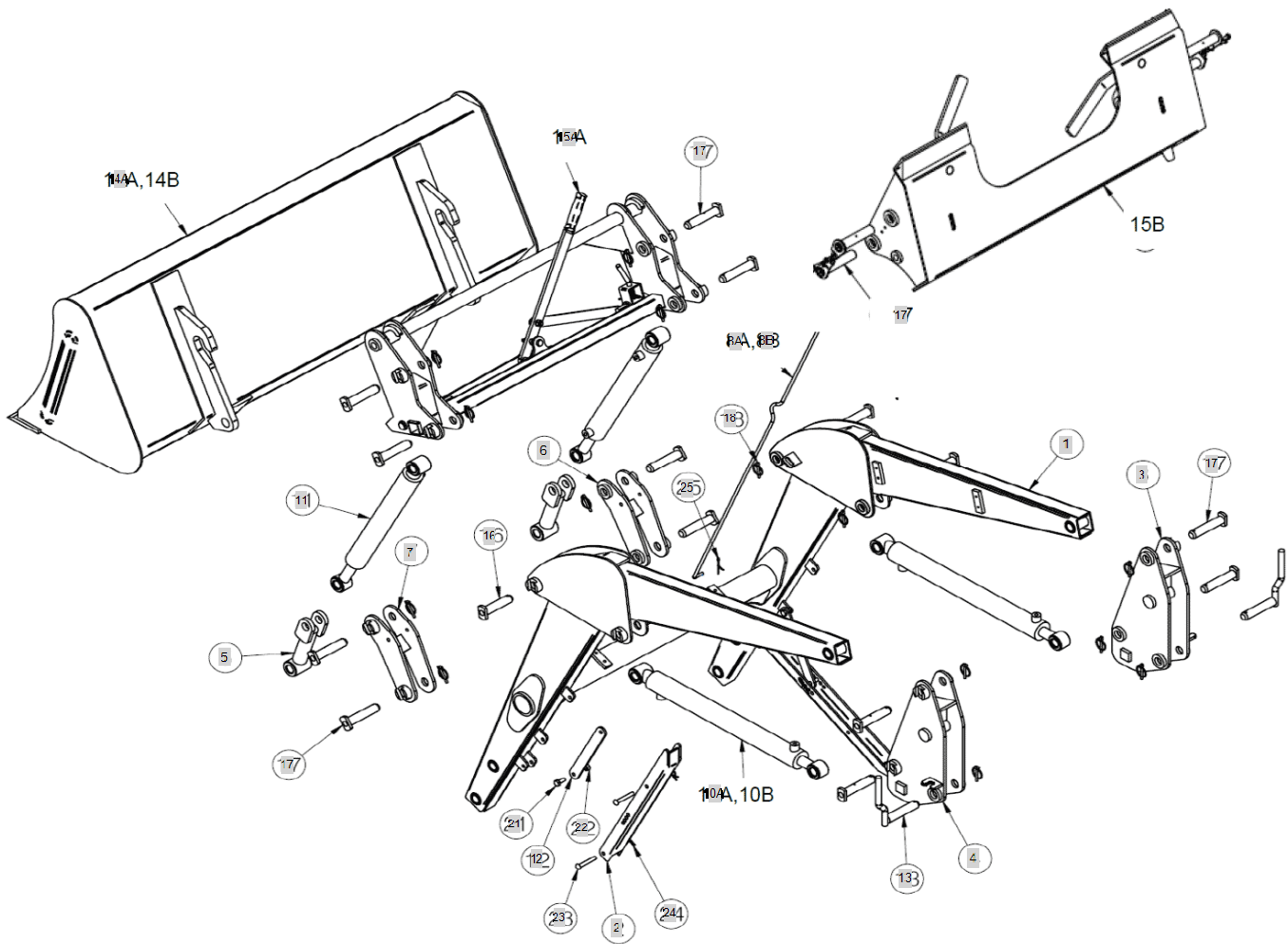


FIG 010

HYDRAULIC PARTS

Year/Month

BL10S

2020/02

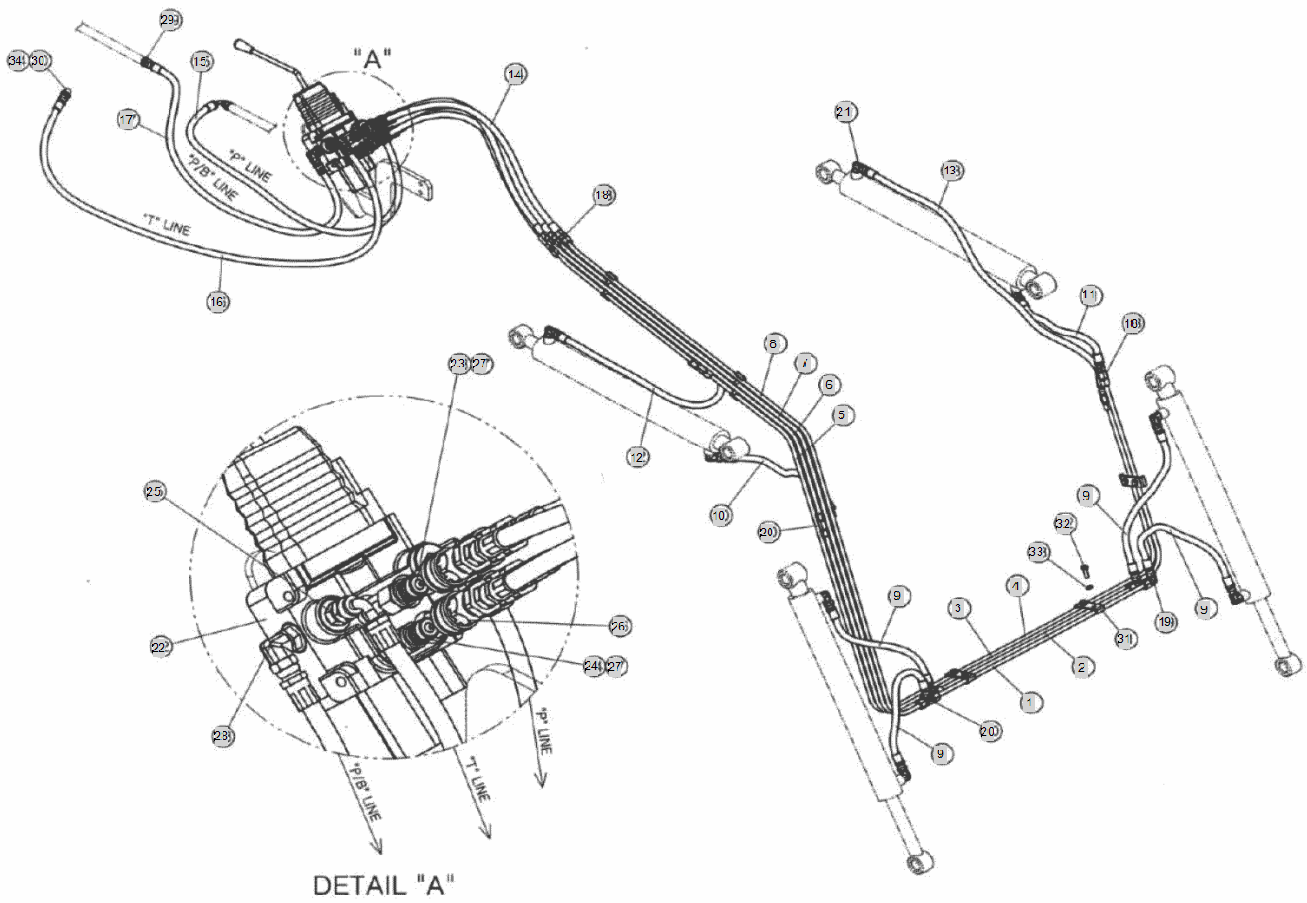


FIG 013

CYLINDER (BOOM)

Year/Month

BL10S

2020/02

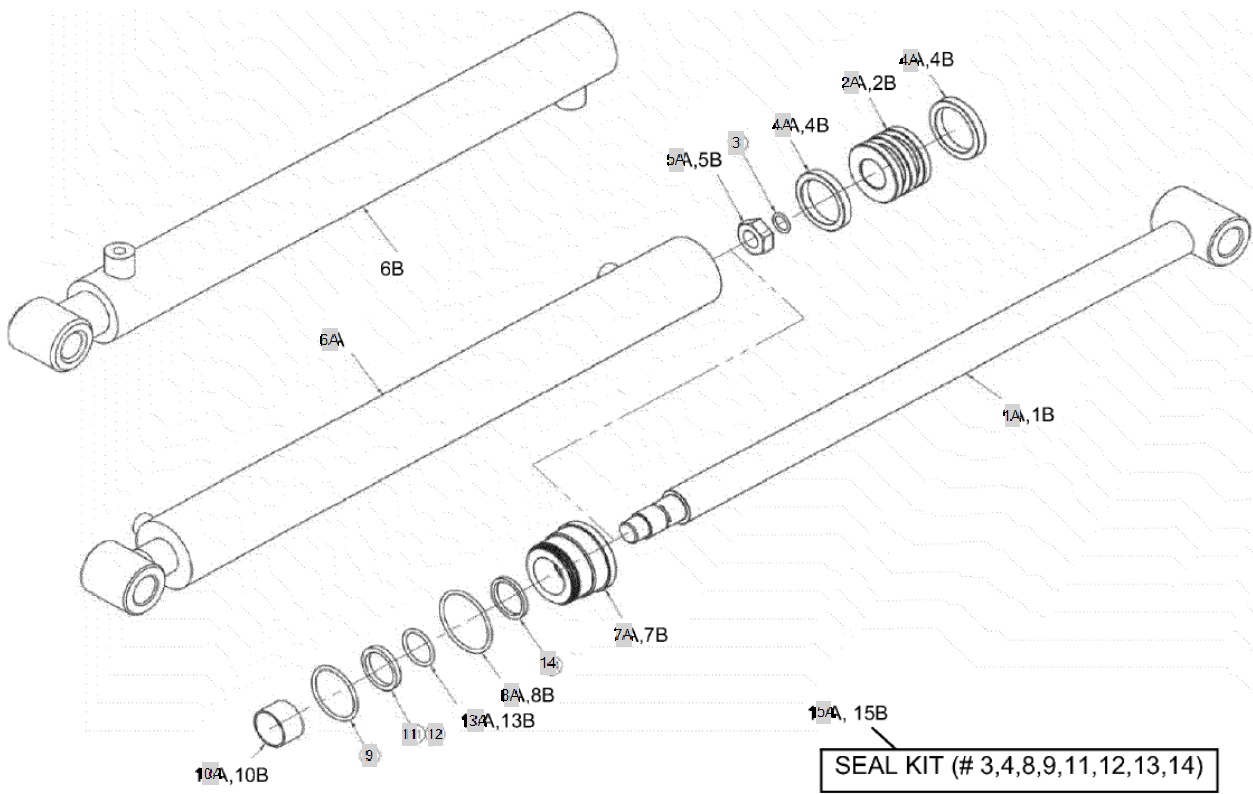


FIG 014

BL10S

CYLINDER (BUCKET)

Year/Month

2020/02

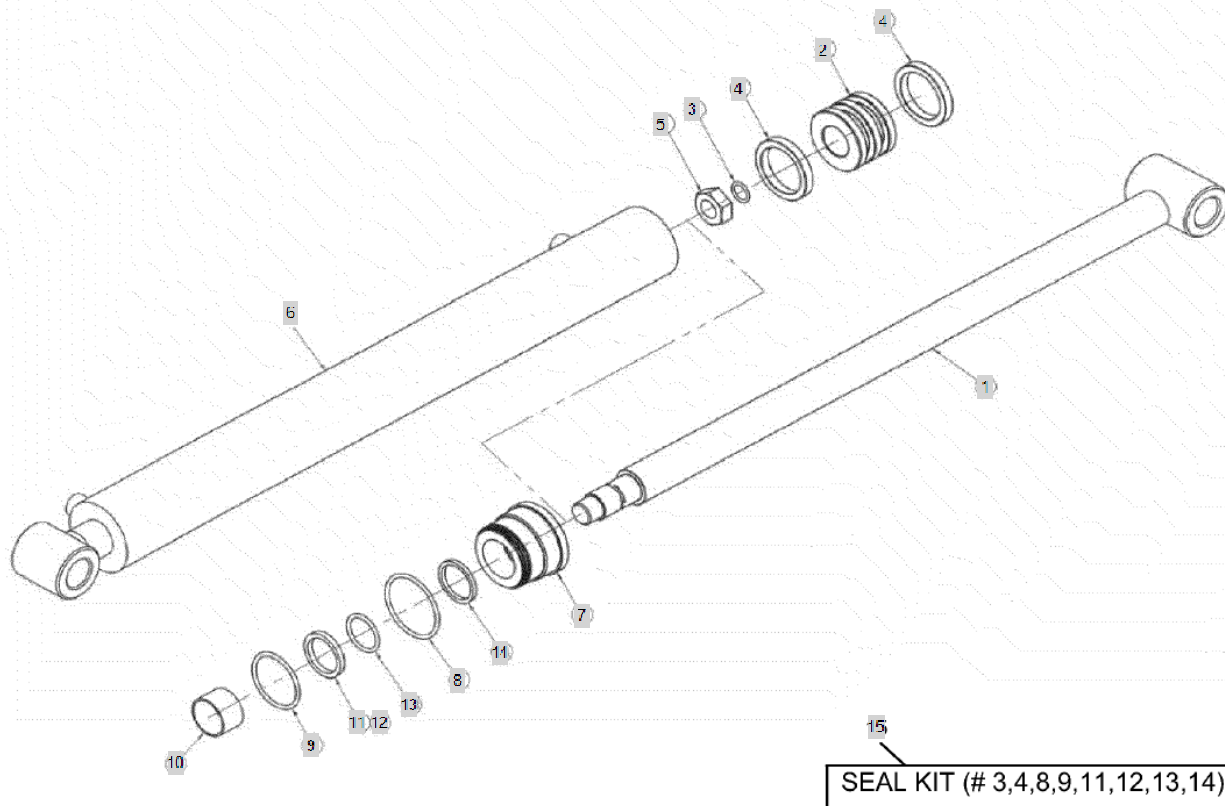


FIG 016

ATTACHMENT

Year/Month

BL10S

2020/02

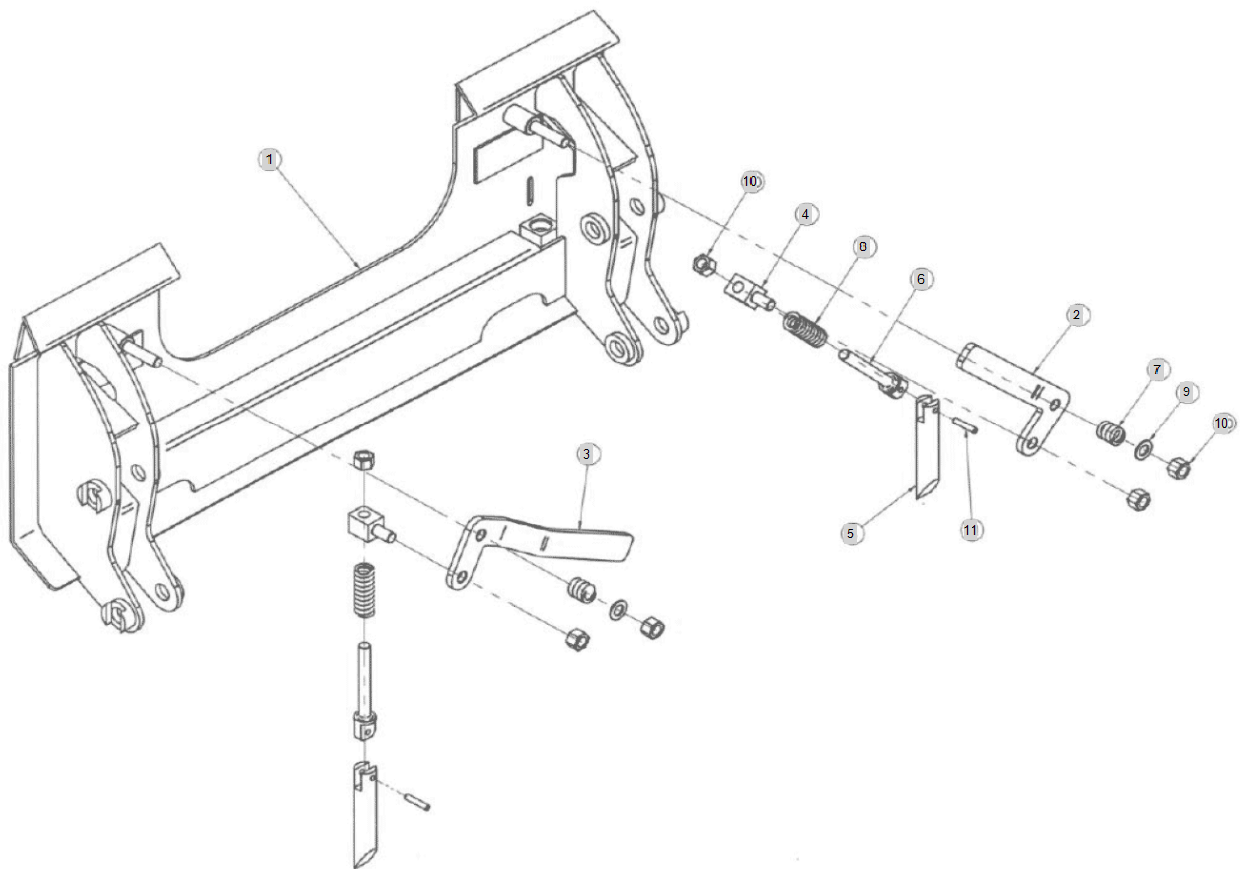


FIG 017

BUCKET

Year/Month

BL10S

2020/02

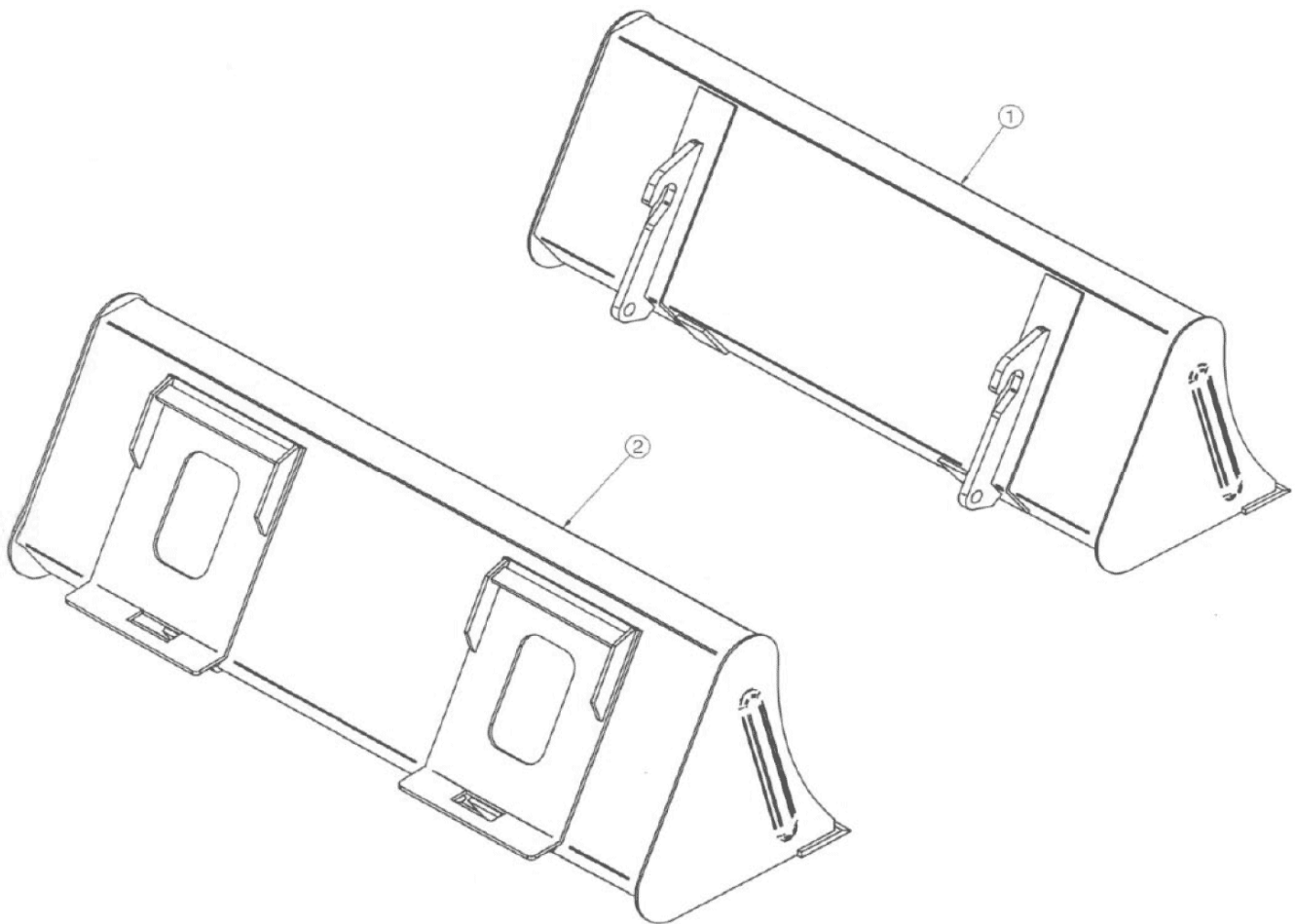


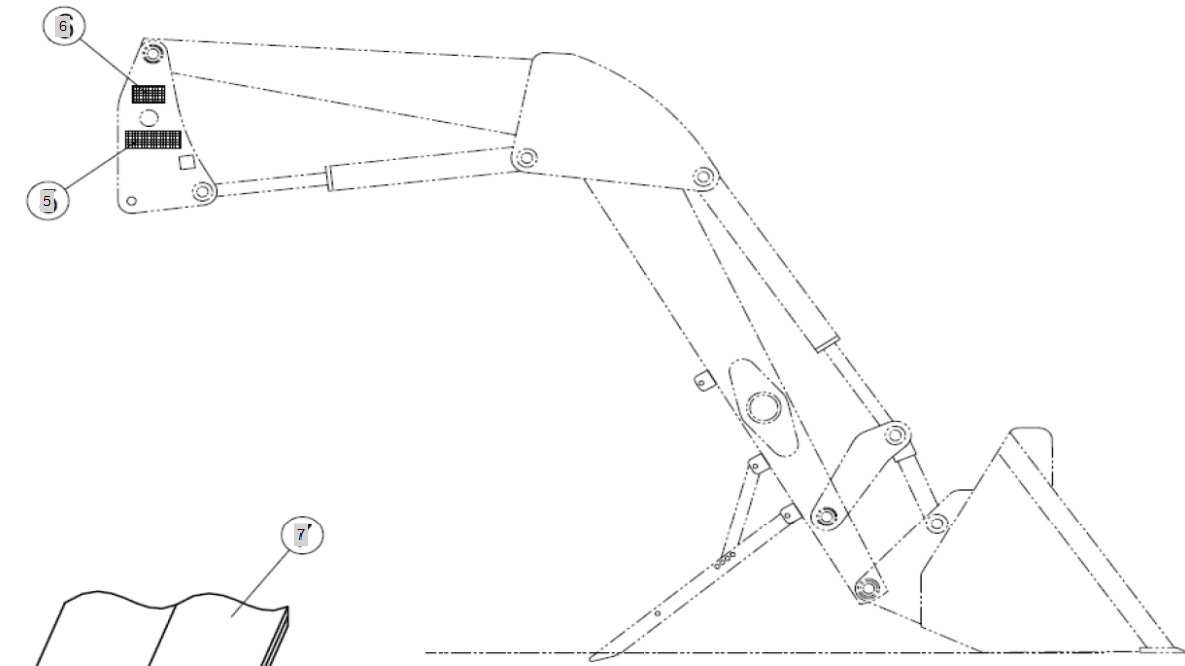
FIG 018

DECAL & MANUAL

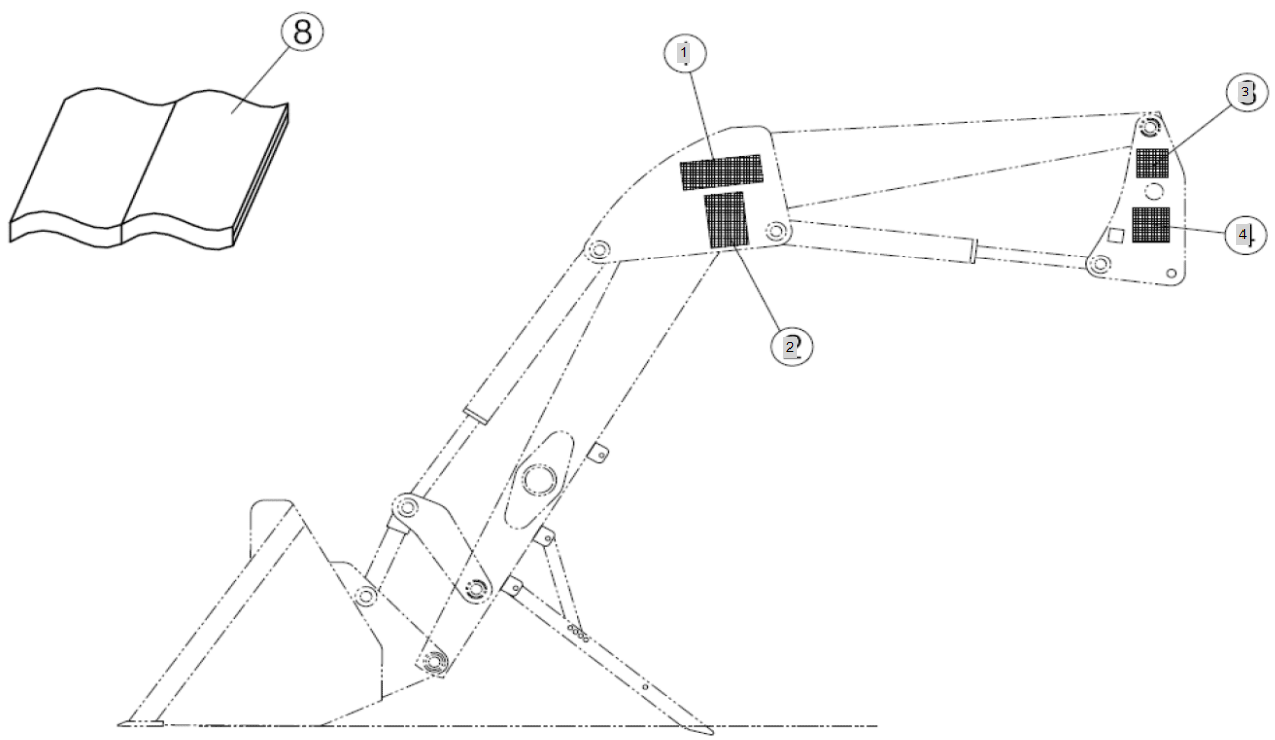
Year/Month

BL10S

2020/02



RH.



LH.

FIG 019

CONTROL VALVE SPARE PART

Year/Month

BL10S

2020/02

