

KUKJE BL100 Branson Loader

Parts Catalogue

FIG A001A-1 BL100	BUCKET	Year/Month 2020/02
----------------------	--------	-----------------------

FIG 001 BL100	BUCKET	P1	Year / Month 2017 / 04	
------------------	--------	----	---------------------------	-------------------------------------------------------------------------------------

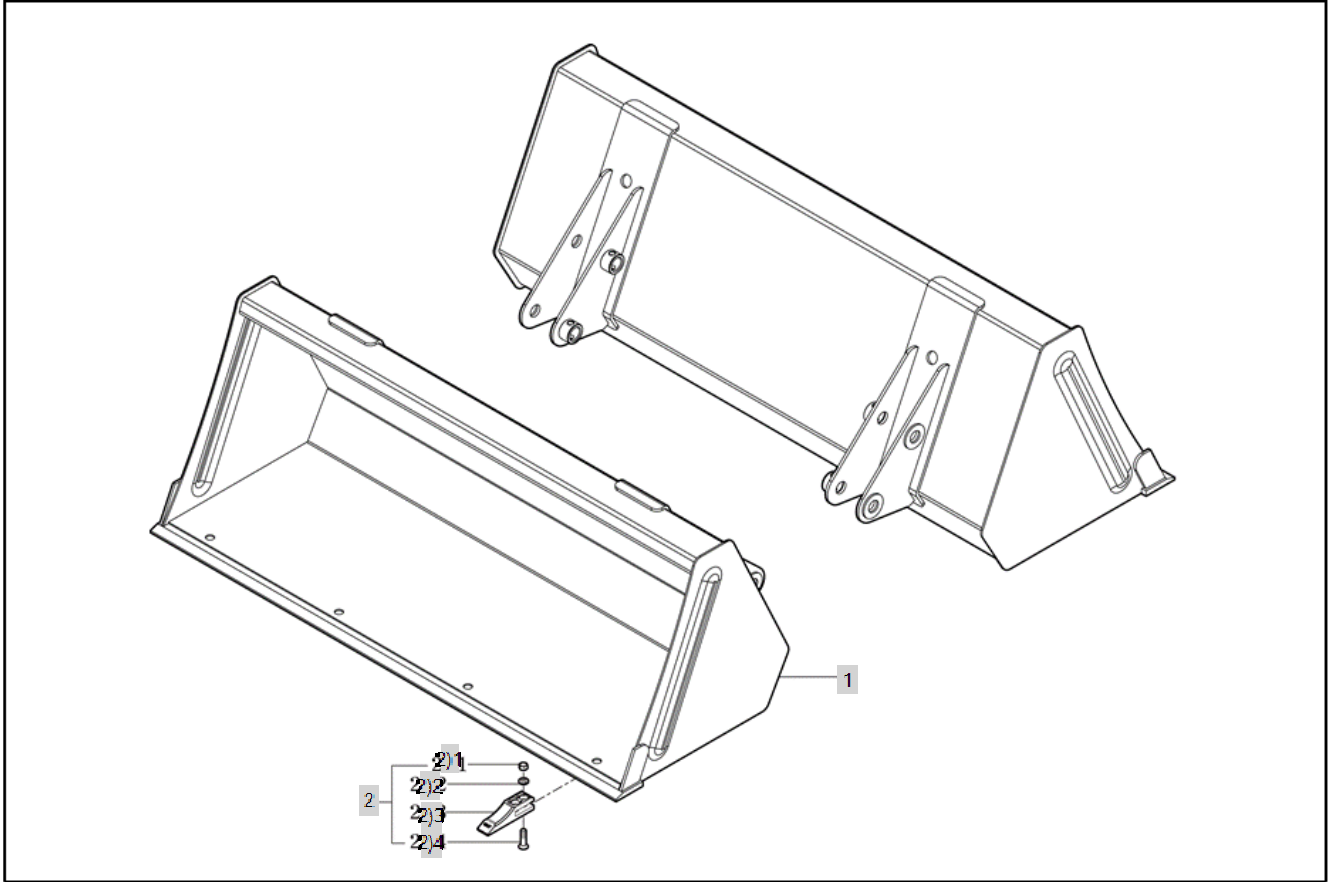


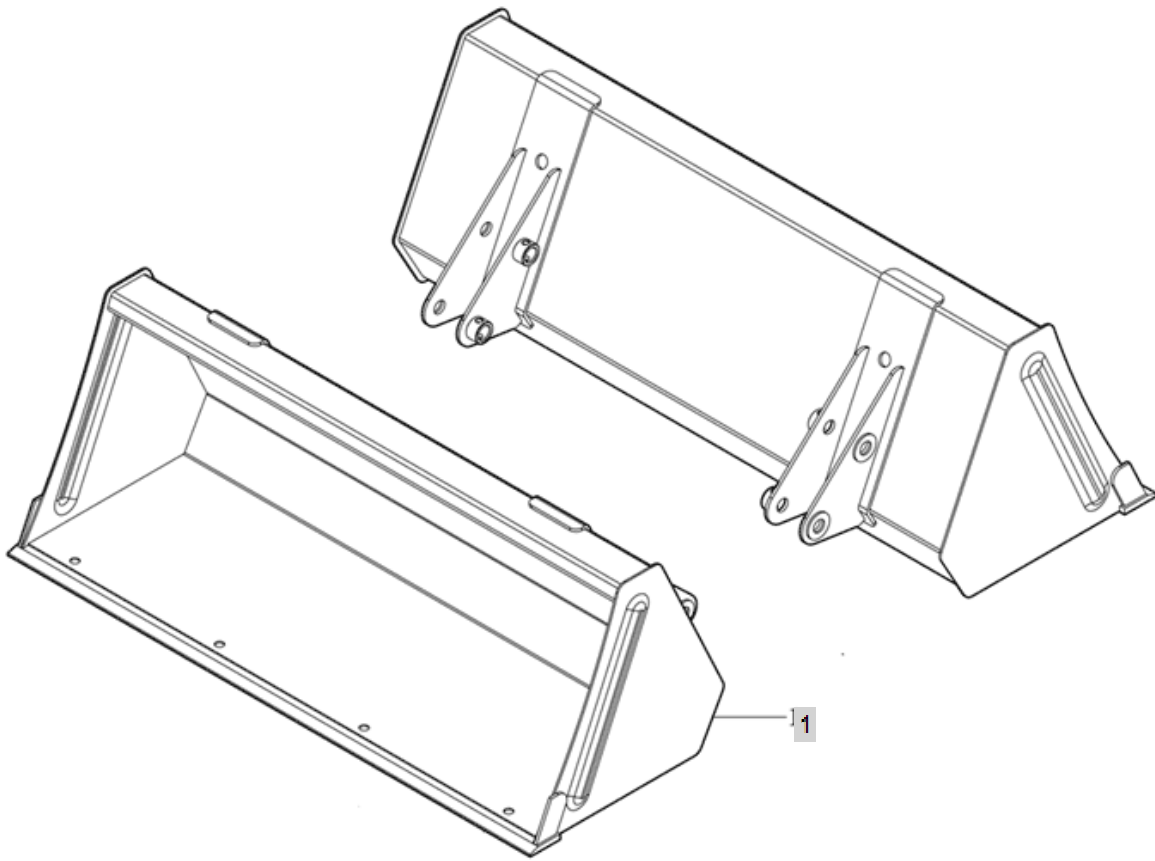
FIG A001A-2

BUCKET_BL100 (2018.10~)

Year/Month

BL100

2020/02



BL100-001

FIG A001A-3 BL100	BUCKET_BL100 (2019.11~)	Year/Month 2020/02
----------------------	-------------------------	-----------------------

FIG 001 B L100	BUCKET	P1	Year / Month 2019 / 11	
-------------------	--------	----	---------------------------	-------------------------------------------------------------------------------------

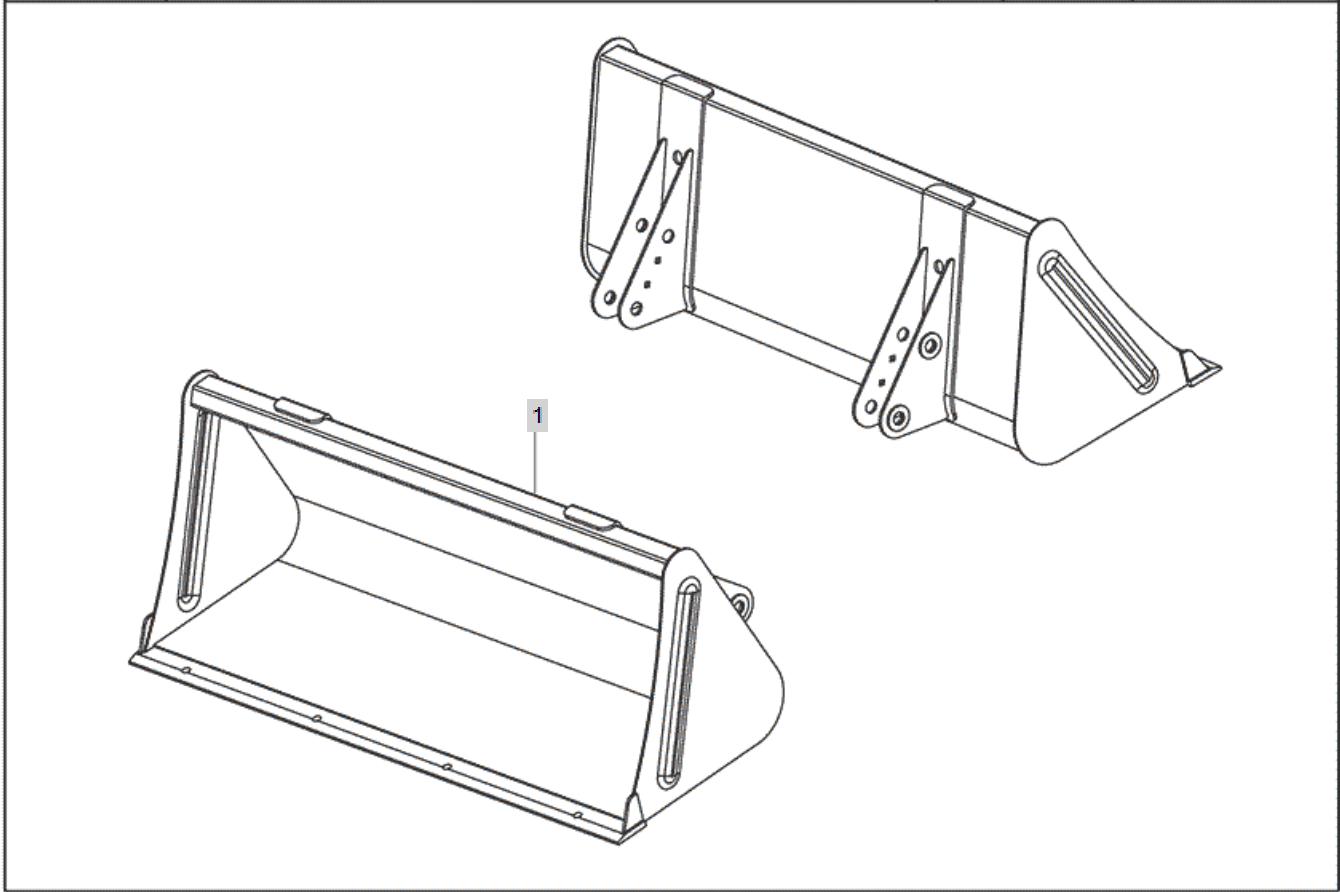


FIG A002-1

MOUNTING FRAME ASS'Y

Year/Month

BL100

2020/02

FIG 002
BL100

MOUNTING FRAME ASS'Y

P1

Year / Month

2017 / 04

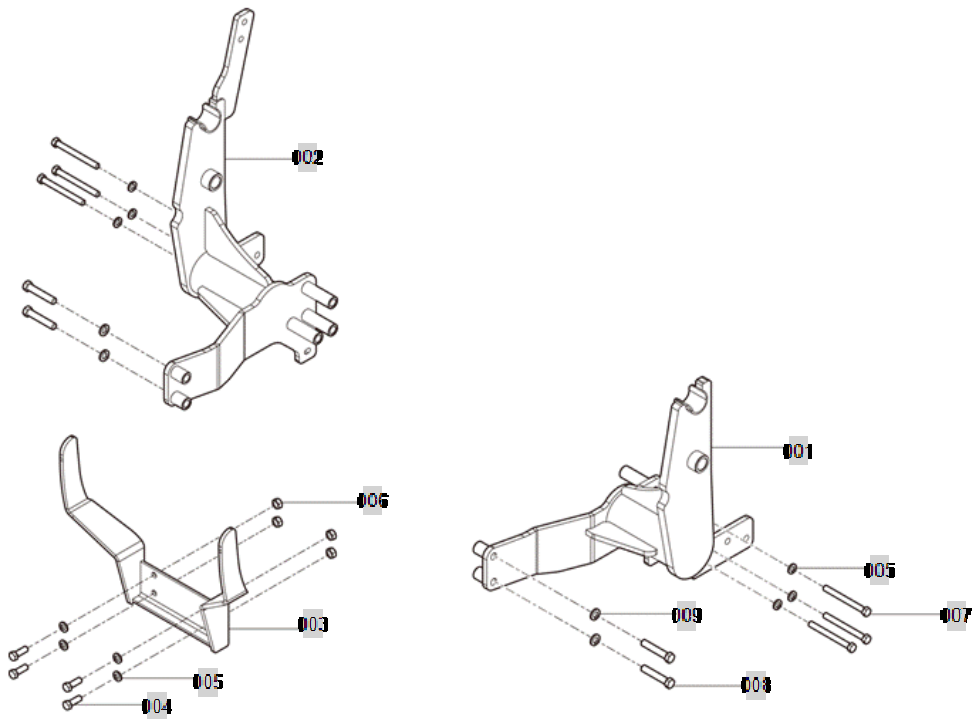


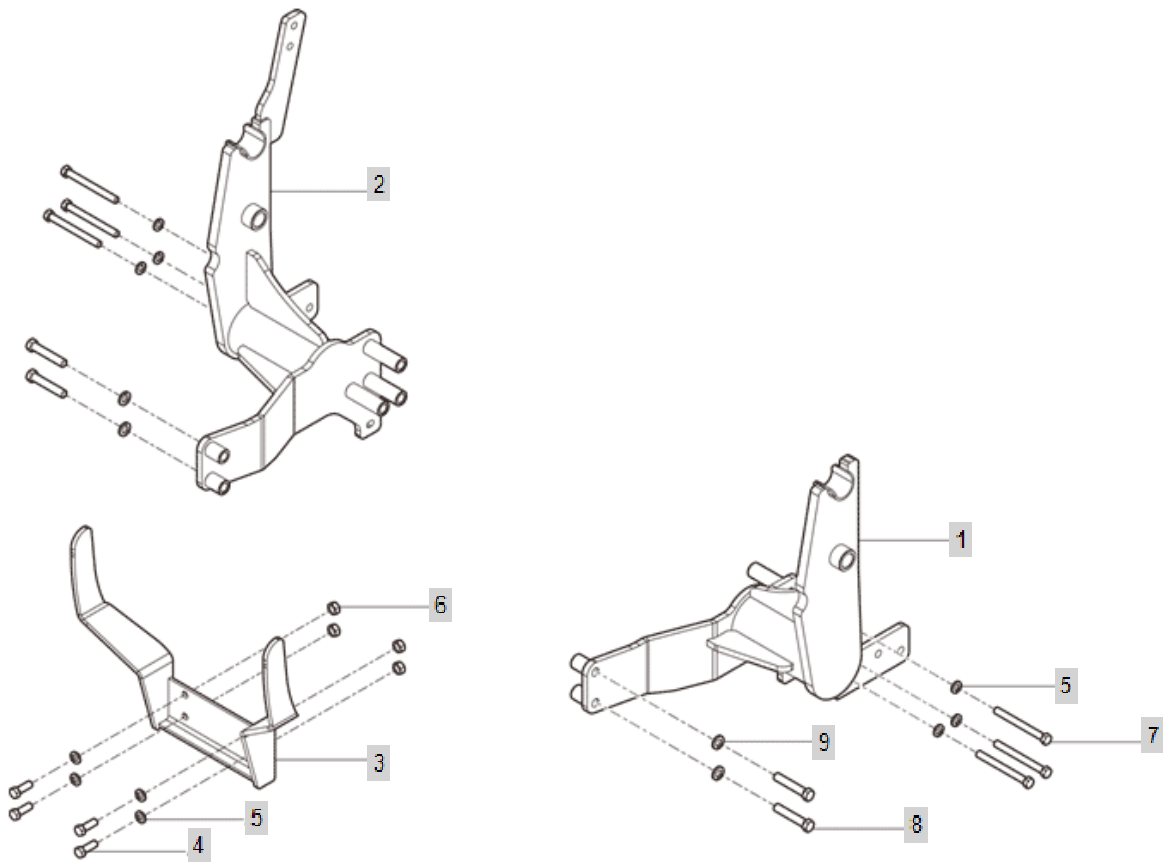
FIG A002-2

MOUNTING FRAME ASS'Y (2018.10~)

Year/Month

BL100

2020/02



BL100-003

FIG A003-1

BL100

BOOM ASS'Y

Year/Month

2020/02

FIG 003
BL100

BOOM ASS'Y

P1

Year / Month

2017 / 04

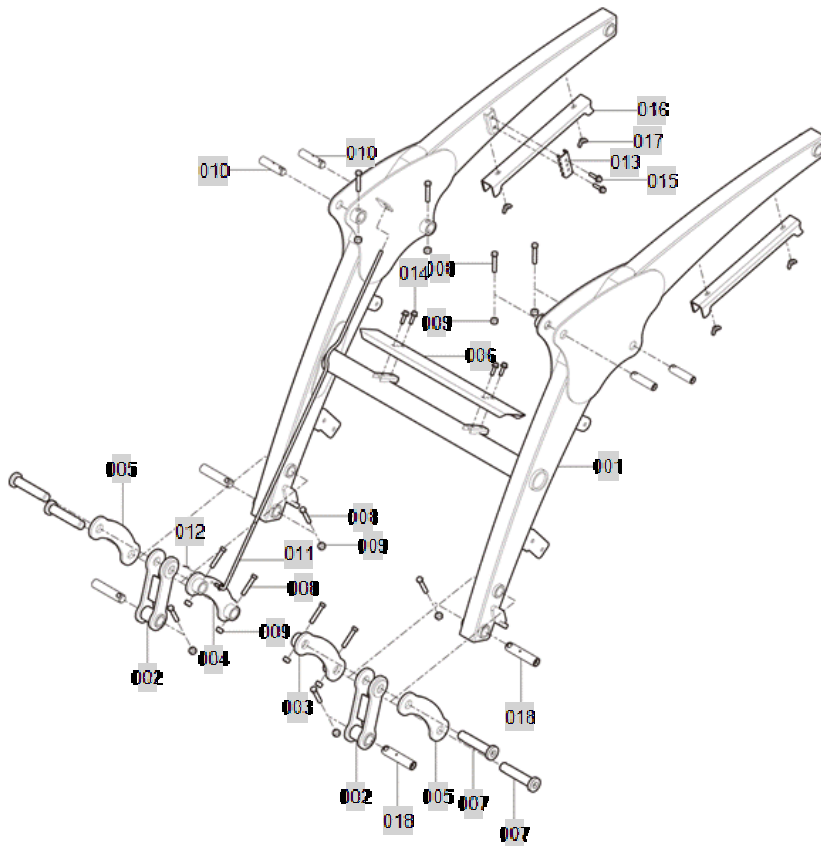


FIG A003-2

BL100

BOOM ASS'Y(2018)

Year/Month

2020/02

FIG 003
BL100(S)

BOOM ASS'Y

P1

Year / Month

2018 / 02

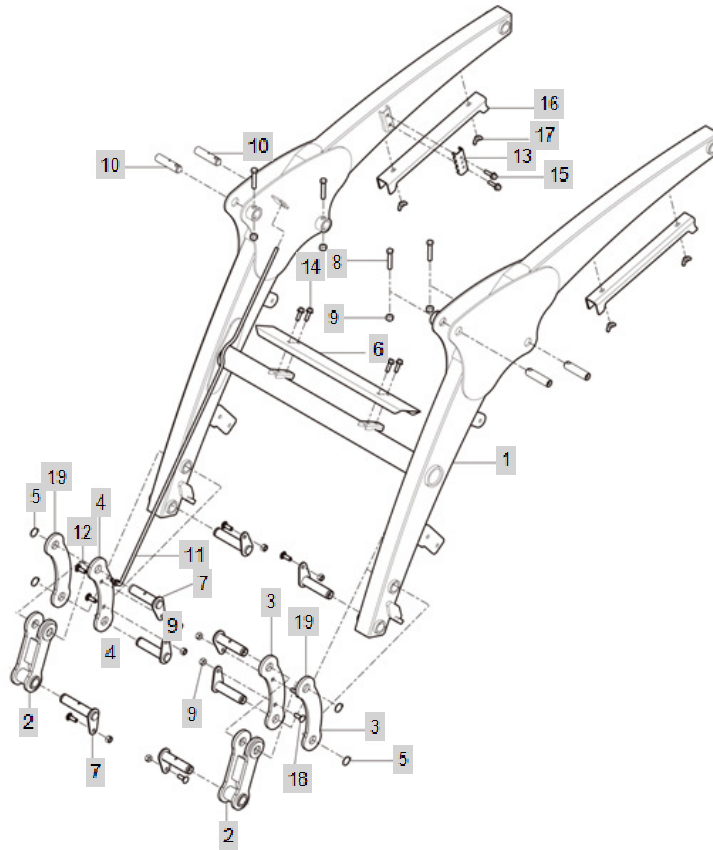


FIG A003-3

BOOM ASS'Y (2018.10~)

Year/Month

BL100

2020/02

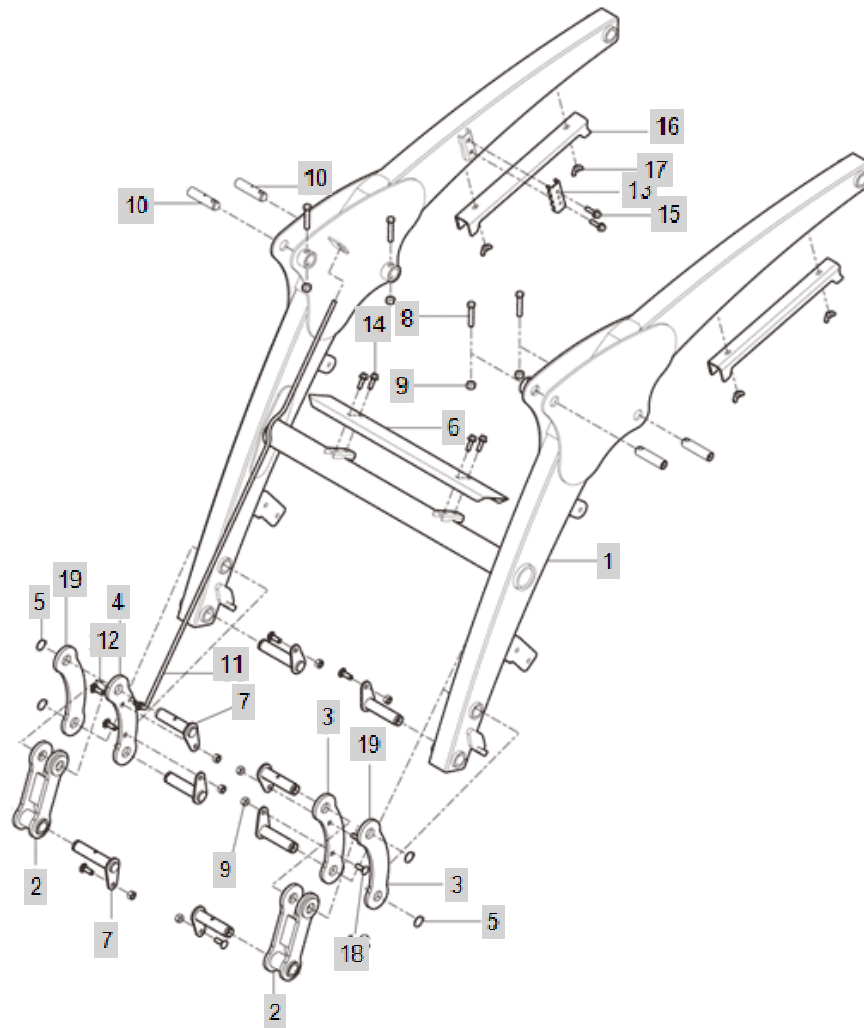


FIG A004-1

BL100

POST ASSEMBLY

Year/Month

2020/02

FIG 004

BL100

POST ASSEMBLY

P1

Year / Month

2017 / 04

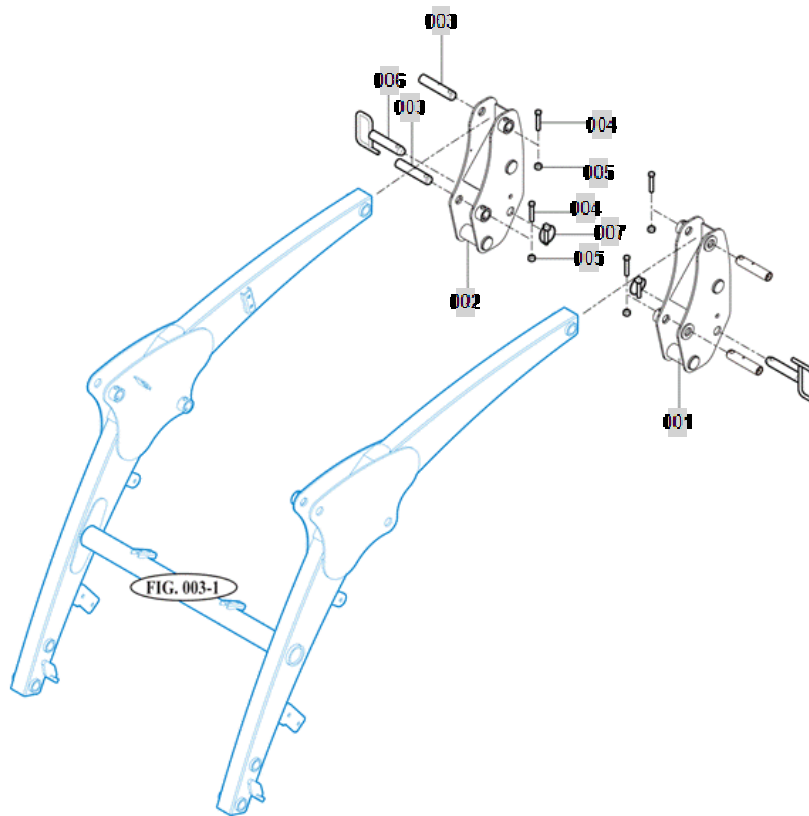


FIG A004-2

BL100

POST ASSEMBLY (2018.10~)

Year/Month

2020/02

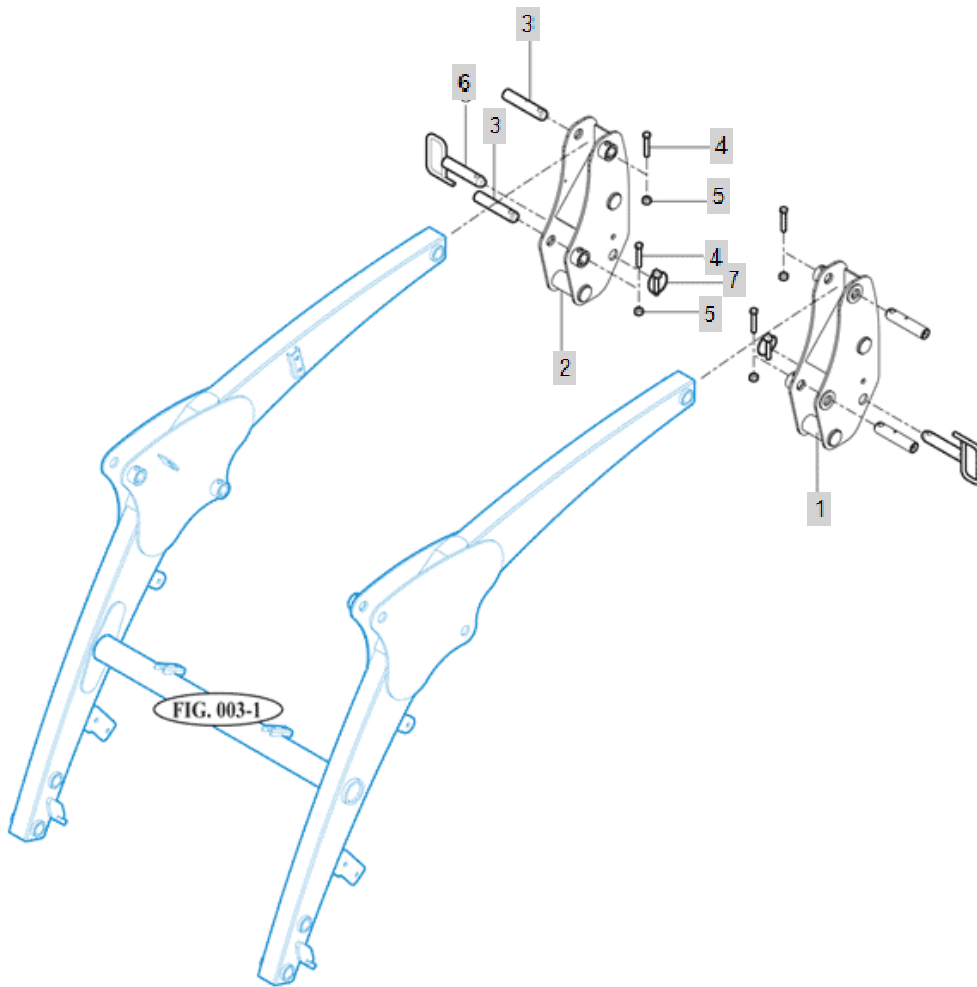


FIG A005-1

STAND & SAFETY BAR

Year/Month

BL100

2020/02

FIG 005
BL100

STAND & SAFETY BAR

P1

Year / Month

2017 / 04

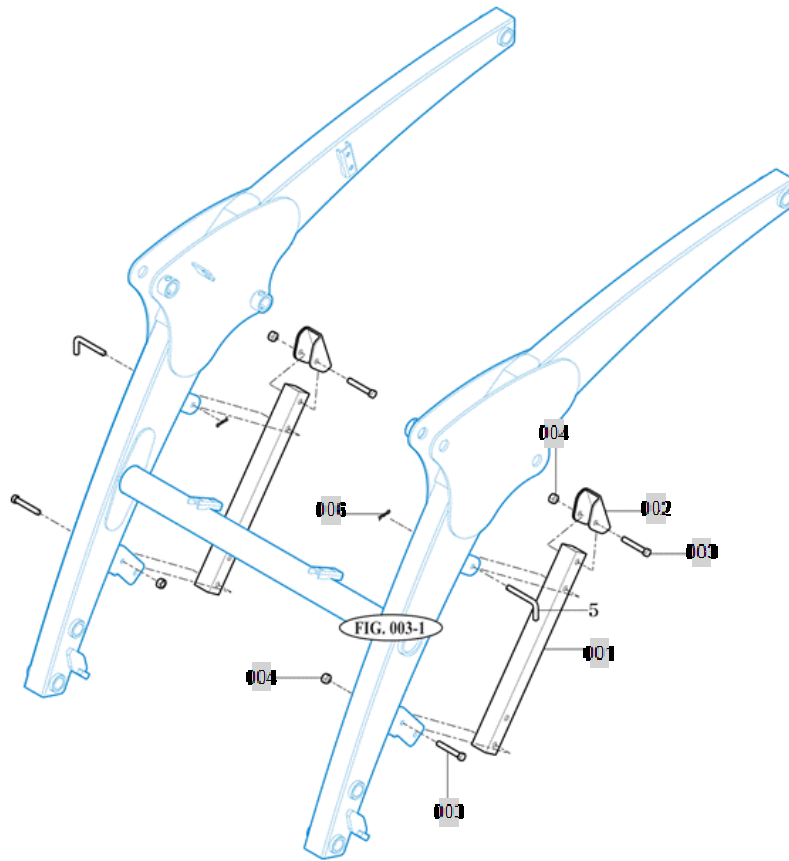


FIG A005-2

STAND & SAFETY BAR (2018.10~)

Year/Month

BL100

2020/02

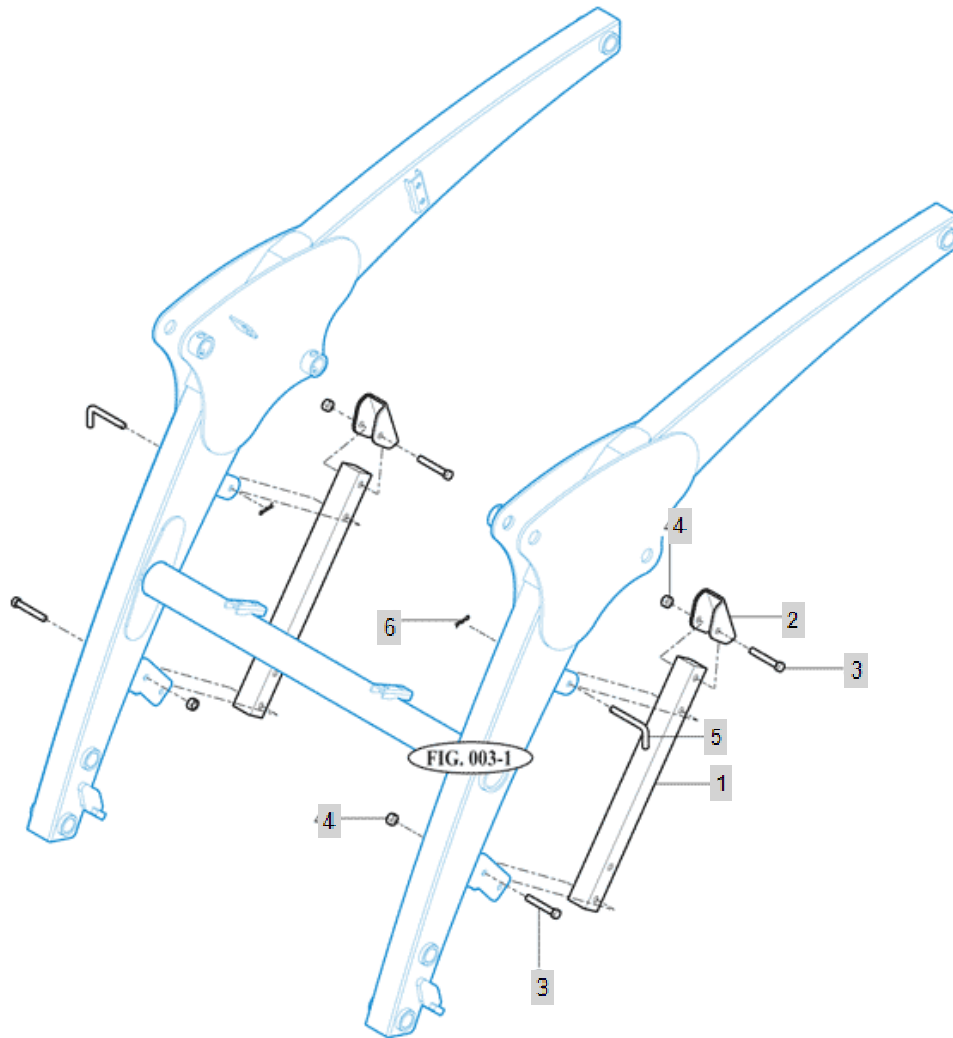


FIG A006-1

LOADER VALVE

Year/Month

BL100

2020/02

FIG 006
BL100

LOADER VALVE

P1

Year / Month

2017 / 04

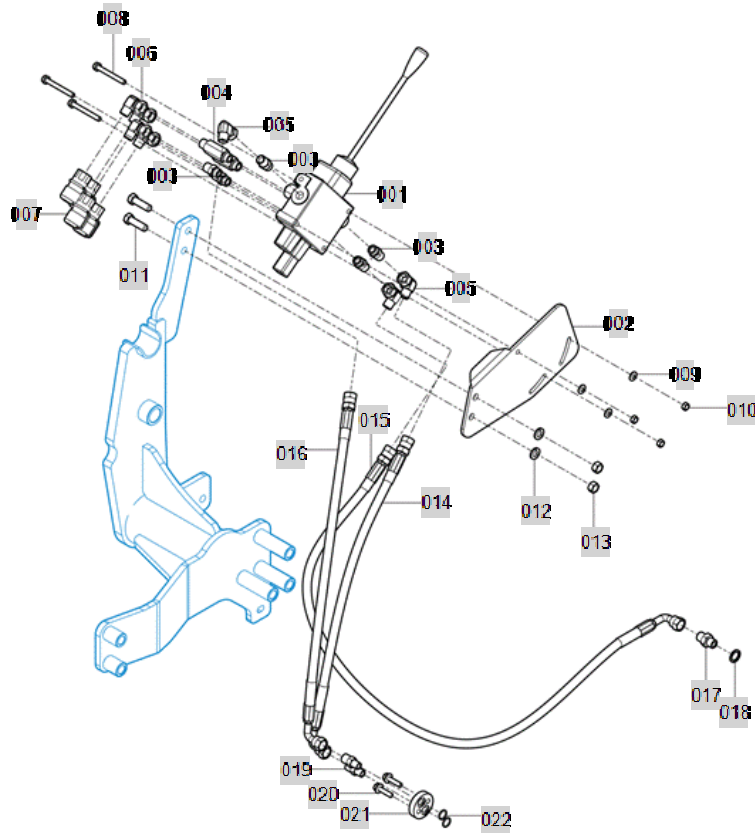


FIG A006-2

LOADER VALVE (2018.10~)

Year/Month

BL100

2020/02

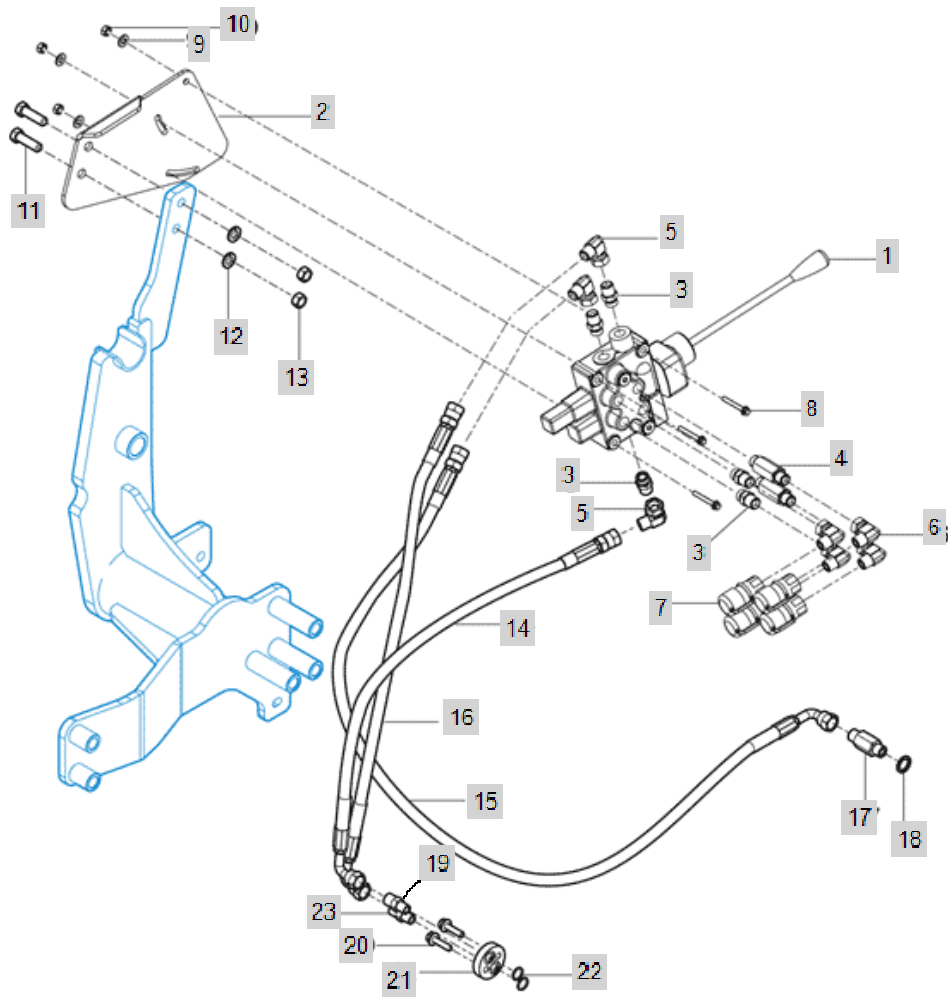


FIG A007-1

HYDRAULIC PIPING ASSEMBLY

Year/Month

BL100

2020/02

FIG 007
BL100

HYDRAULIC PIPING ASSEMBLY

P1

Year / Month

2017 / 04

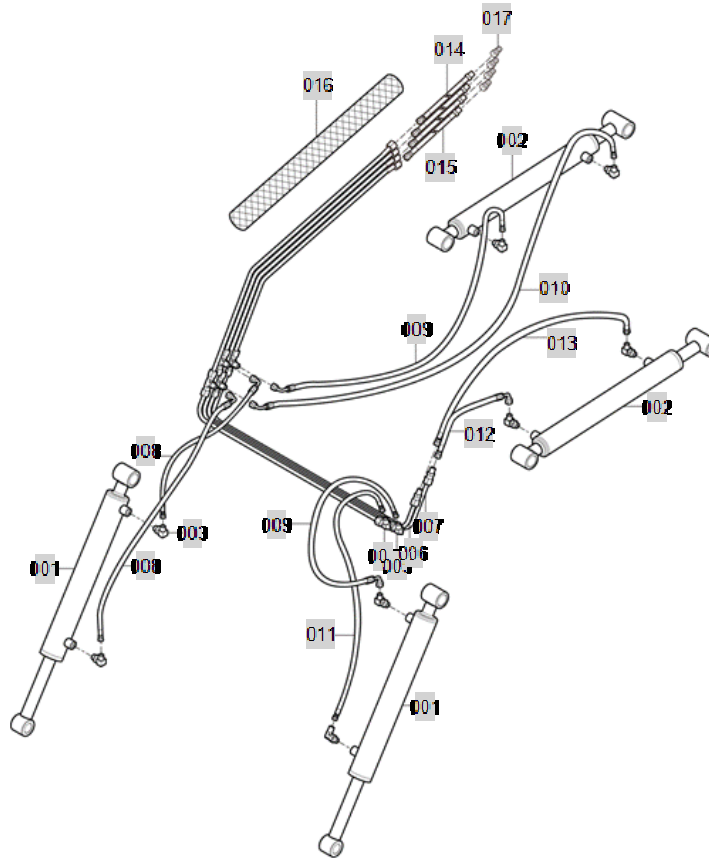


FIG A007-2

HYDRAULIC PIPING ASSEMBLY (2018.10~)

Year/Month

BL100

2020/02

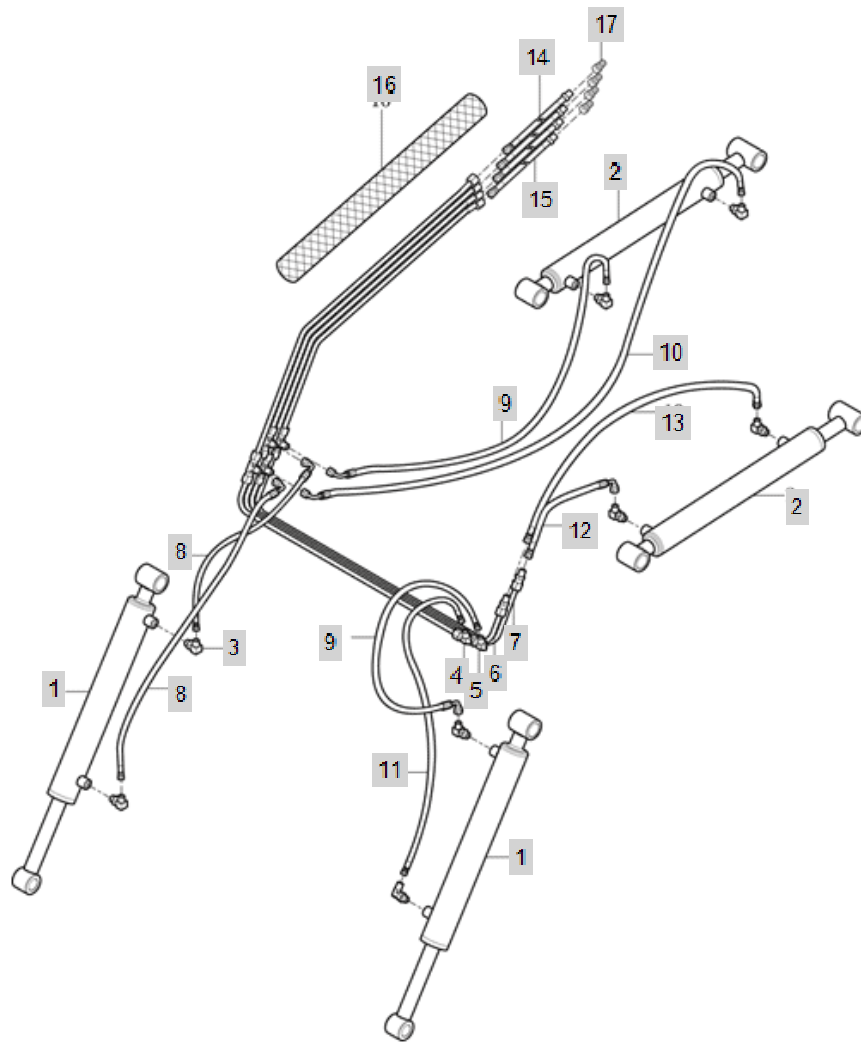


FIG A008-1

BUCKET CYLINDER

Year/Month

BL100

2020/02

FIG 008

BUCKET CYLINDER

P1

Year / Month

BL100

2017 / 04



SEAL KIT

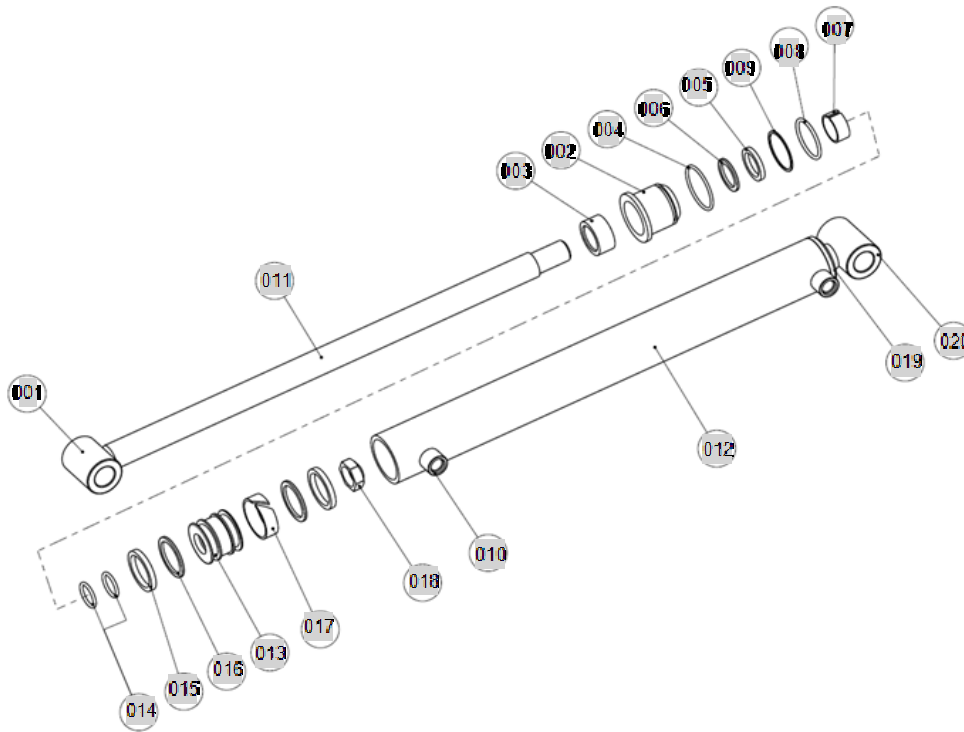


FIG A008-2

BUCKET CYLINDER (2018.10~)

Year/Month

BL100

2020/02

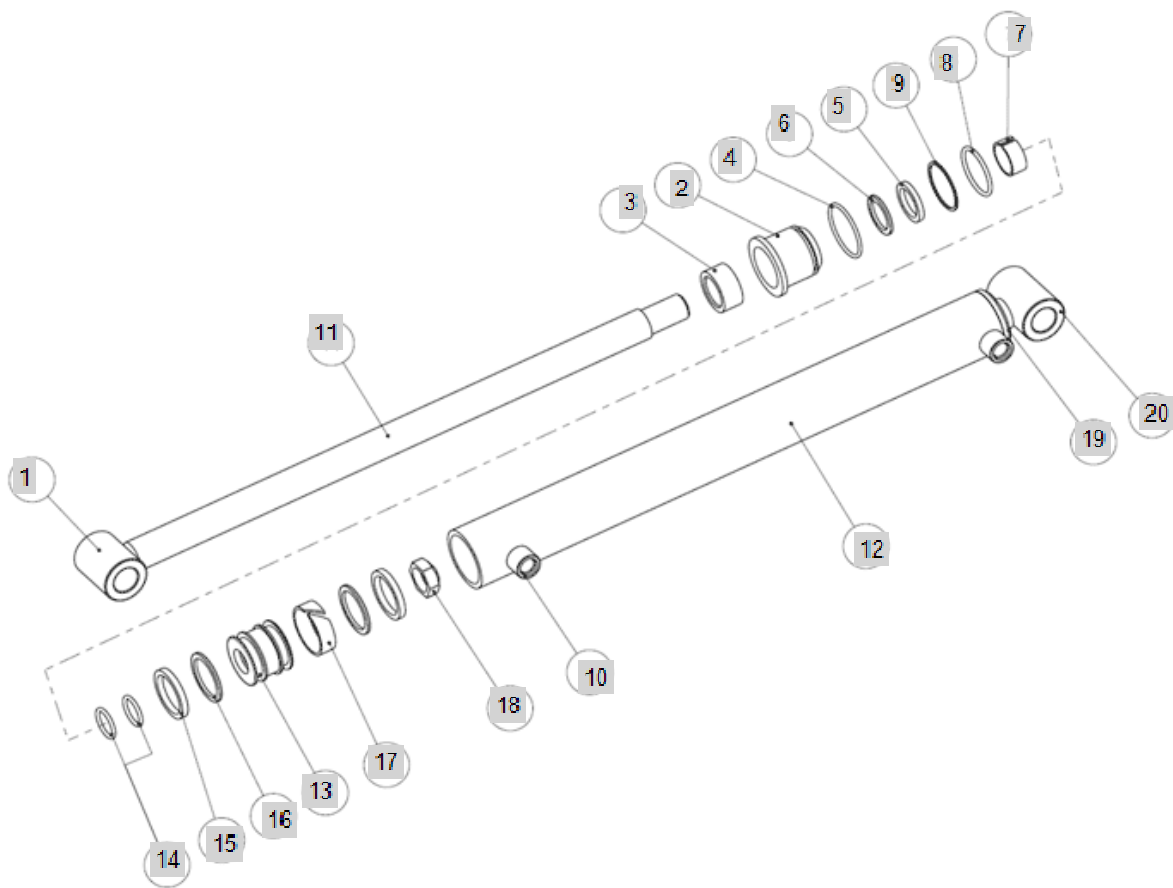


FIG A009-1

BL100

BOOM CYLINDER

Year/Month

2020/02

FIG 009

BL100

BOOM CYLINDER

P1

Year / Month

2017 / 04



SEAL KIT

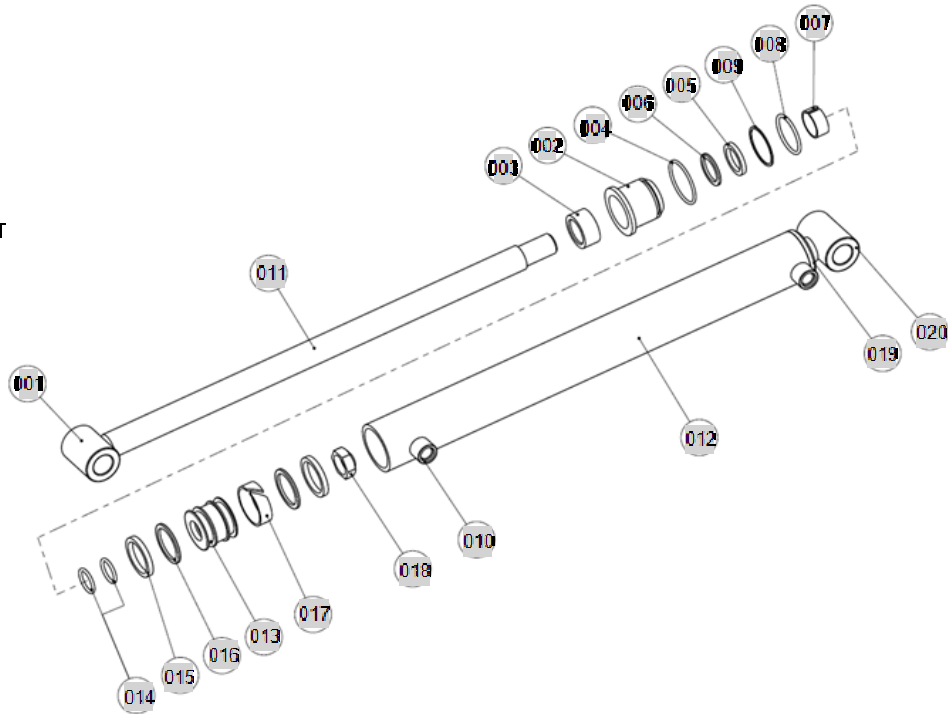


FIG A009-2

BOOM CYLINDER (2018.10~)

Year/Month

BL100

2020/02

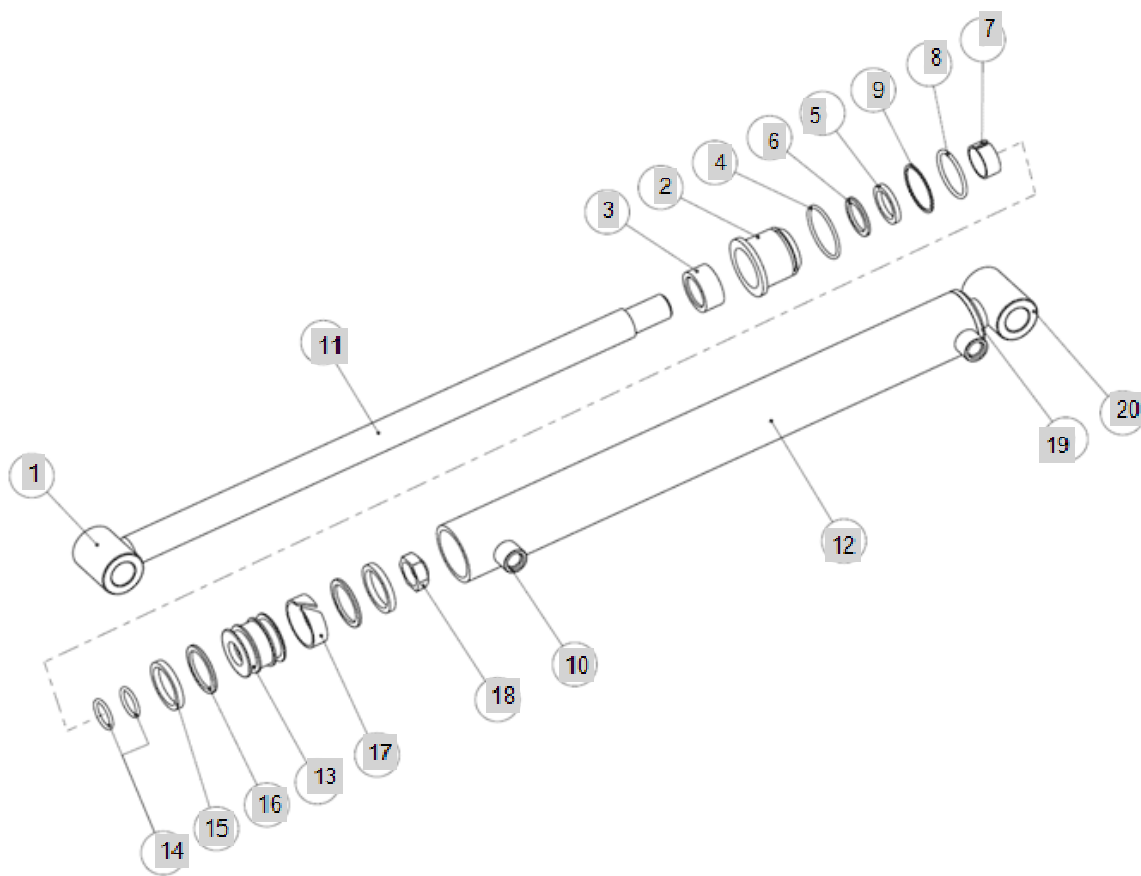


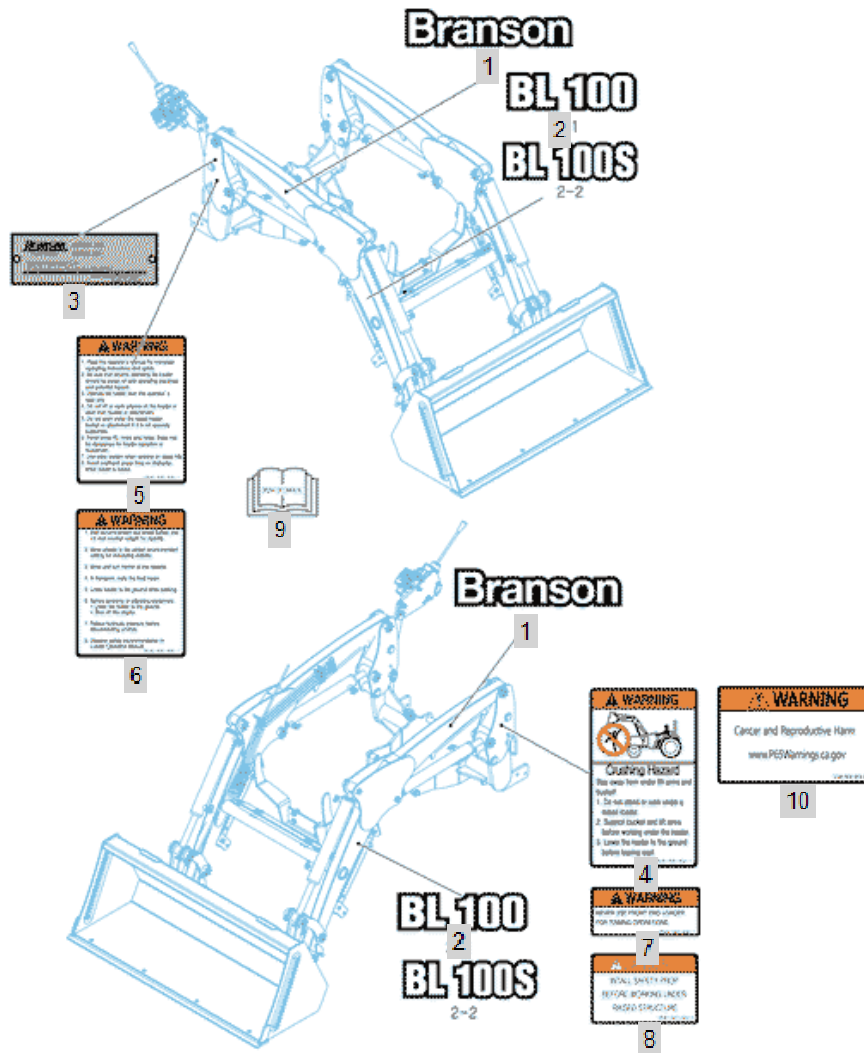
FIG A010A-2

DECAL (2018.10~)

Year/Month

BL100

2020/02



JEANMAN

WARNING

1. Read the operator's manual for the loader.
2. Operating loader on a slope is dangerous.
3. Do not use loader on a slope unless it is specifically designed for this purpose.
4. Do not use loader on a slope unless it is specifically designed for this purpose.
5. Do not use loader on a slope unless it is specifically designed for this purpose.
6. Do not use loader on a slope unless it is specifically designed for this purpose.
7. Do not use loader on a slope unless it is specifically designed for this purpose.
8. Do not use loader on a slope unless it is specifically designed for this purpose.

POINT MARK

WARNING

1. Do not use loader on a slope unless it is specifically designed for this purpose.
2. Do not use loader on a slope unless it is specifically designed for this purpose.
3. Do not use loader on a slope unless it is specifically designed for this purpose.
4. Do not use loader on a slope unless it is specifically designed for this purpose.
5. Do not use loader on a slope unless it is specifically designed for this purpose.
6. Do not use loader on a slope unless it is specifically designed for this purpose.
7. Do not use loader on a slope unless it is specifically designed for this purpose.
8. Do not use loader on a slope unless it is specifically designed for this purpose.

WARNING

Crushing Hazard

This loader has under lift arms and buckets.

- Do not stand or walk under a raised bucket.
- Bucket locked and lift arms before working under the loader.
- Lower the loader to the ground before leaving seat.

WARNING

Cancer and Reproductive Harm
www.P65Warnings.ca.gov

WARNING

Operator not proper this loader for training operation.

WARNING

WEAR SAFETY BELT BEFORE WORKING UNDER RIGGED STRUCTURE

10

8

FIG A011

JOYSTICK VALVE ASSY

Year/Month

BL100

2020/02

8, 9, 10, 11, 16, 18, 19, 21 REPAIR KIT

