

KUKJE BH200 Branson Backhoe

Parts Catalogue

FIG A101

SUB FRAME

Year/Month

BH200

2020/02

FIG.101

SUB FRAME

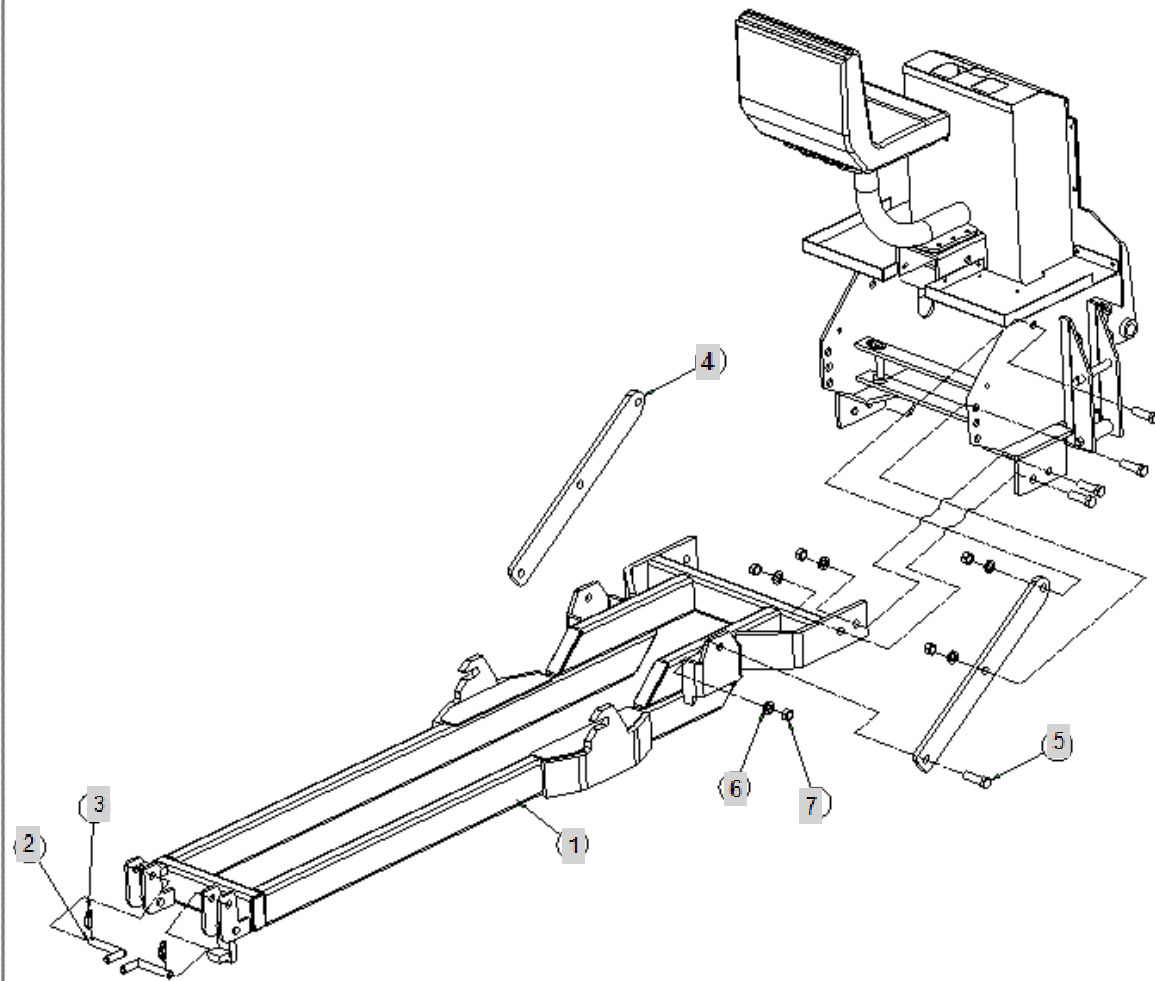


FIG A201

ASSEMBLY

Year/Month

BH200

2020/02

FIG.201

ASSEMBLY

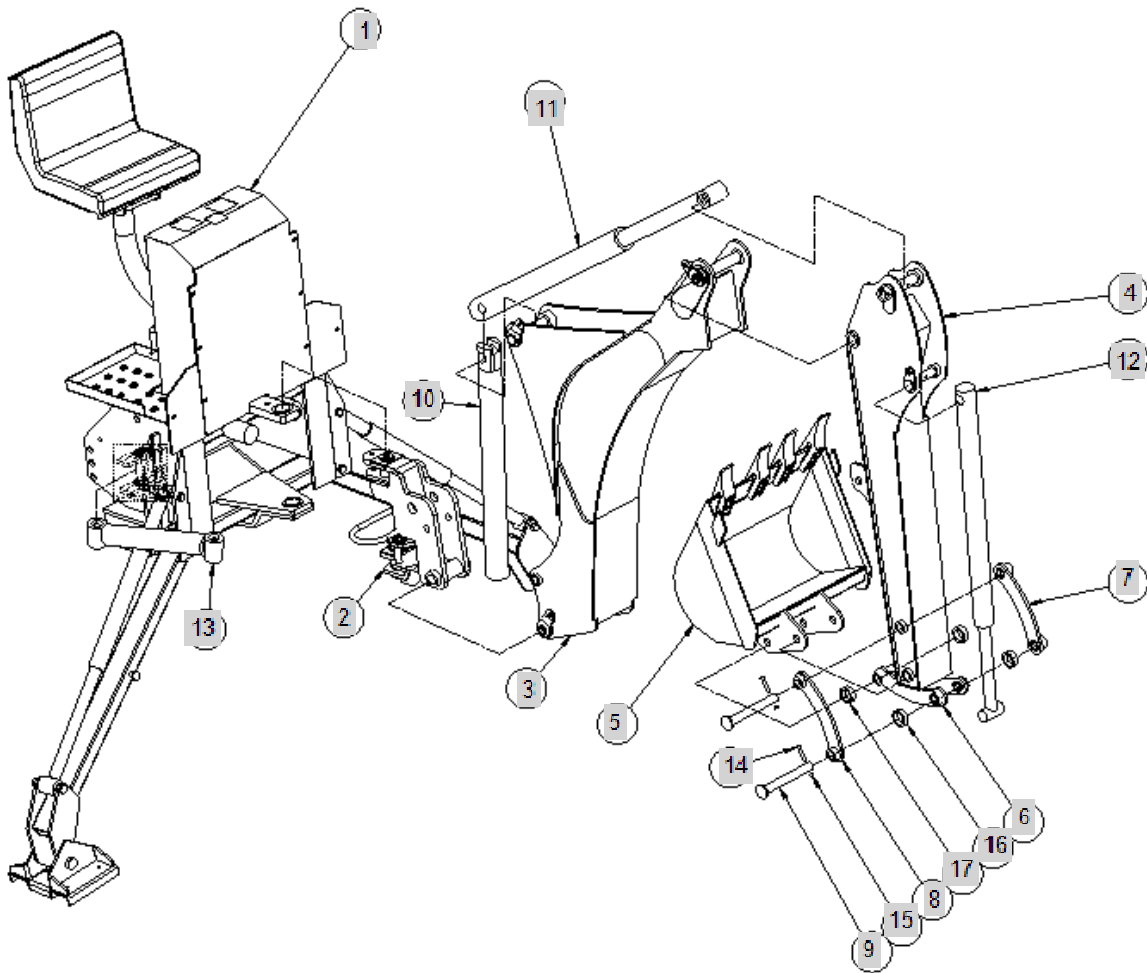


FIG A301

MAIN FRAME ASSEMBLY

Year/Month

BH200

2020/02

FIG.301

MAIN FRAME ASSEMBLY

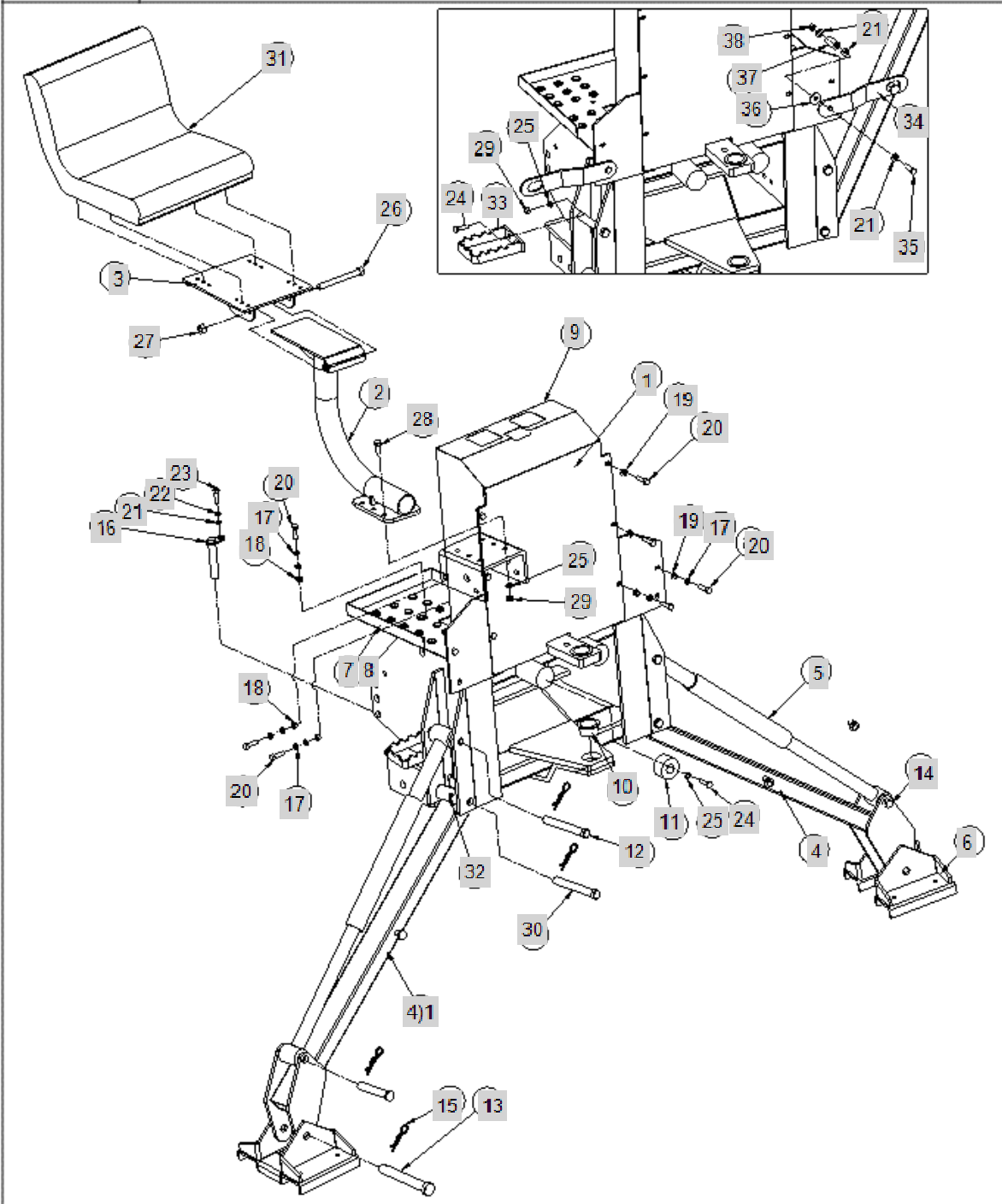


FIG A401

SWING FRAME ASSY

Year/Month

BH200

2020/02

FIG.401

SWING FRAME ASSY

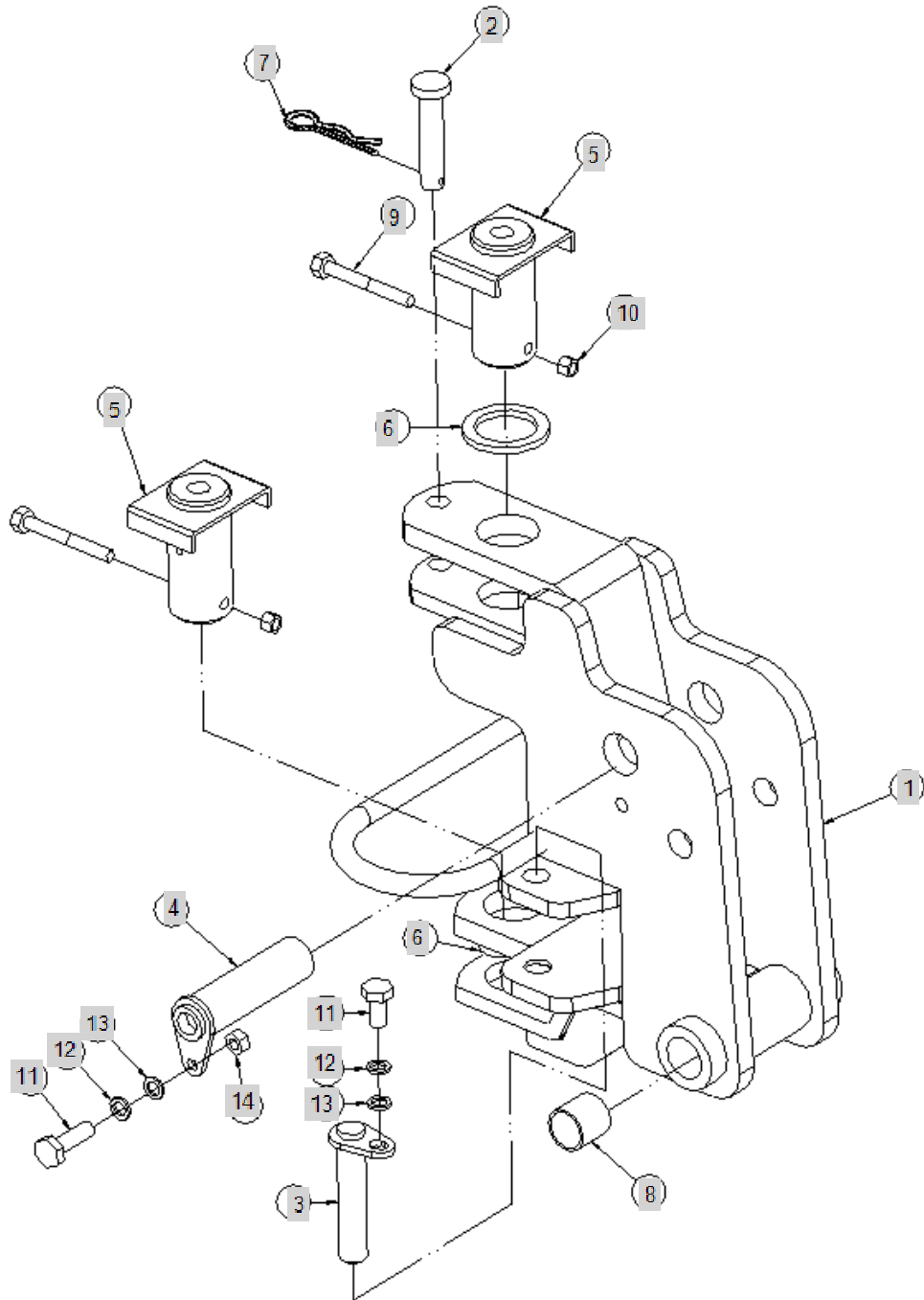


FIG A501

BOOM FRAME ASSY

Year/Month

BH200

2020/02

FIG.501

BOOM FRAME ASSY

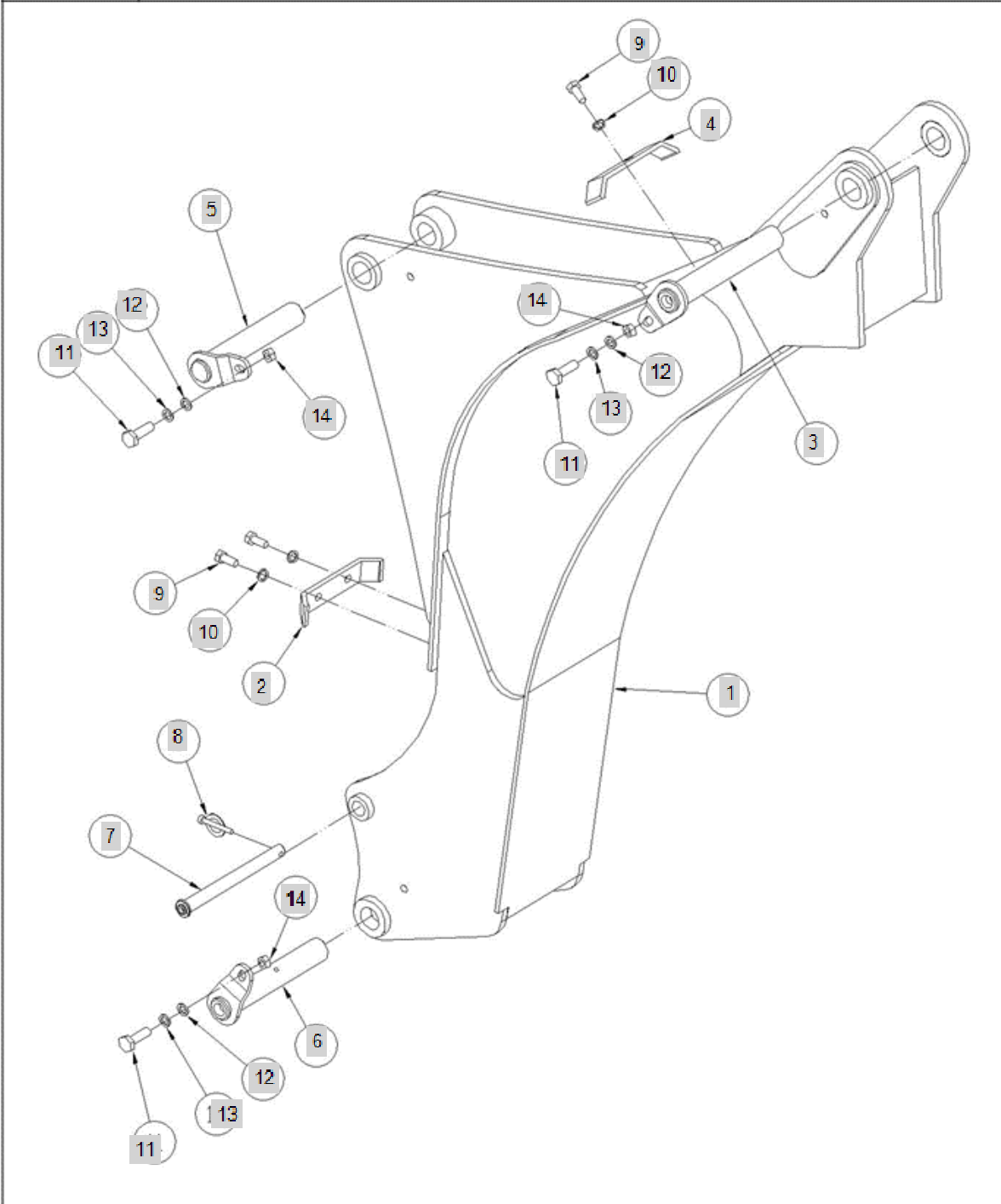


FIG A601

DIPPERSTICK FRAME ASSEMBLY

Year/Month

BH200

2020/02

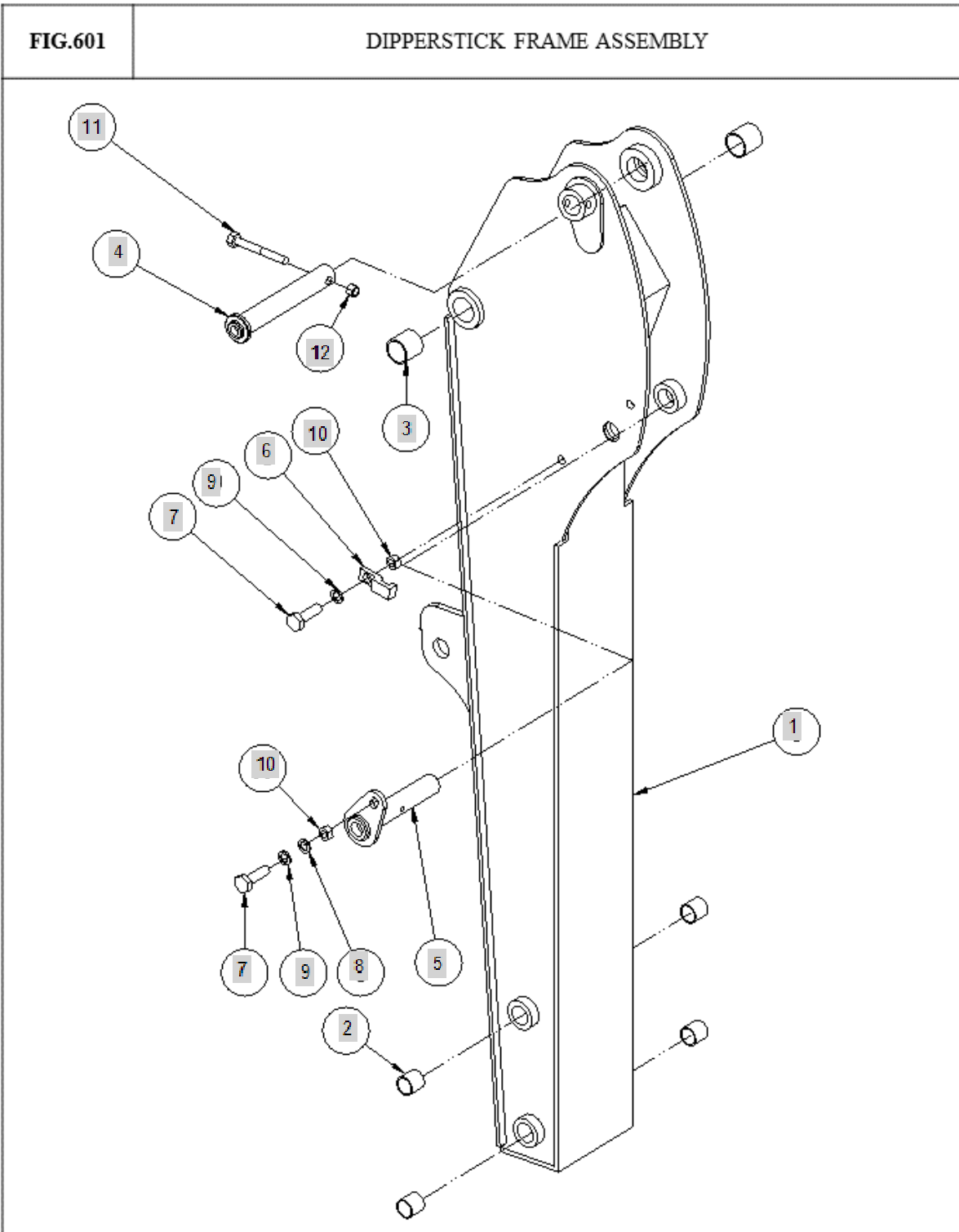


FIG A701

BUCKET FRAME & CONTROL VALVE ASSEMBLY

Year/Month

BH200

2020/02

FIG.701

BUCKET FRAME & CONTROL VALVE ASSEMBLY

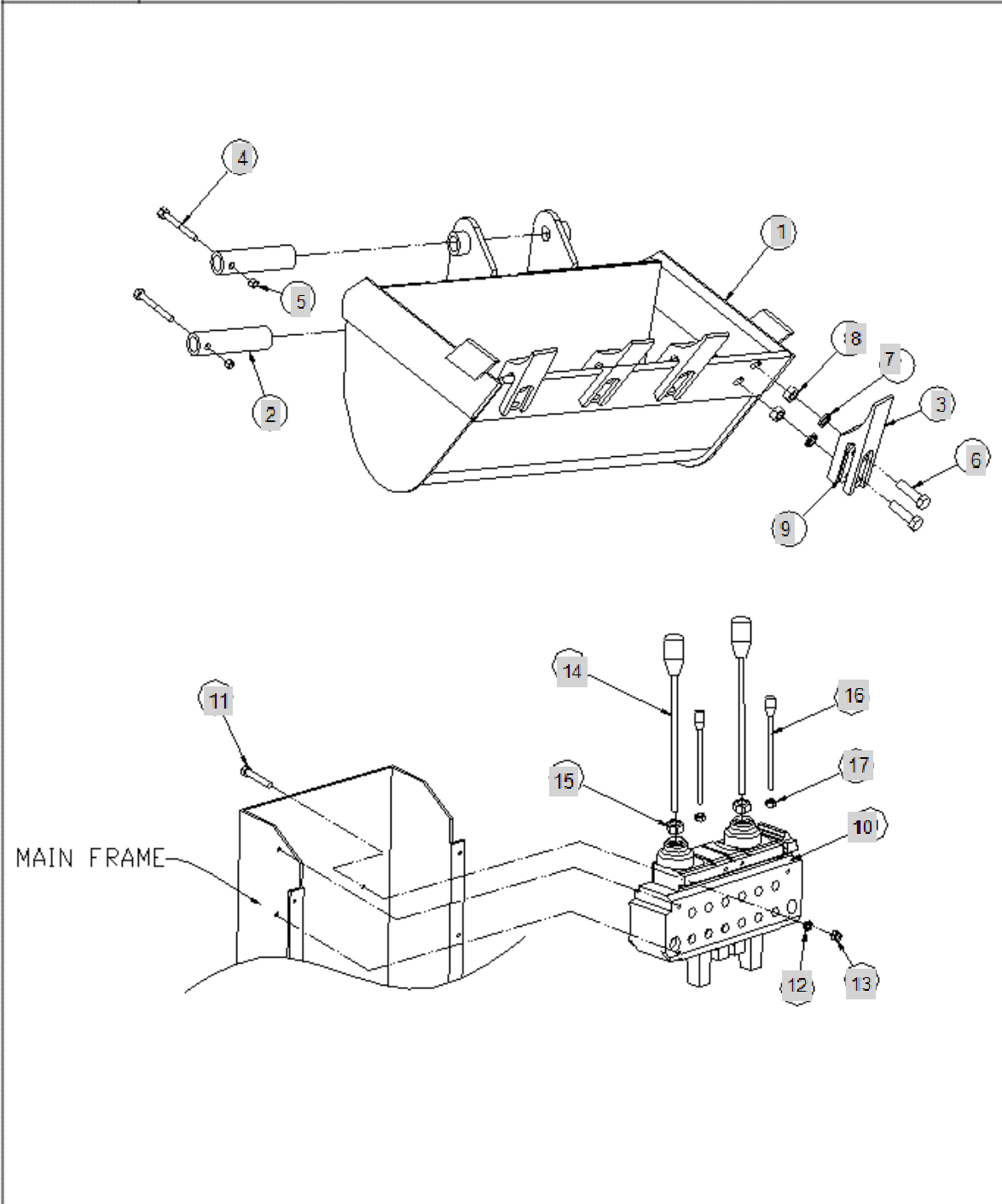


FIG A801

BH200

HOSE PITTING

Year/Month

2020/02

FIG.801

HOSE PITTING 1

