

# KUKJE B6610 Branson Backhoe

## Parts Catalogue



FIG C001

BUCKET

Year/Month

B6610

2020/02

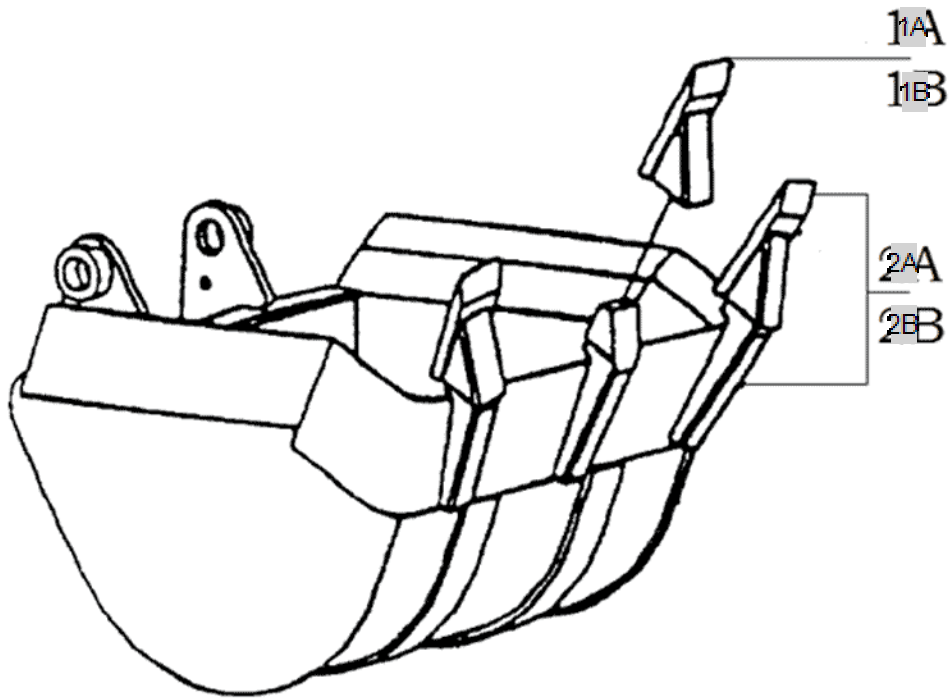




FIG C002

CONTROL TOWER AREA

Year/Month

B6610

2020/02

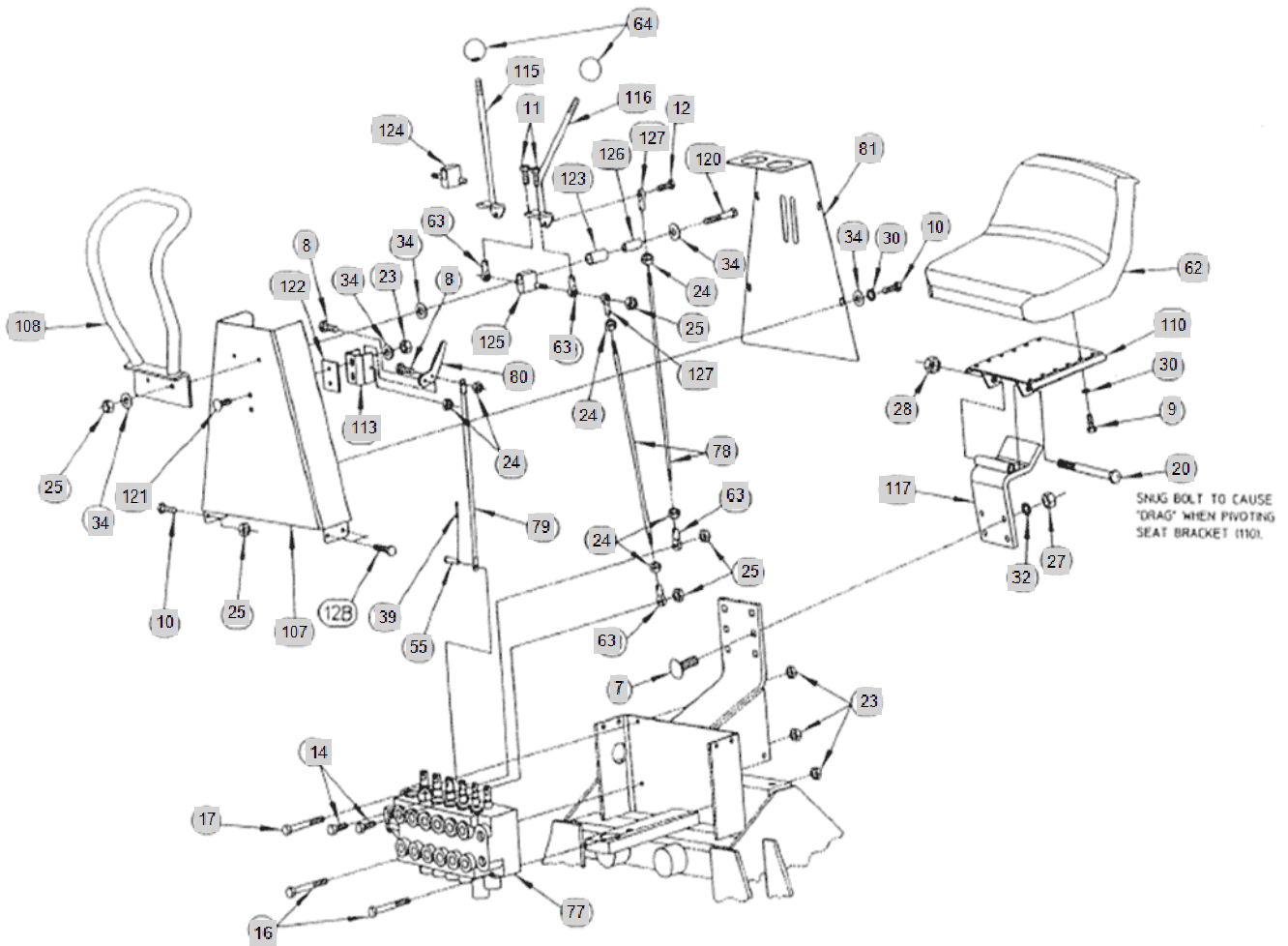


FIG C002		CONTROL TOWER AREA			Year/Month
B6610					2020/02
KeyNo.	Part Number	Part Name	Quantity	Other	
7	6669	BOLT 1/2 X NC X 1-3/4"	1		
8	6740	Bolt, 1/4 NC x 3/4"	1		
9	6787	Bolt	1		
10	6789	Bolt, 5/16 NF x 3/4"	1		
11	6790	Bolt	1		
12	6795	BOLT, HEX 5/16-24 X 1.00 GR 5	1		
14	6801	Bolt	1		
16	6806	Bolt, 5/16 NCx 3-1/4"	1		
17	6819	Bolt, 5/16 NC x 2- 3/4"	1		
20	7088	SEAT BRKT BOLT	1		
23	7433	Hex Nut	1		
24	7436	Nut, 5/16 NF	1		
25	7437	Lock Nut	1		
27	7501	NUT 1/2"	1		
28	7515		1		
30	8071	LOCK WASHER	1		
32	8101	Lock Washer 1/2"	1		
34	8152	Washer B06F	1		
39	8554	Cotter Pin, 3/32 x 3/4	1		
55	13436	Clevis Pin, 1/4 Dia x 7/8	1		
62	13919	SUB TO-> 866155	1		
63	14027	BALL JOINT	1		
64	14058	KNOB	1		
77	23066	CONTROL VALVE ASSEMBLE	1		
78	50817	Control Rod	1		
79	50818	Stabilizer Lever Control Rods	1		
80	50819	STABILIZER CONTROL LEVER	1		
81	50831	REAR SHROUD	1		
107	859530		1		
108	560515		1		
110	861700	SEAT PLATE WELDMENT	1		
113	861708	Lever Bracket	1		
115	863165	Right Hand Joystick Weldment	1		
116	863170	HANDLE	1		
117	861720	SEAT BRACKET WELDMENT	1		
120	6808	Bolt	1		
121	6580	Bolt, Carriage 5/16 NC x 1-1/4"	1		
122	860279	Spacer	1		
123	11973	BUSHING	1		
124	863175	RH PIVOT WELDMENT	1		
125	863180	LH PIVOT WELDMENT	1		
126	863184	Bushing B15H	1		
127	14024	SUB TO -> 14022	1		
128	6779	Bolt, 5/16 NFx 5/8" gr. 5	1		

FIG C003

STABILIZER LEG AREA

Year/Month

B6610

2020/02

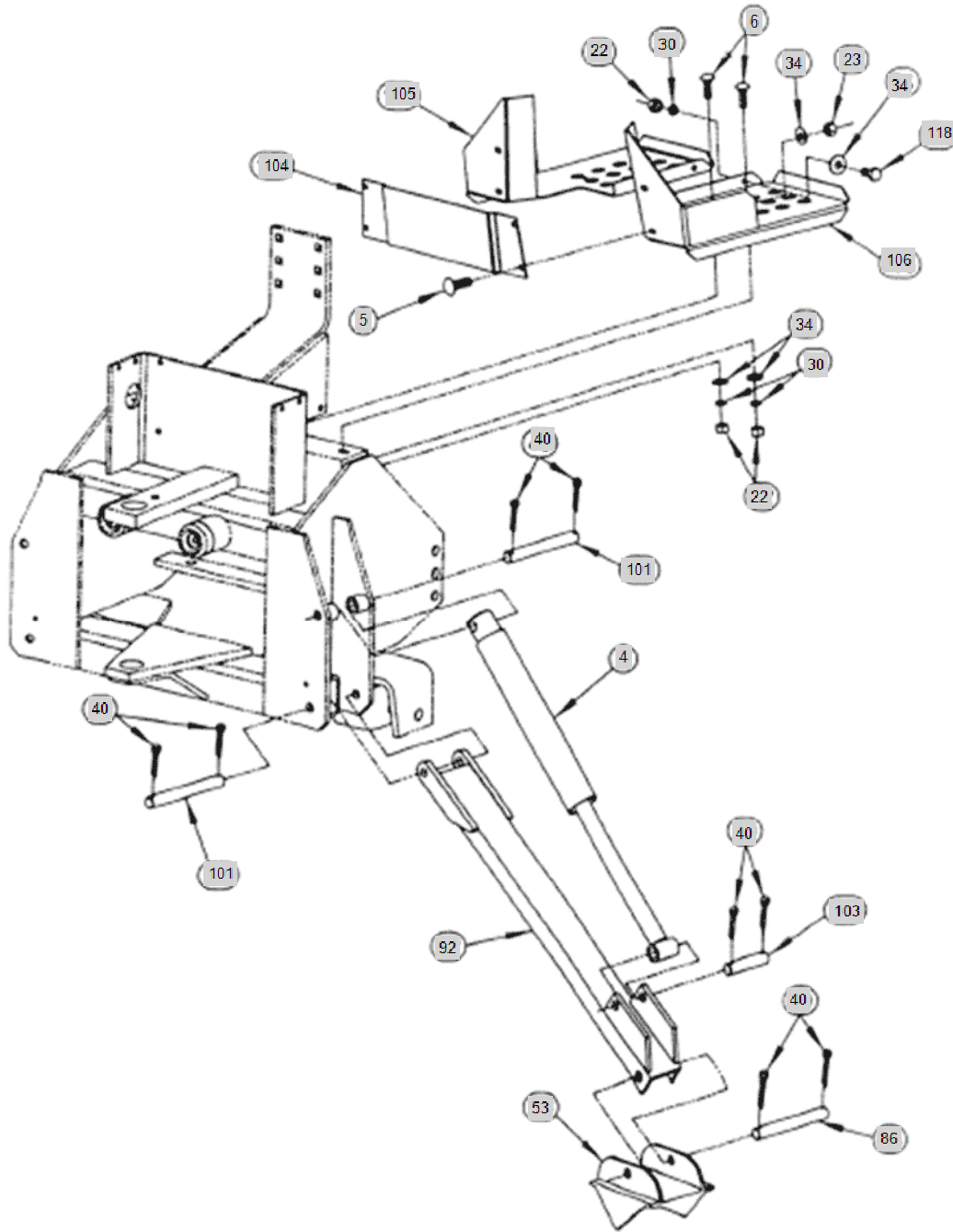






FIG C004

SWING SYSTEM AREA

Year/Month

B6610

2020/02

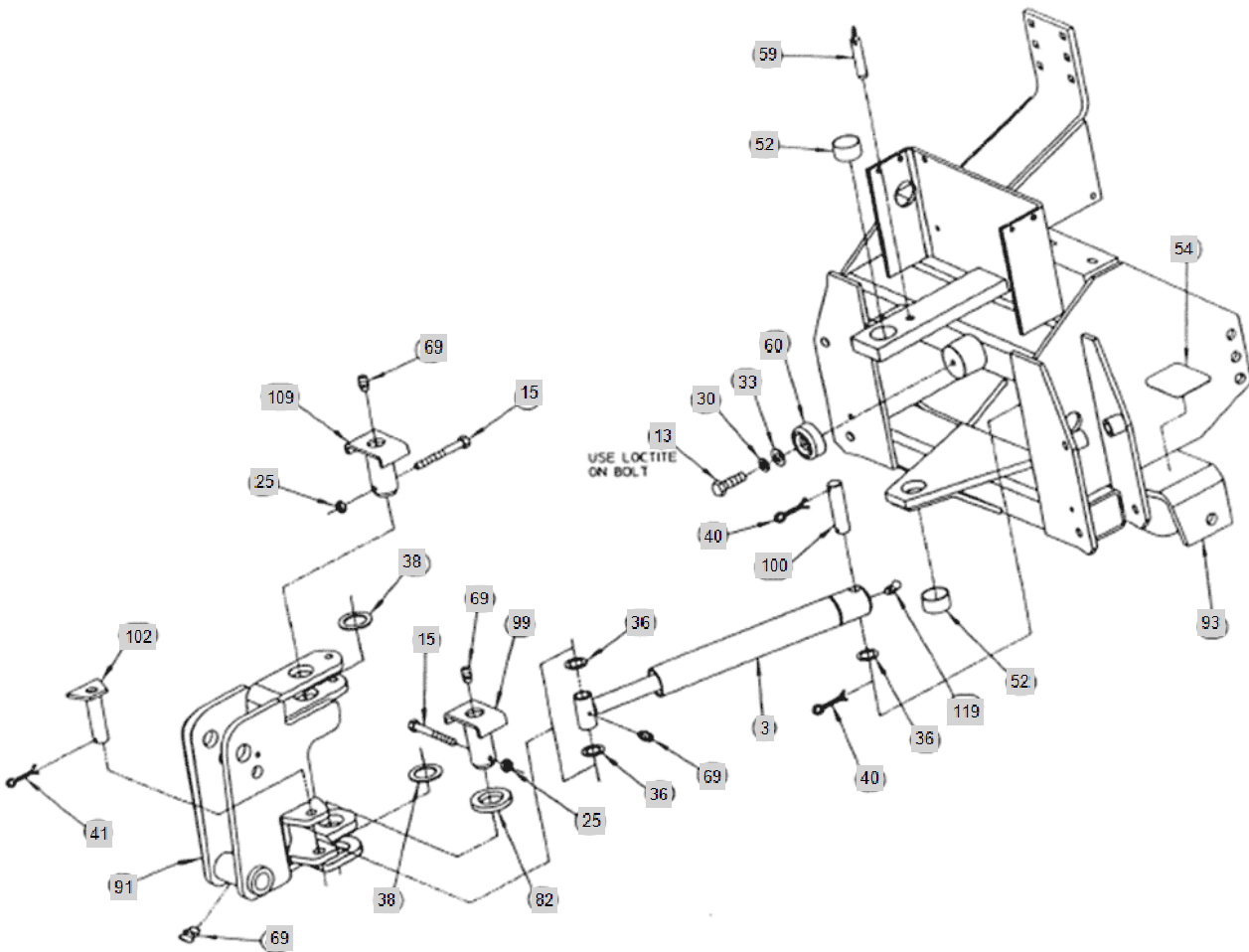




FIG C005

BOOM, DIPPERSTICK, AND BUCKET AREA

Year/Month

B6610

2020/02

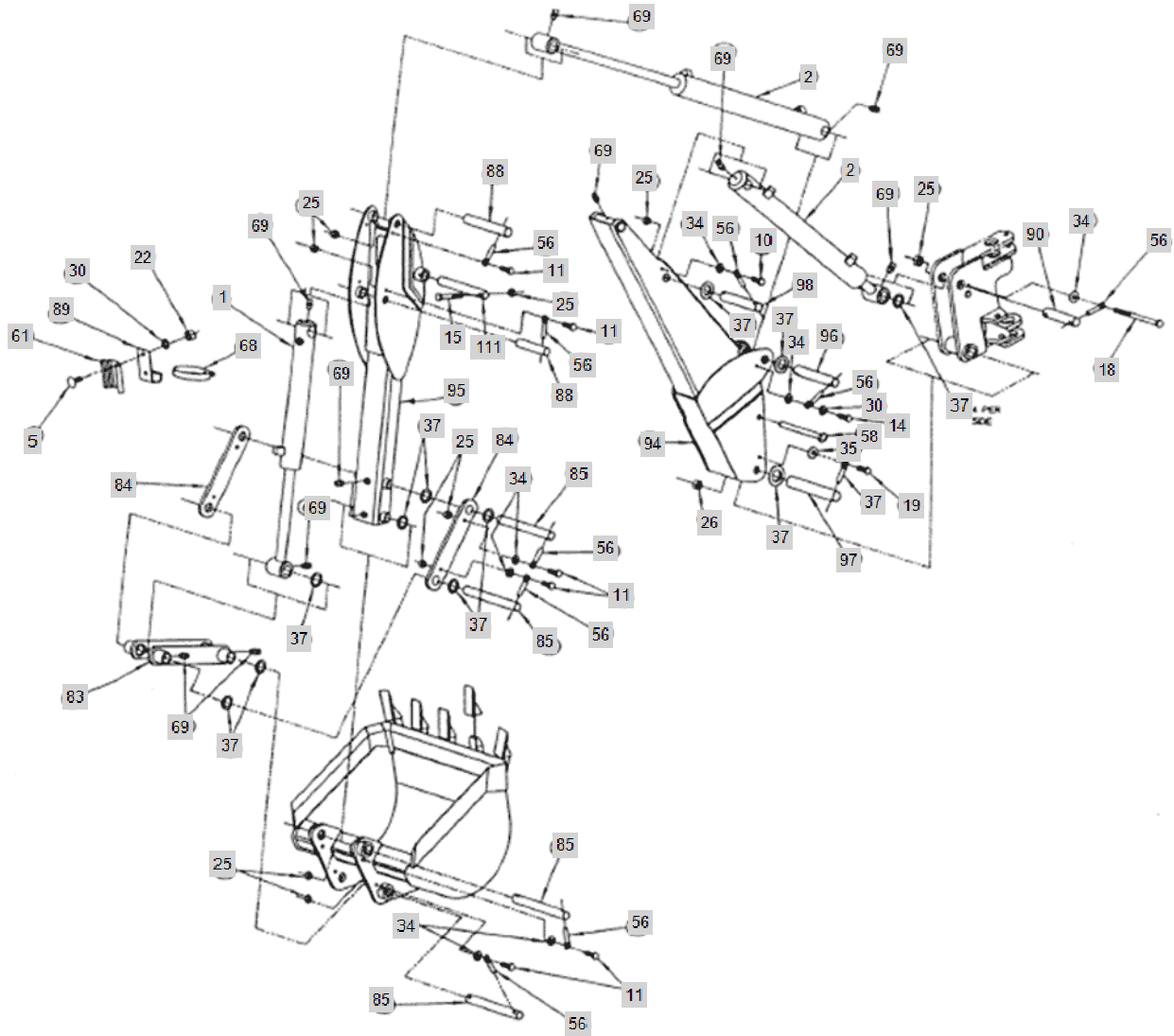




FIG C006

HYDRAULIC PLUMBING

Year/Month

B6610

2020/02

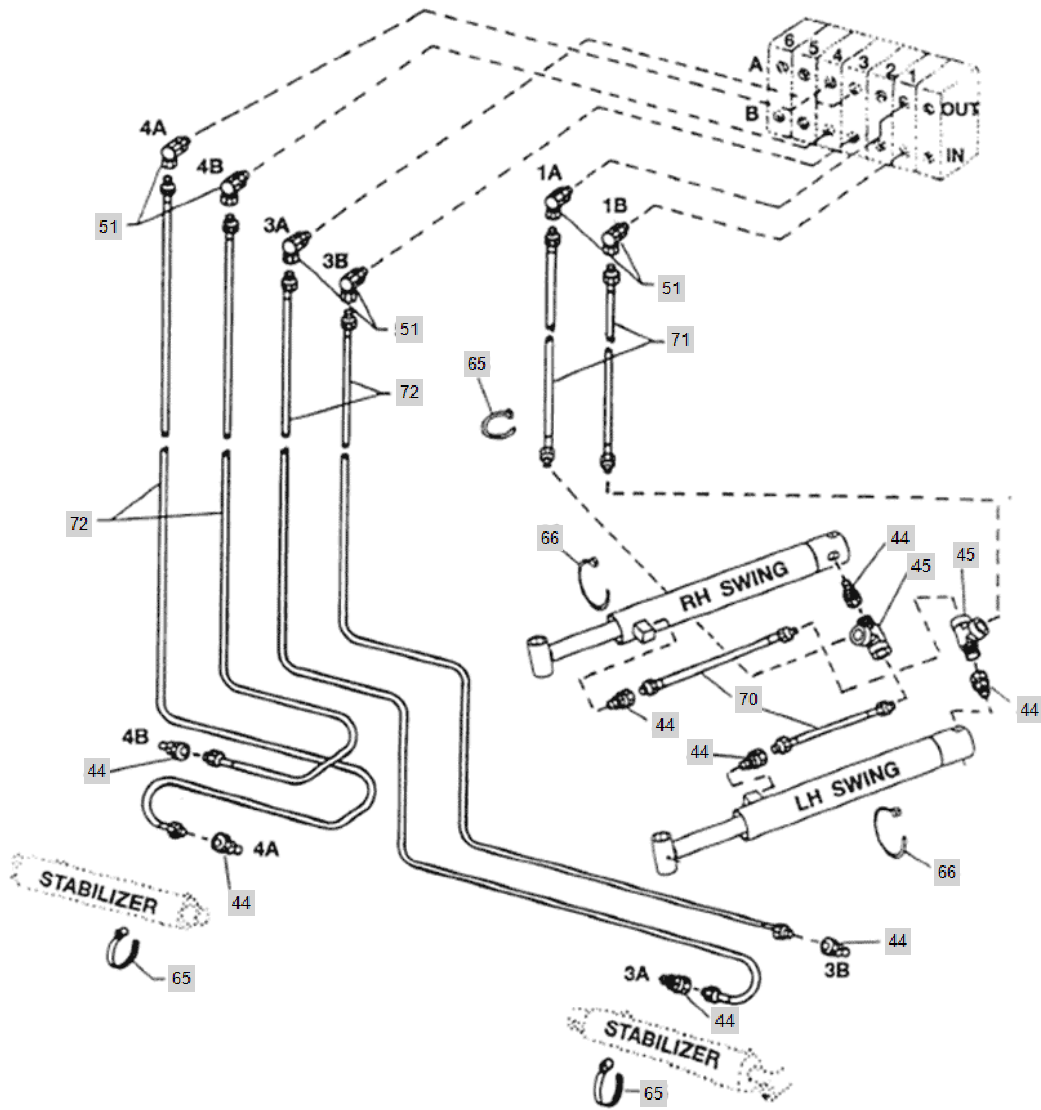




FIG C007

HYDRAULIC PLUMBING

Year/Month

B6610

2020/02

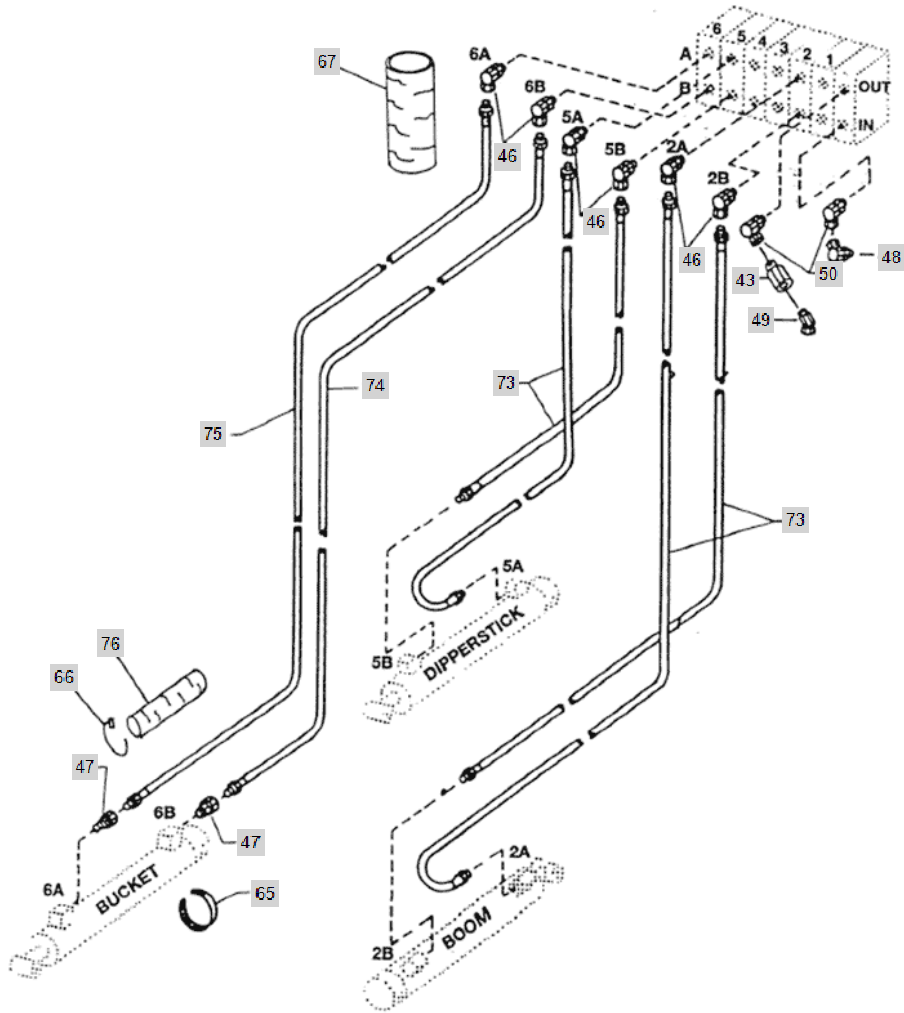






FIG C008

CYLINDERS

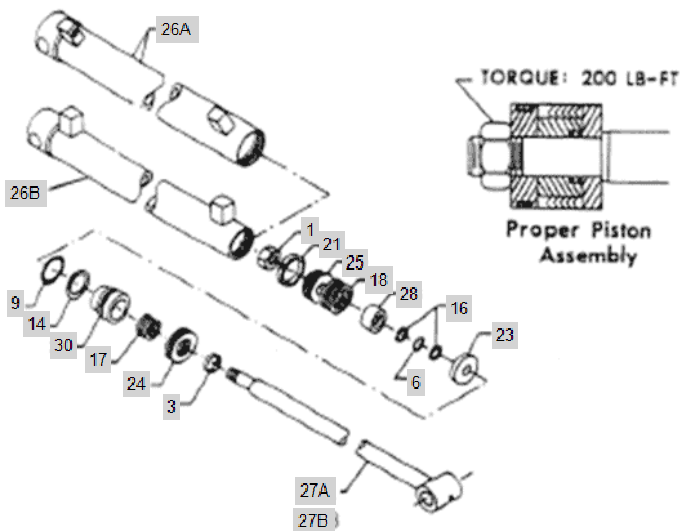
Year/Month

B6610

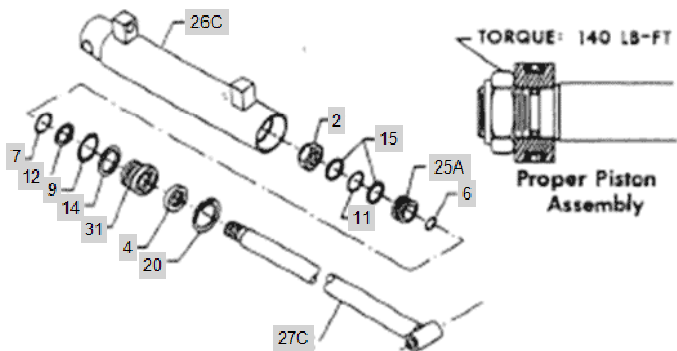
2020/02

124 Cylinder  
Lift and Crowd

083 Cylinder  
Bucket



189 Cylinder  
Stabilizer



187 Cylinder  
Swing

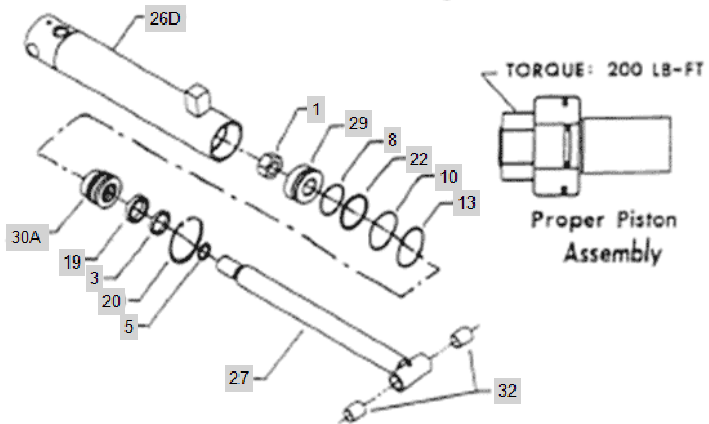


FIG C008		CYLINDERS			Year/Month
B6610					2020/02
KeyNo.	Part Number	Part Name	Quantity	Other	
1	7574	Nut	1		
2	7712	Lock nut	1		
3	N/A	SEE COMMENTS.	1		
4	N/A	SEE COMMENTS.	1		
5	N/A	SEE COMMENTS.	1		
6	N/A	SEE COMMENTS.	1		
7	N/A	SEE COMMENTS.	1		
8	N/A	SEE COMMENTS.	1		
9	N/A	SEE COMMENTS.	1		
10	N/A	SEE COMMENTS.	1		
11	N/A	SEE COMMENTS.	1		
12	N/A	SEE COMMENTS.	1		
13	N/A	SEE COMMENTS.	1		
14	N/A	SEE COMMENTS.	1		
15	N/A	SEE COMMENTS.	1		
16	N/A	SEE COMMENTS.	1		
17	N/A	SEE COMMENTS.	1		
18	N/A	SEE COMMENTS.	1		
19	N/A	SEE COMMENTS.	1		
20	N/A	SEE COMMENTS.	1		
21	N/A	SEE COMMENTS.	1		
22	N/A	SEE COMMENTS.	1		
23	904467		1		
24	904053		1		
25	904466		1		
25A	904231	PISTON	1		
26A	904620		1		
26B	904450	HYD CYLINDER BARREL	1		
26C	904775	Cylinder Tube	1		
26D	903145	Cylinder Tube Weldment	1		
27A	904630	ROD WELDMENT	1		
27B	904460	ROD WELDMENT	1		
27C	904785	PISTON ROD	1		
27D	903155	ROD WELDMENT	1		
28	904430		1		
29	903160	Piston Assembly with O-Ring	1		
30	904540		1		
30A	903165	GLAND	1		
31	904232	GLAND	1		
32	11974	Bronze Bearing, 7/8 OD x 3/4 ID x 1"	1		
NI	904485	CYLINDER REPAIR KIT FOR 6600	1		
NI	904260	SEAL KIT FOR CYL 189	1		
NI	903175	Seal kit FOR 187 CYLINDER FOR BACKHOE	1		
NO	ITEM		QTY		
NI	124	Lift/ Crowd Cylinder ass'y B6610	1		

