

KUKJE A2400TCI-NTR Branson Engine

Parts Catalogue

FIG E001

CYLINDER BLOCK)

Year/Month

A2400TCI-NTR

2020/02

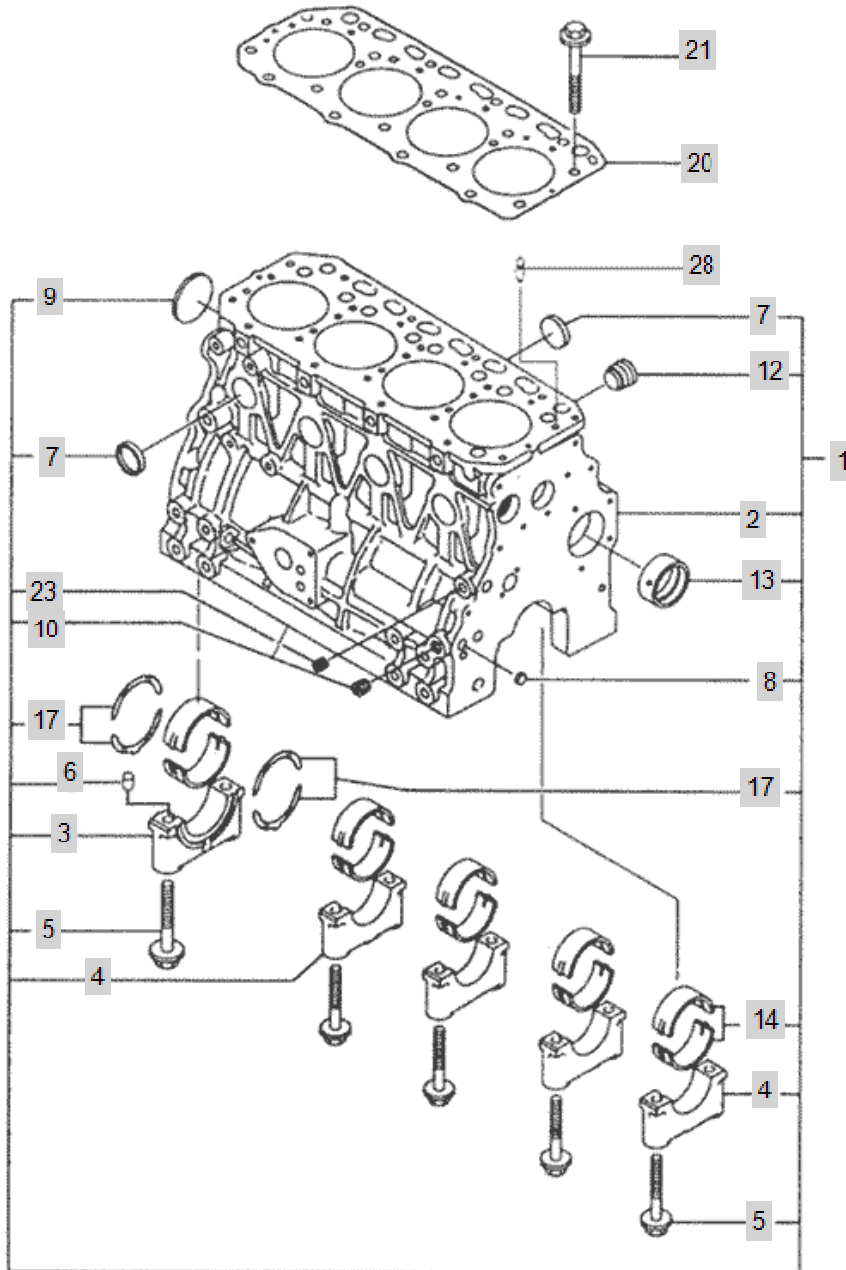


FIG E002

GEAR CASE

Year/Month

A2400TCI-NTR

2020/02

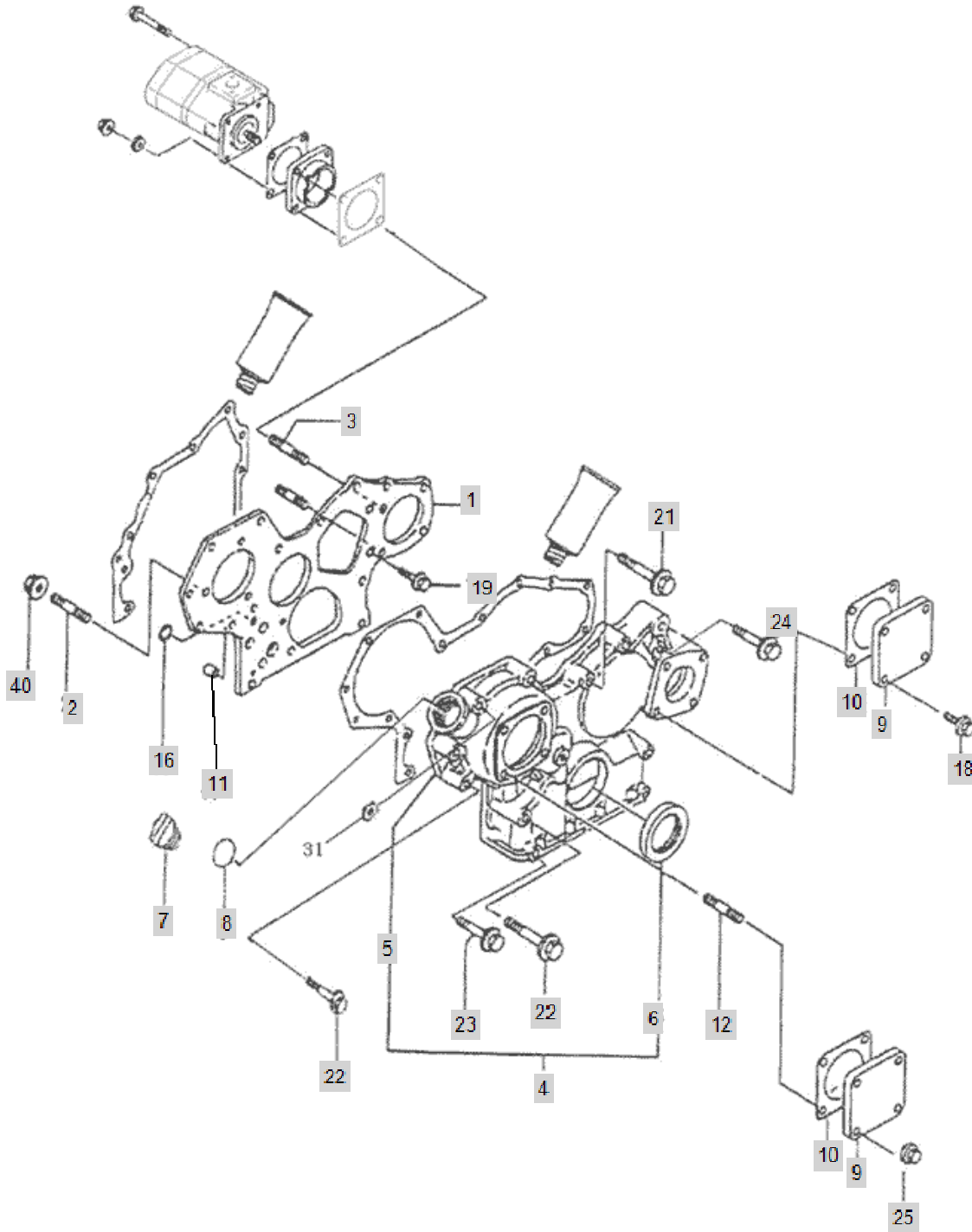


FIG E003

MOUNTING FLANGE & OIL PAN

Year/Month

A2400TCI-NTR

2020/02

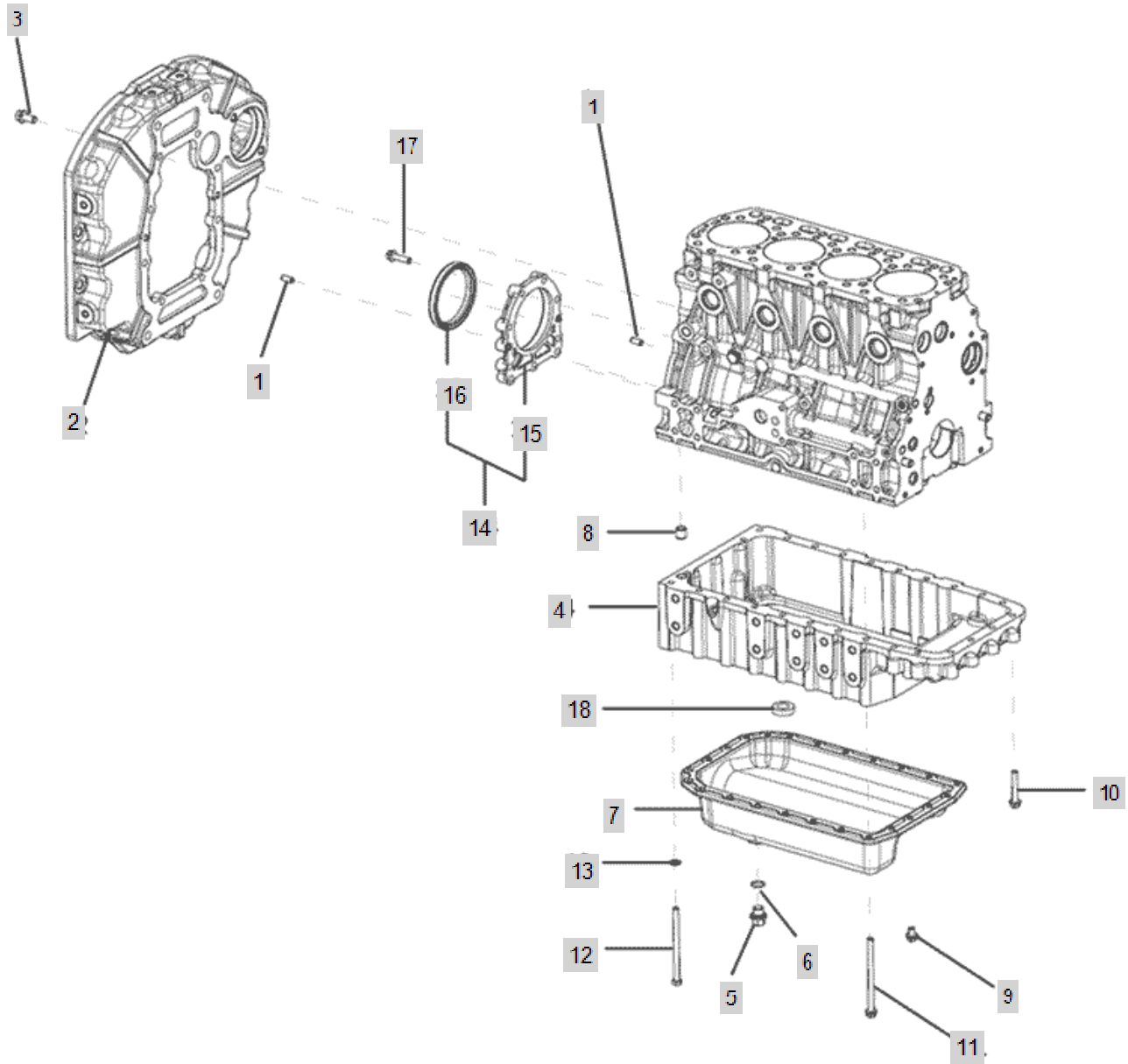


FIG E004B

CYLINDER HEAD & HEAD COVER(A2400TCI-NTR)

Year/Month

A2400TCI-NTR

2020/02

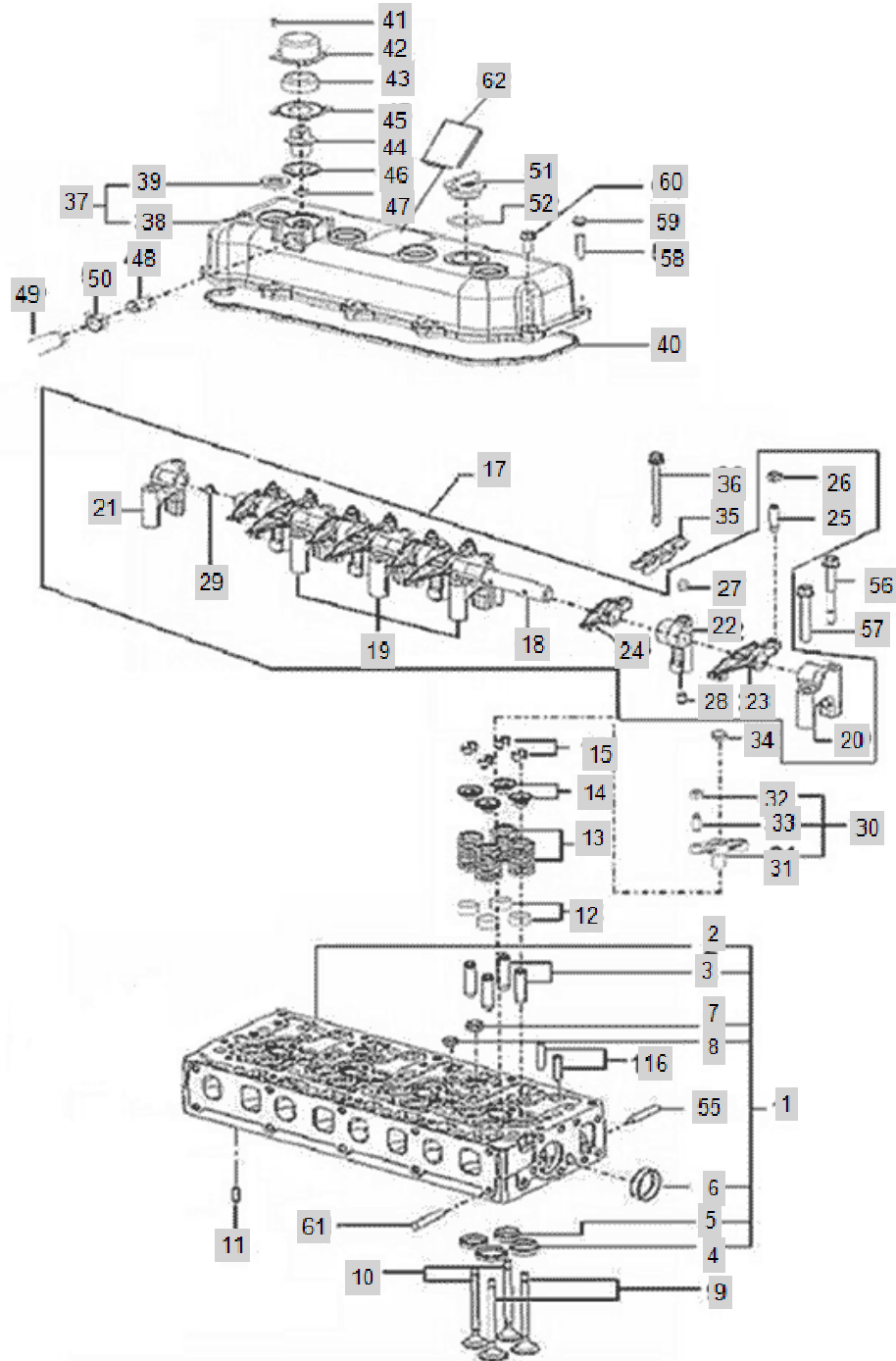


FIG E004B		CYLINDER HEAD & HEAD COVER(A2400TCI-NTR)			Year/Month
A2400TCI-NTR					2020/02
KeyNo.	Part Number	Part Name	Quantity	Other	
1	HRJ2201000A9	HEAD, CYLINDER	1		
2	HRJ2201001A0	BLOCK~~ CYLINDER	1		
3	HRJ2201003A4	VALVE GUIDE	16		
4	HRJ2201004A3	SEAT,INTAKET VALVE	8		
5	HRJ2201005A3	SEAT,EXHAUST VALVE	8		
6	27241-400000	PLUG (D40)	2		
7	27241-200000		4		
8	27241-160000	PLUGEXPANSION	3		
9	HRJ2201008A3	VALVE,INTAKE	8		
10	HRJ2201009A3	VALVE,EXHAUST	8		
11	22312-040100	PIN, DOWEL (4-10)	2		
12	HC03090000A4	SEAL,VALVESTEM	16		
13	HRJ2201010A4	SPRING~~VALVE	16		
14	HRJ2201011A3	RETAINER,VALVE SPRING	16		
15	HT03010600A3	COTTER, VALVE SPRING	32		
16	EA00001887A	PIN, VALVE BRIDGE	8		
17	HRJ0370001A9	SHAFT ASSY, ROCKER ARM	1		
18	HRJ0370101A3	LEVER~~ROCKER	1		
19	HRJ0370102A3	SUPPORT~~ROCKER LEVER	3		
20	HRJ0370103A3	SUPPORT~~ROCKER LEVER	1		
21	HRJ0370104A3	SUPPORT~~ROCKER LEVER	1		
22	HRJ0370105A3	SUPPORT~~INJECTOR CLAMP	4		
23	HRJ0370106A3	LEVER~~INTAKE ROCKER	4		
24	HRJ0370107A3	LEVER~~EXHAUST ROCKER	4		
25	AF02110000E4	SCREW,RKRLEVERADJUSTING	8		
26	HH05280000A4	NUT,VALVEADJUSTING	8		
27	HRJ0370108A4	PIBOT,INJECTER CLAMP	4		
28	HRJ0370109A4	PIN,DOWEL	4		
29	27241-100000	PLUG 10	1		
30	HRJ0370200A4	BRIDGE,VALVE	8		
31	HRJ0370201A3	BRIDGE,VALVE	8		
32	HRJ0370202A4	SCREW, VALVE BRIDGE ADJUSTING	8		
33	HRJ0370203A4	NUT, VALVE ADJUSTING	8		
34	HRJ0370300A4	SHIM, VALVE BRIDGE	8		
35	HRJ0260200A3	CLAMP, INJECTOR	4		
36	HRJ0260300A4	BOLT,CLAMP	4		
37	EA00002179A	VALVE COVER	1		
38	EA00002178A	HEAD COVER	1		
39	HRJ0450300A4	OIL SEAL,FULE TUBE	4		
40	HRJ0450200A3	PACKING, HEADCOVER	1		
41	26587-040102	SCREW,FILLISTERHEADCAP	4		
42	HRA0403600A4	COVER,BREATHER	1		
43	HC03720000B4	BAFFLE	2		
44	HRA0403700A4	Valve, Pressure Relief	1		
45	HRA0403800A4	GASKET,BREATHER	1		

FIG E005

INTAKE MANIFOLD

Year/Month

A2400TCI-NTR

2020/02

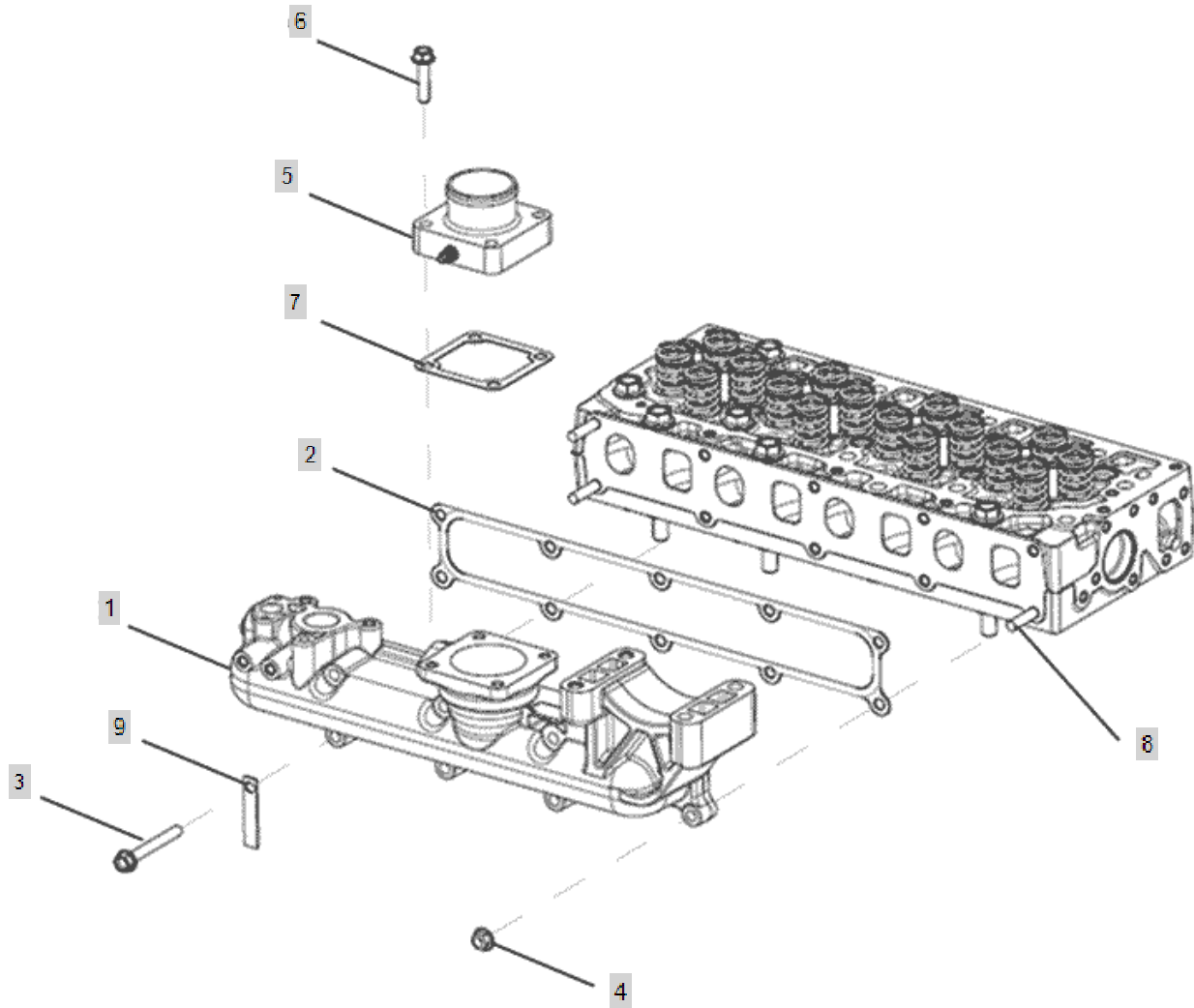


FIG E006

EXHAUST MANIFOLD & TURBO CHARGER

Year/Month

A2400TCI-NTR

2020/02

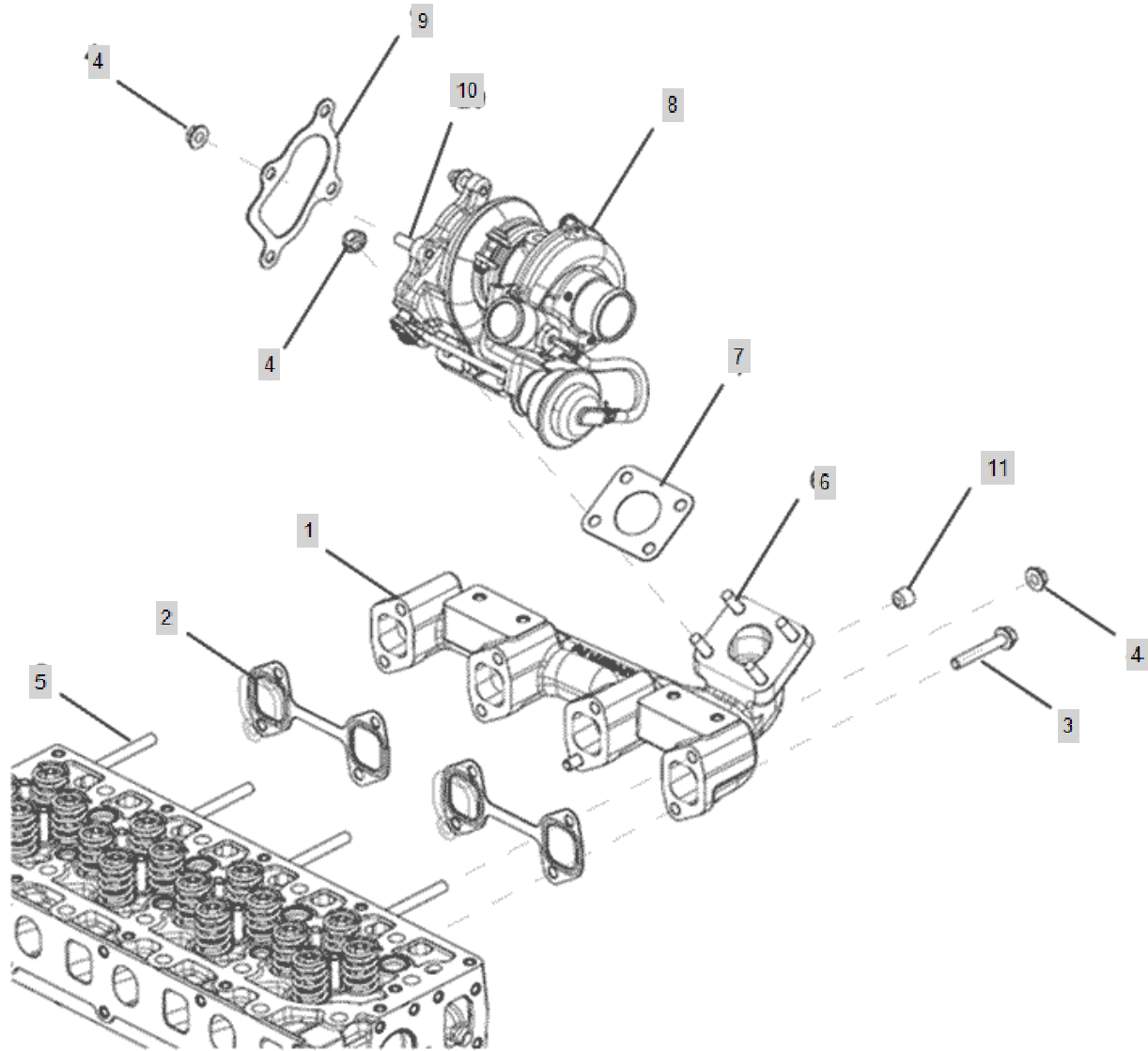


FIG E007

CAM SHAFT & DRIVING GEAR

Year/Month

A2400TCI-NTR

2020/02

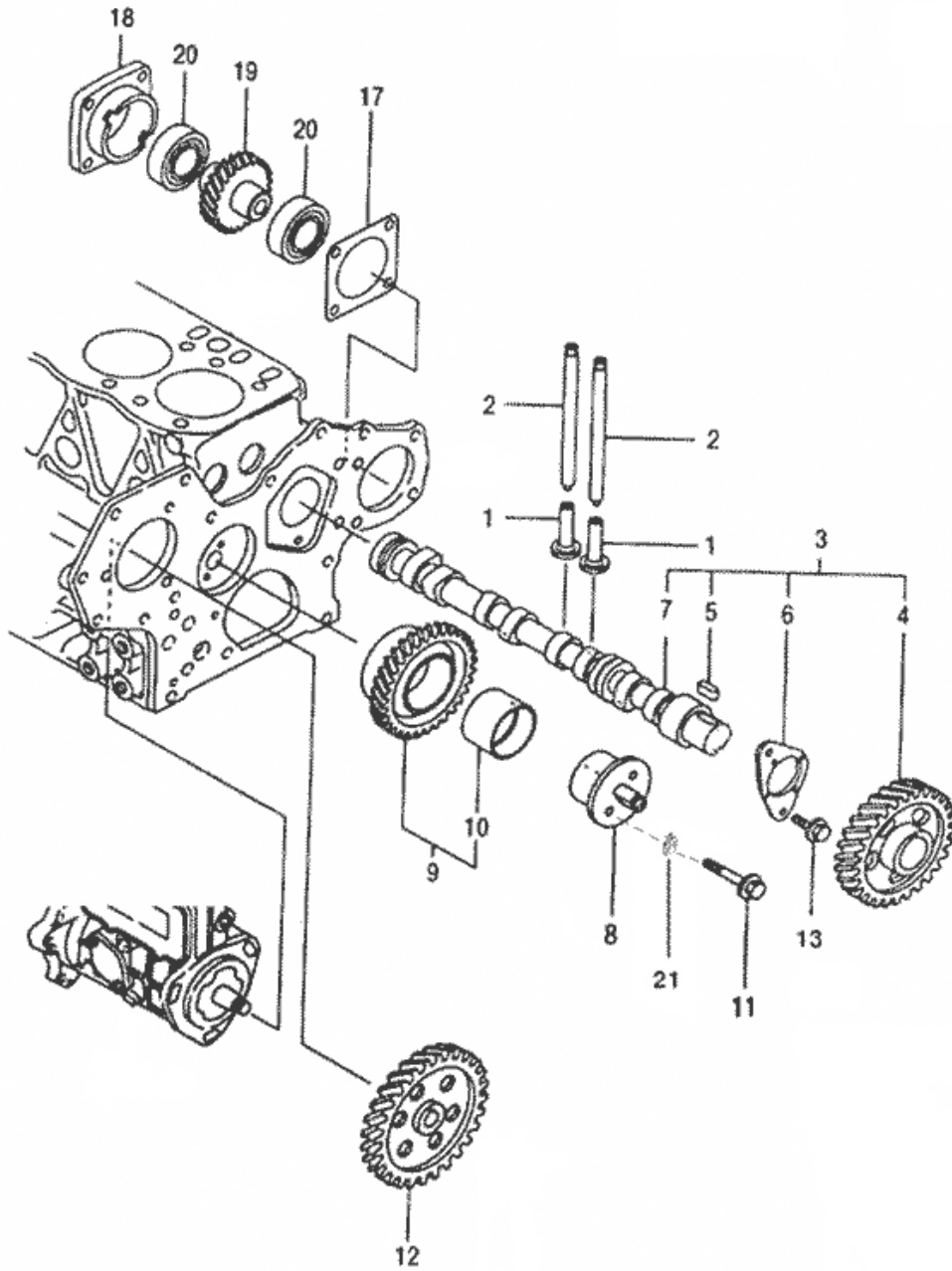


FIG E008

A2400TCI-NTR

CRANK SHAFT & PISTON

Year/Month

2020/02

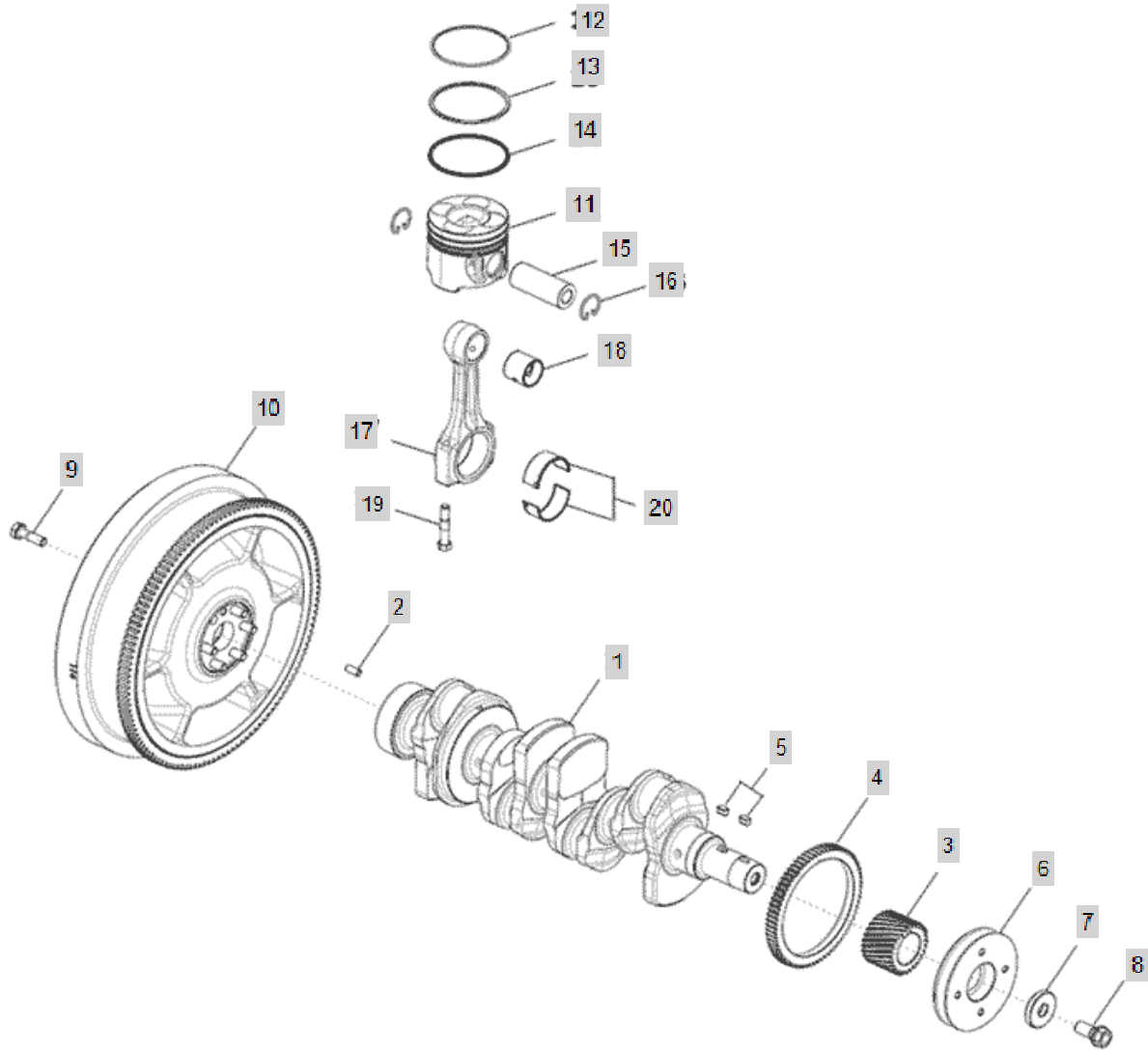


FIG E010

A2400TCI-NTR

BALANCER

Year/Month

2020/02

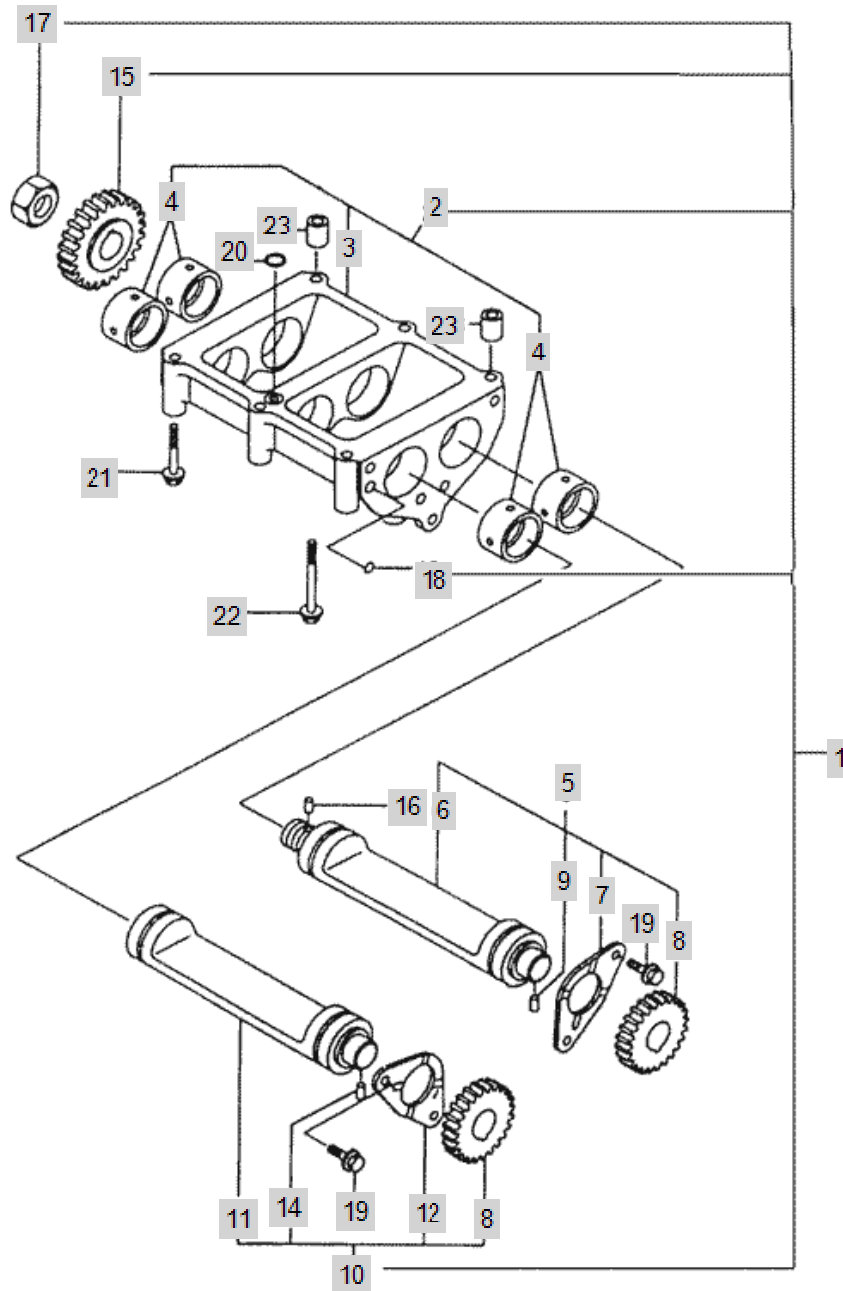


FIG E011

LUB. OIL SYSTEM

Year/Month

A2400TCI-NTR

2020/02

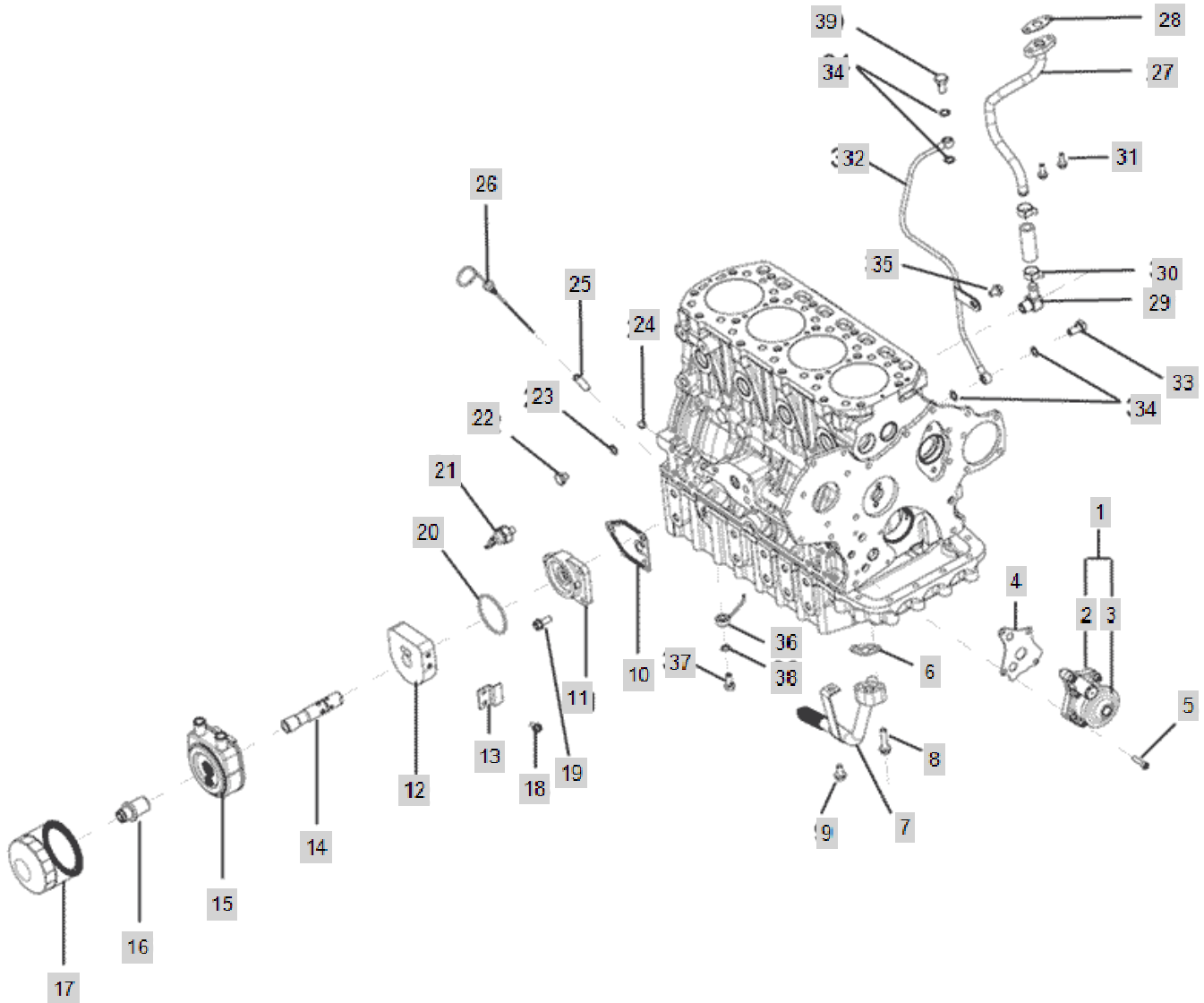


FIG E012

COOLING SYSTEM

Year/Month

A2400TCI-NTR

2020/02

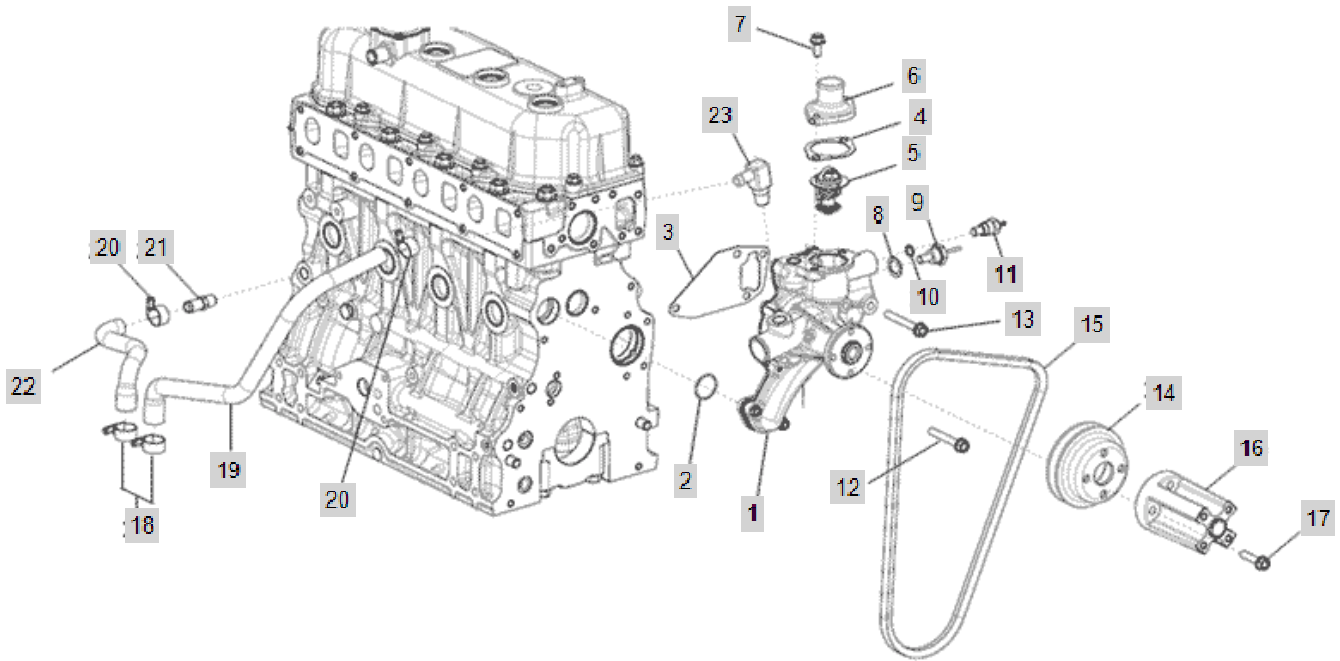


FIG E013

FUEL INJECTION PUMP

Year/Month

A2400TCI-NTR

2020/02

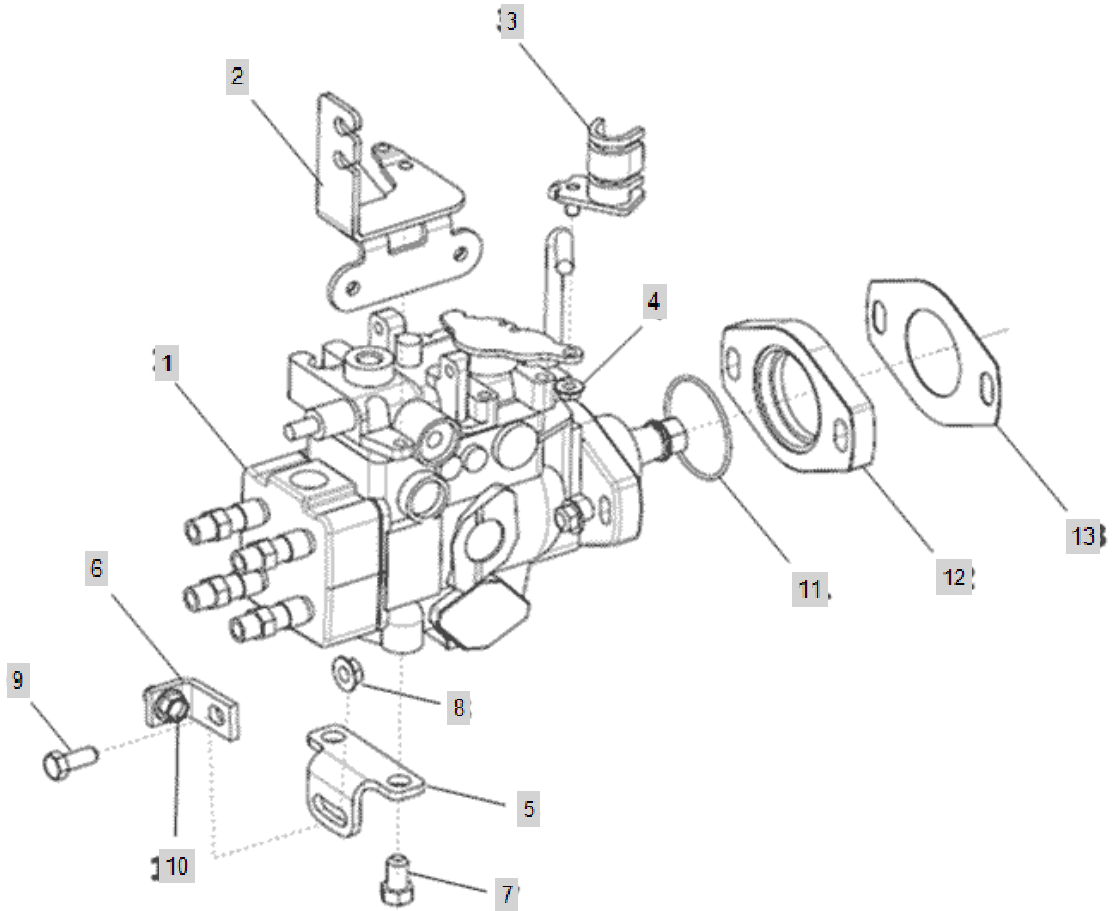


FIG E015

FUEL INJECTION SYSTEM

Year/Month

A2400TCI-NTR

2020/02

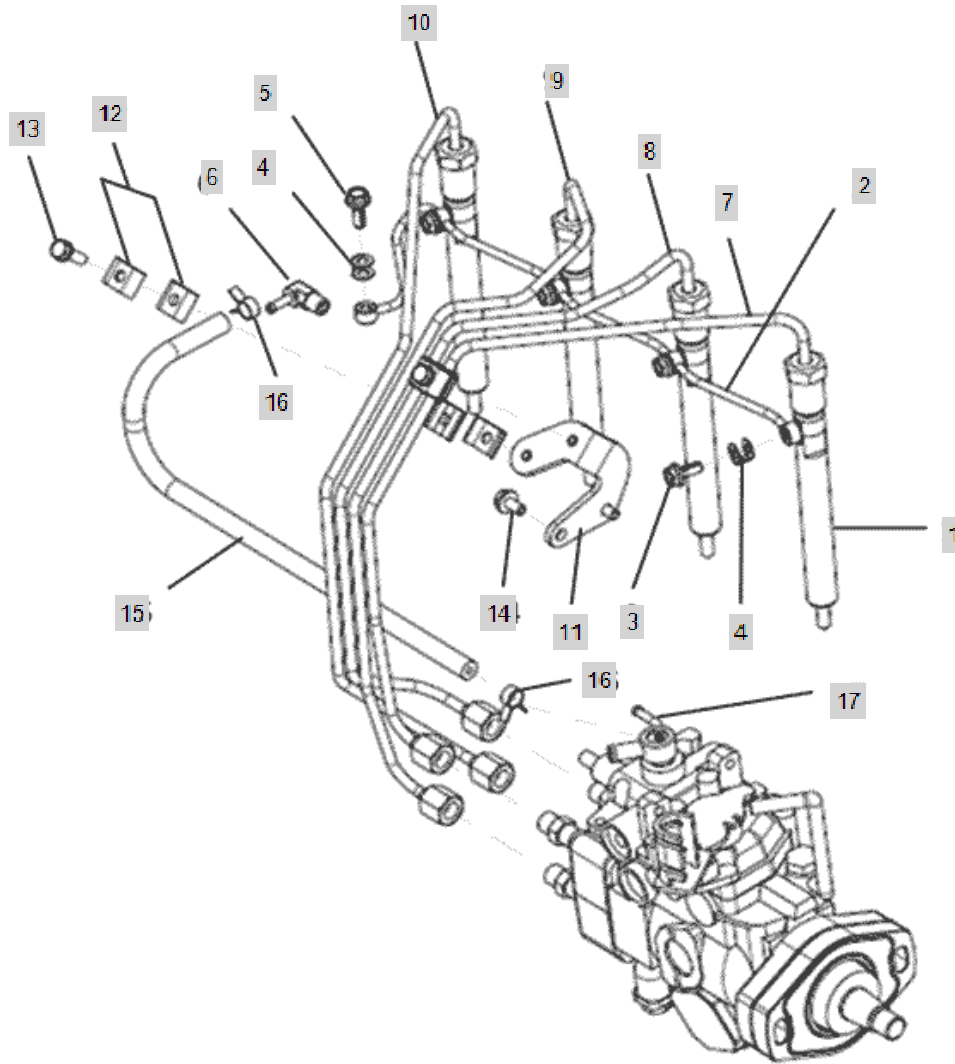


FIG E017

STARTING MOTOR

Year/Month

A2400TCI-NTR

2020/02

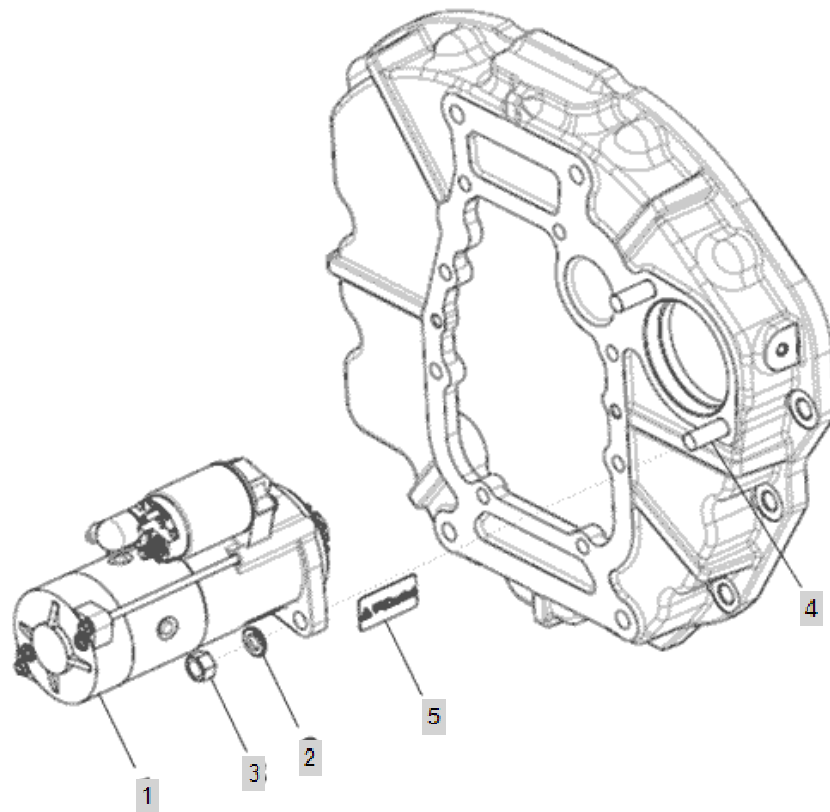


FIG E018

GENERATOR & ELECTRIC DEVICE

Year/Month

A2400TCI-NTR

2020/02

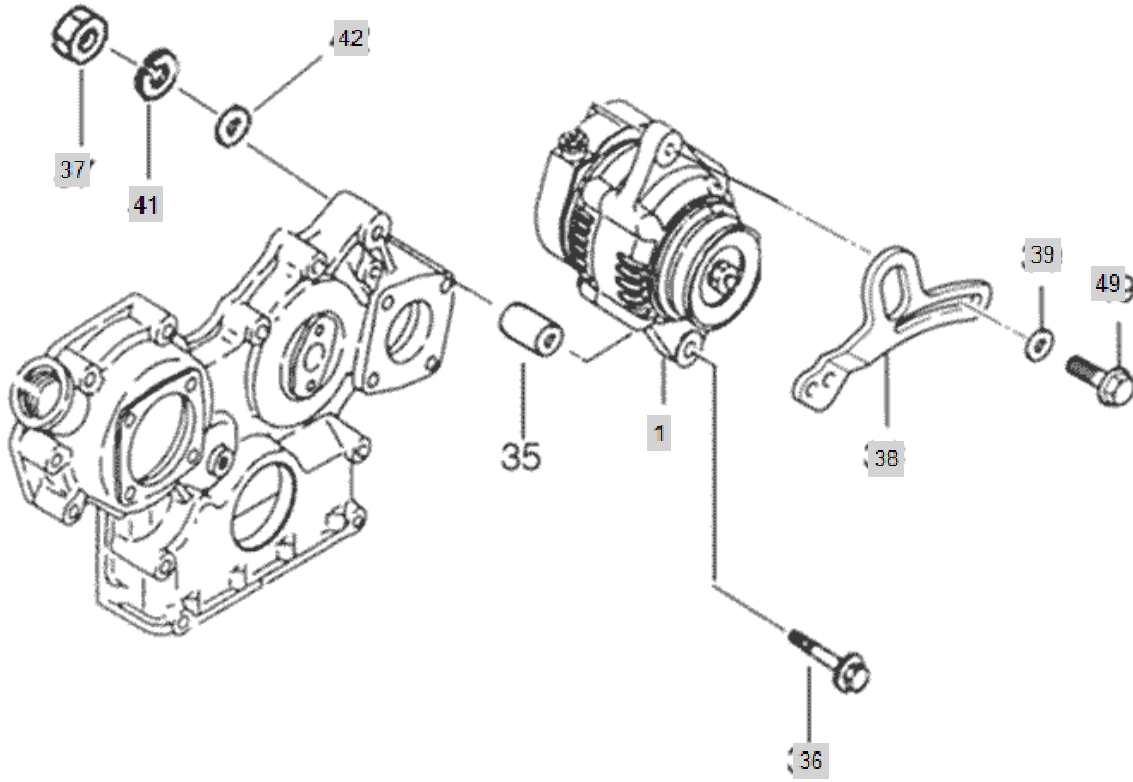


FIG E019

FUEL FILTER

Year/Month

A2400TCI-NTR

2020/02

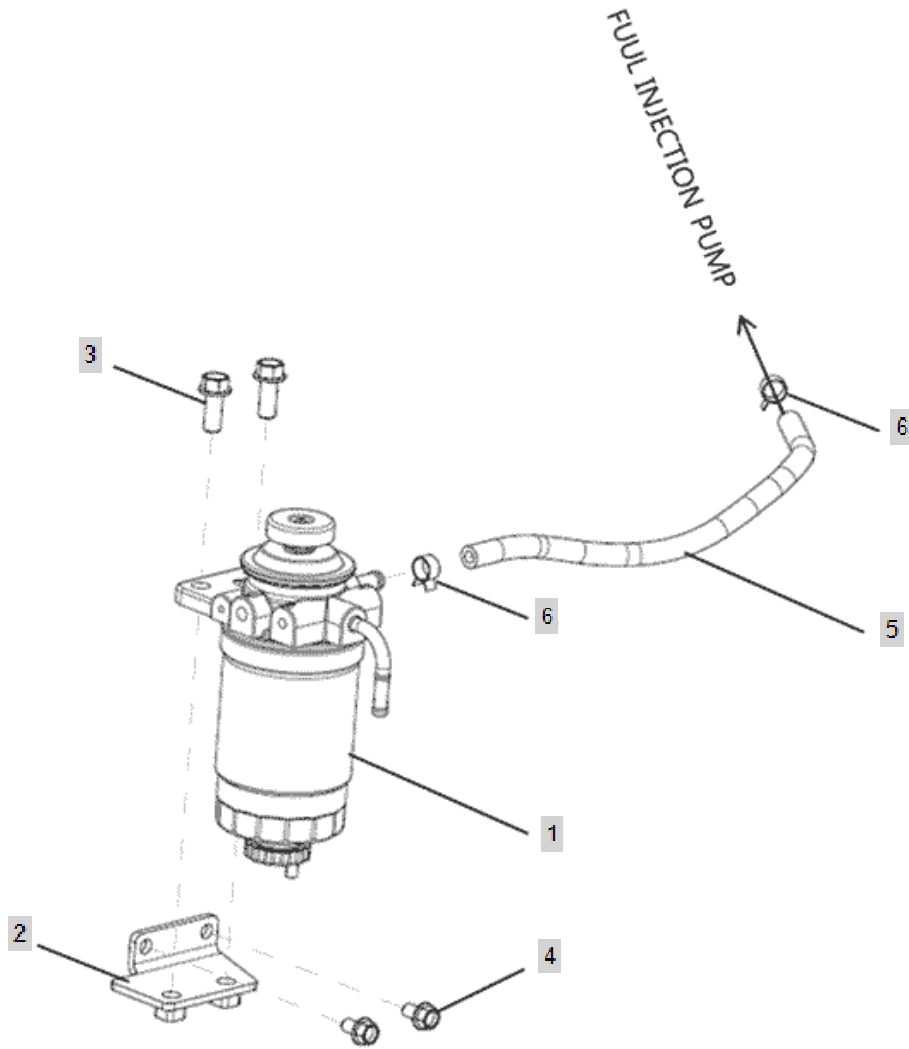


FIG E020

A2400TCI-NTR

MUFFLER

Year/Month

2020/02

