

KUKJE A1700N5-UTC_4 Branson Engine

Parts Catalogue

FIG E001

Year/Month

A1700N5-UTC_4

CYLINDER BLOCK)

2020/02

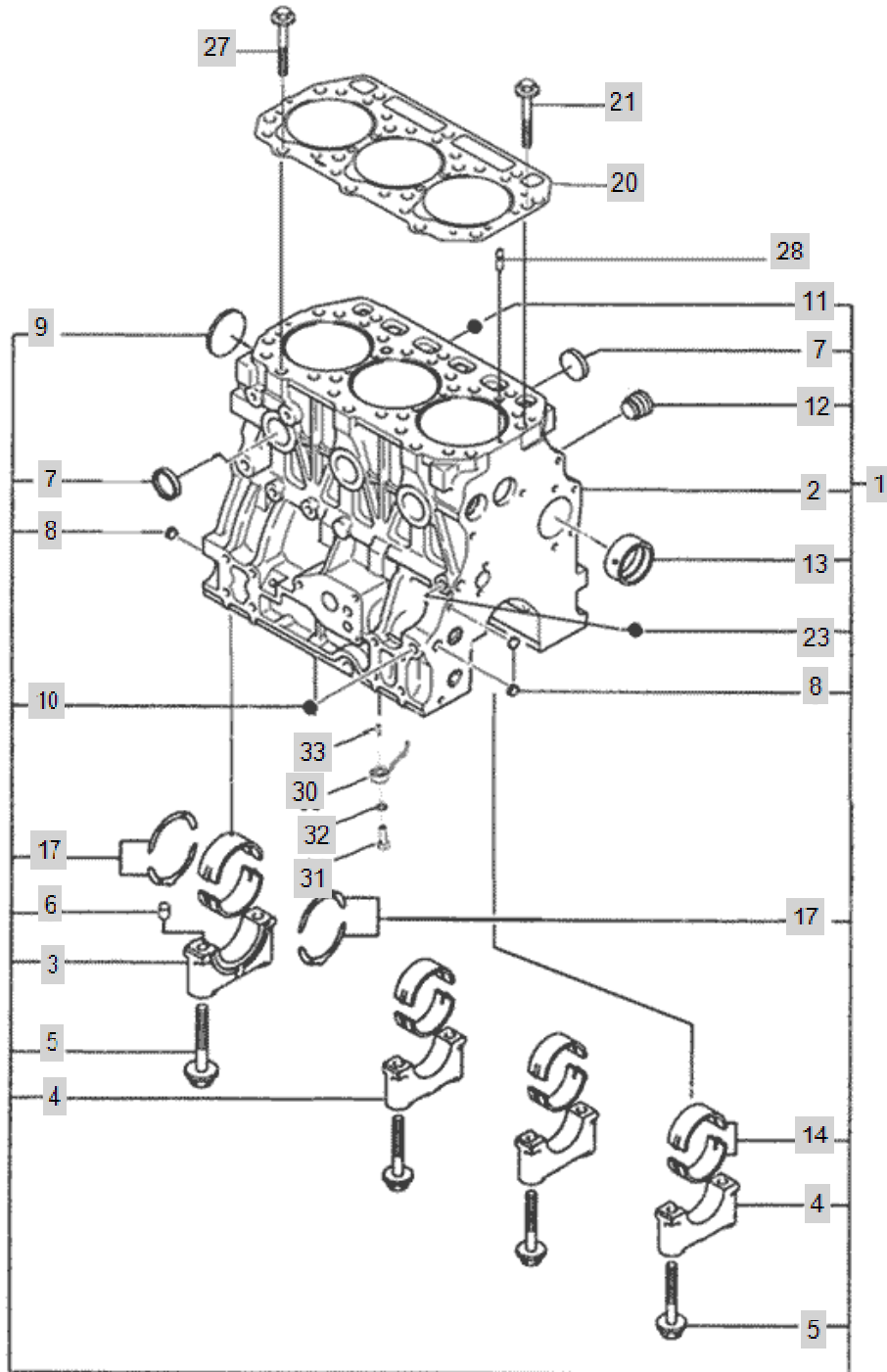


FIG E002

GEAR CASE

Year/Month

A1700N5-UTC_4

2020/02

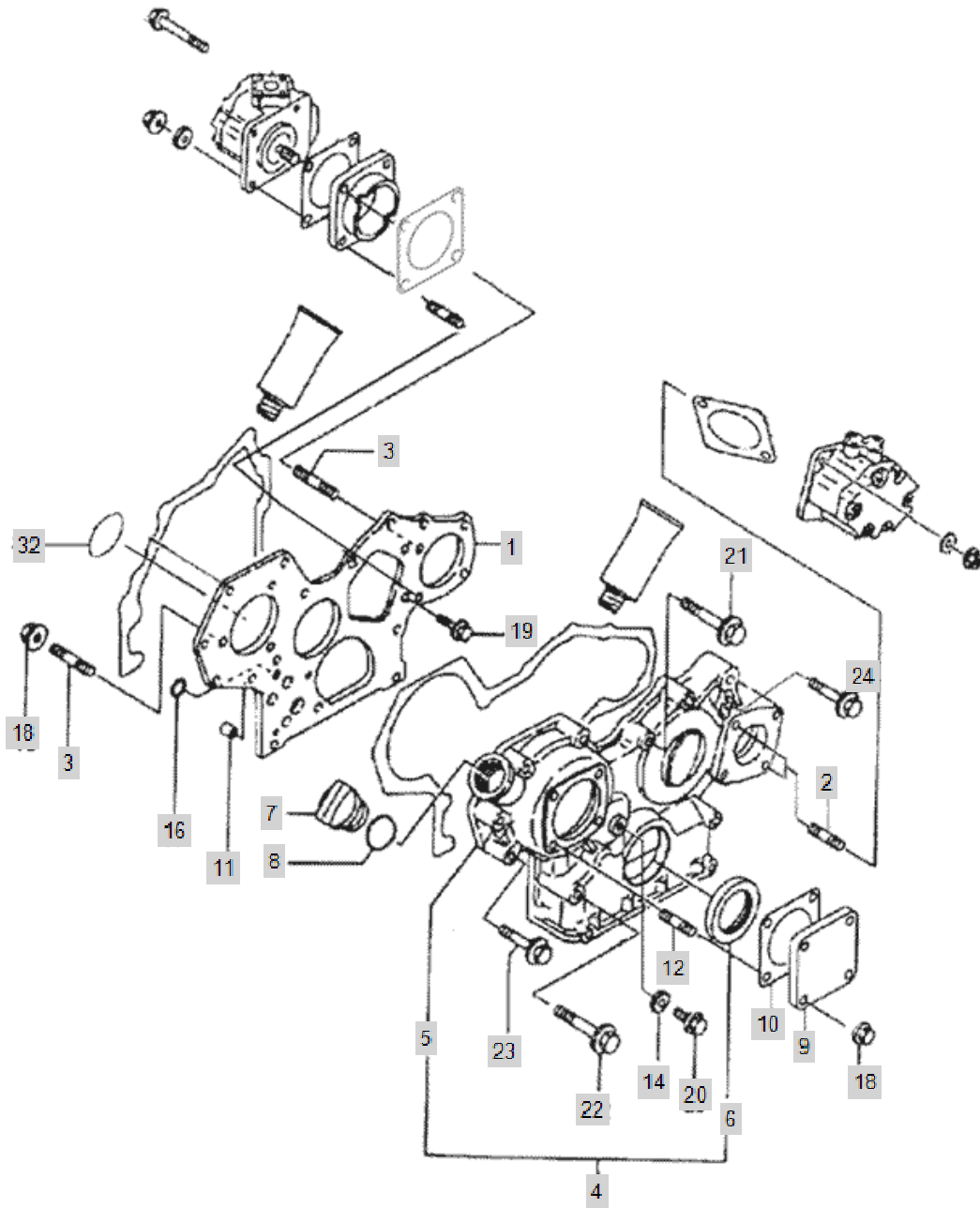


FIG E003

MOUNTING FLANGE & OIL PAN

Year/Month

A1700N5-UTC_4

2020/02

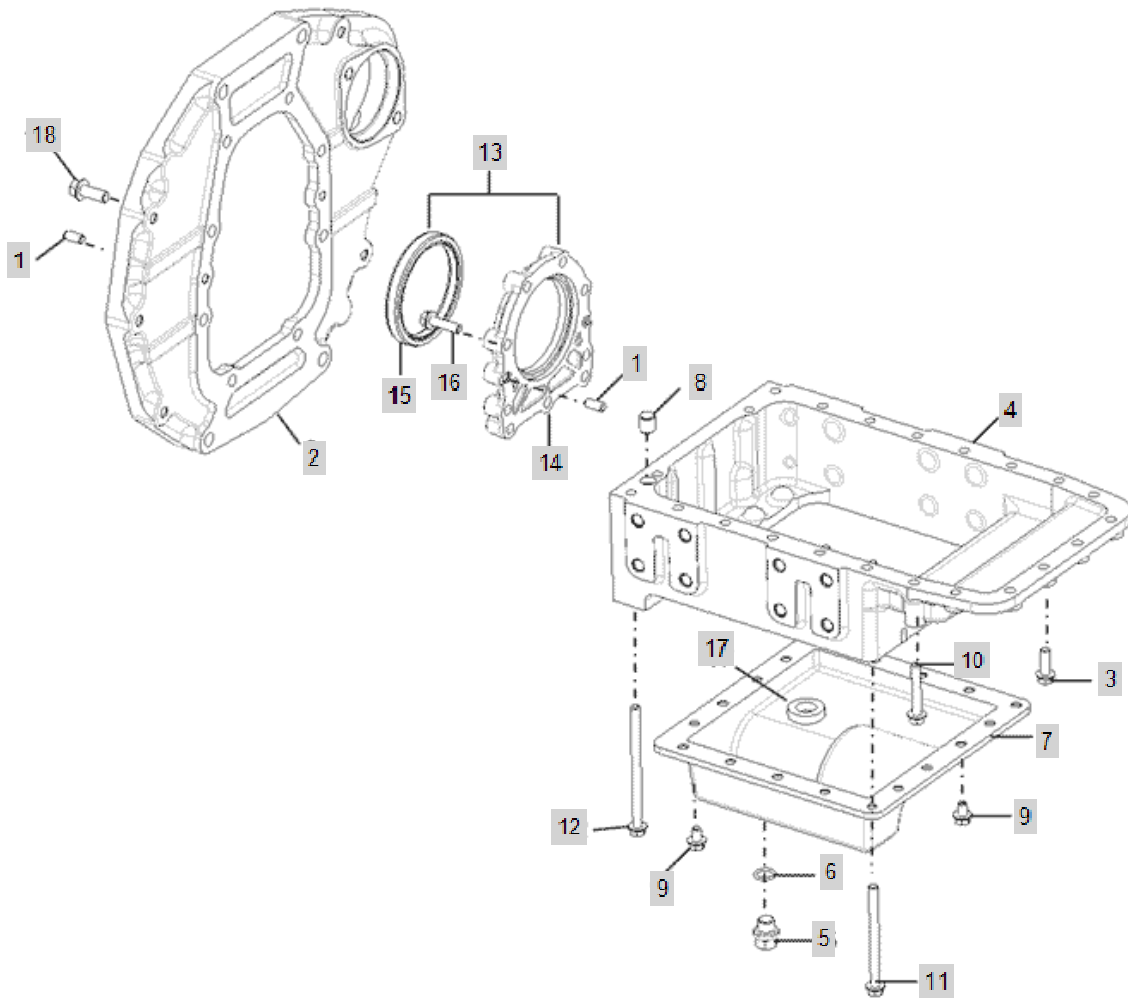
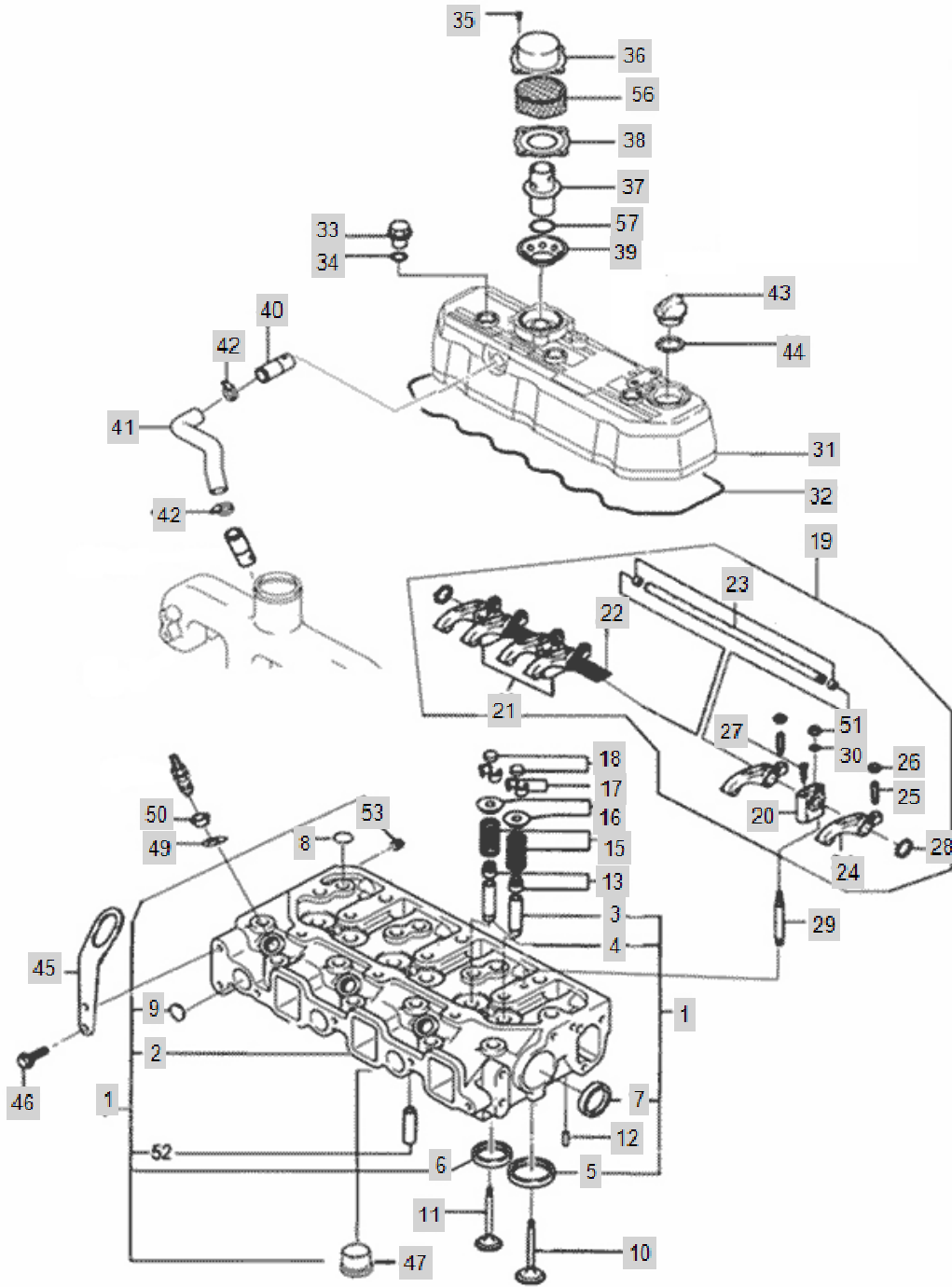


FIG E004

CYLINDER HEAD & HEAD COVER

Year/Month

2020/02



| FIG E004 | | CYLINDER HEAD & HEAD COVER | | | Year/Month |
|---------------|--------------|----------------------------|----------|-------|------------|
| A1700N5-UTC_4 | | | | | 2020/02 |
| KeyNo. | Part Number | Part Name | Quantity | Other | |
| 1 | EA00003265A | HAED, CYLINDER | 1 | | |
| 2 | EA00003266A | HEAD, CYLINDER | 1 | | |
| 3 | HRA0400102B4 | GUIDE,VALVESTEM | 3 | | |
| 4 | HRA0400103B4 | GUIDE,VALVESTEM | 3 | | |
| 5 | HRA0400104B4 | SEAT,ENGINEINTAKEVALVE | 3 | | |
| 6 | HRA0400105B4 | SEAT,ENGINE EXHAUST VALVE | 3 | | |
| 7 | 27241-400000 | PLUG (D40) | 2 | | |
| 8 | 27241-220000 | PLUG,EXPANSION | 3 | | |
| 9 | 27241-220000 | PLUG,EXPANSION | 3 | | |
| 10 | HRA0400200A4 | VALVE,INTAKE | 3 | | |
| 11 | HRA0400300A4 | VALVE,EXHAUST | 3 | | |
| 12 | 22312-040100 | PIN, DOWEL (4-10) | 2 | | |
| 13 | HA03070000A4 | SEAL,VALVESTEM | 6 | | |
| 15 | HRA0400700A4 | SPRING,VALVE | 6 | | |
| 16 | HRA0400800A4 | RETAINER,VALVESPRING | 6 | | |
| 17 | HRA0400900A4 | COTTER,VALVE | 12 | | |
| 18 | HK03680000B4 | CAP,VALVE | 6 | | |
| 19 | HRD0401100A2 | SHAFTA'SSY.ROCKERARM | 1 | | |
| 20 | HRA0401200A4 | SUPPORT,ROCKERLEVER | 1 | | |
| 21 | HRA0401300A4 | SUPPORT,ROCKERLEVER | 2 | | |
| 22 | HRA0401400A4 | SPRING,COMPRESSION | 2 | | |
| 23 | HRD0401500A3 | SHAFT,ROCKERLEVER | 1 | | |
| 24 | HRA0401600A4 | LEVER,ROCKER | 6 | | |
| 25 | AF02110000E4 | SCREW,RKRLEVERADJUSTING | 6 | | |
| 26 | HH05280000A4 | NUT,VALVEADJUSTING | 6 | | |
| 27 | 26921-080102 | SCREW,SLOTTEDSET | 1 | | |
| 28 | 22242-000190 | SNAP RING, SHAFT (Φ 19) | 2 | | |
| 29 | HRA0401800A4 | STUD | 3 | | |
| 30 | 22117-120000 | WASHER, PLAIN (Φ 12) | 3 | | |
| 31 | HRD0402300B0 | COVER,VALVE | 1 | | |
| 32 | HRD0402400B3 | GASKET,VALVECOVER | 1 | | |
| 33 | HA03520000B4 | NUT,HEXAGONCAP | 3 | | |
| 34 | 24311-000140 | O-RING, DYNAMIC (Φ14) | 3 | | |
| 35 | 26587-040102 | SCREW,FILLISTERHEADCAP | 4 | | |
| 36 | HRA0403600A4 | COVER,BREATHER | 1 | | |
| 37 | HRA0403700A4 | Valve, Pressure Relief | 1 | | |
| 38 | HRA0403800A4 | GASKET,BREATHER | 1 | | |
| 39 | HRA0403900A4 | PLATE,BREATHERADJUSTING | 1 | | |
| 40 | HRA0404000A4 | TUBE,BREATHER | 1 | | |
| 41 | HRD0404100C3 | BREATHER HOSE | 1 | | |
| 42 | 23080-021000 | CLAMP,VBAND | 2 | | |
| 43 | HC03470000B4 | CAP,FILTER | 1 | | |
| 44 | 24311-000320 | O-RING, DYNAMIC (Φ32) | 1 | | |
| 45 | HK03530000A4 | BRACKET,LIFTING | 1 | | |
| 46 | 26106-080162 | SCREW,HEXFLANGEHEADCAP | 2 | | |

FIG E005

INTAKE MANIFOLD

Year/Month

A1700N5-UTC_4

2020/02

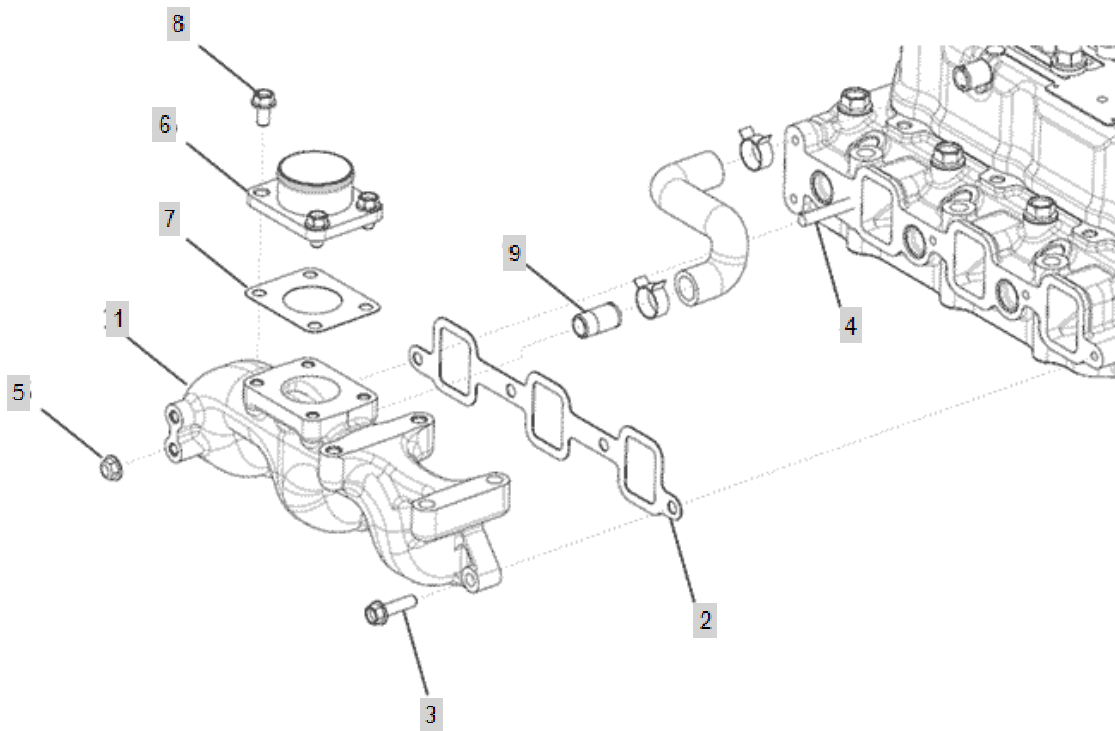


FIG E006

EXHAUST MANIFOLD

Year/Month

A1700N5-UTC_4

2020/02

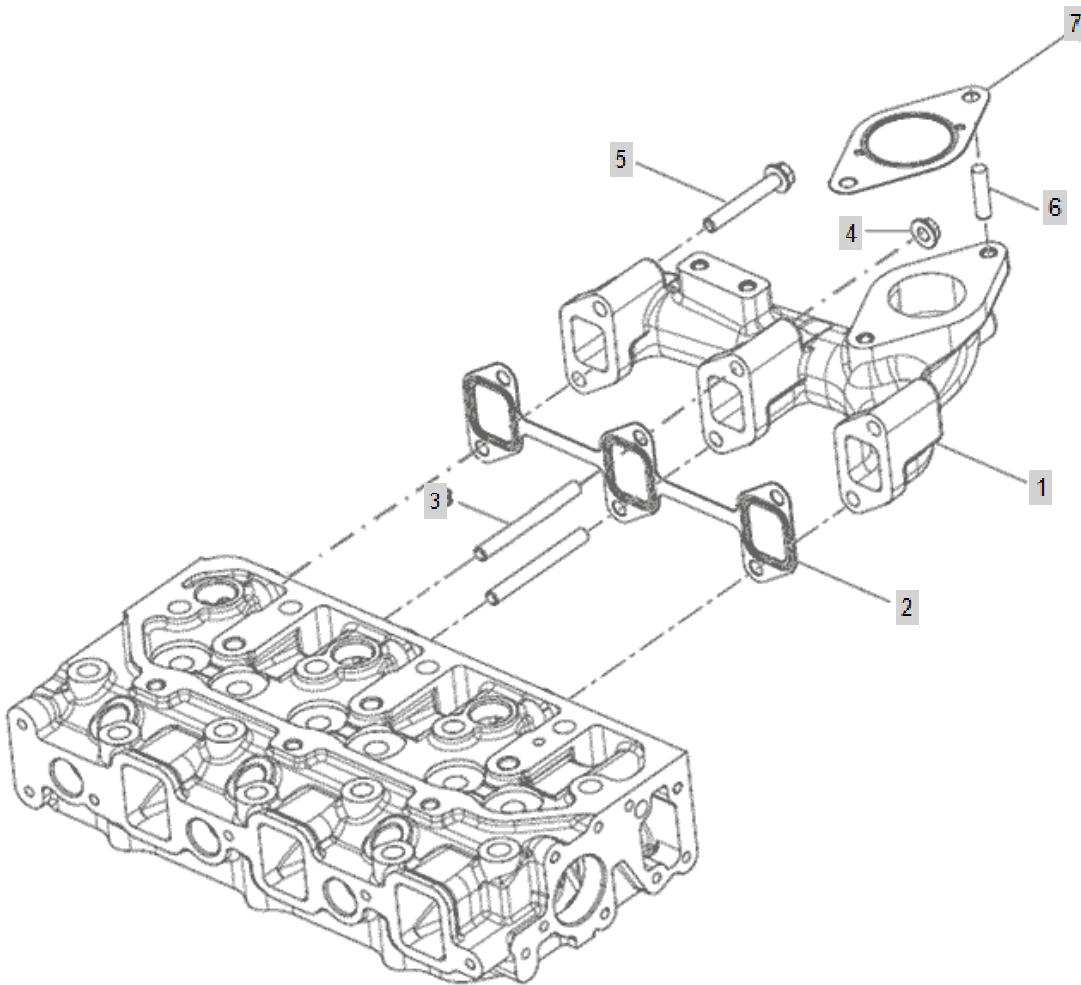


FIG E007

CAM SHAFT & DRIVING GEAR

Year/Month

A1700N5-UTC_4

2020/02

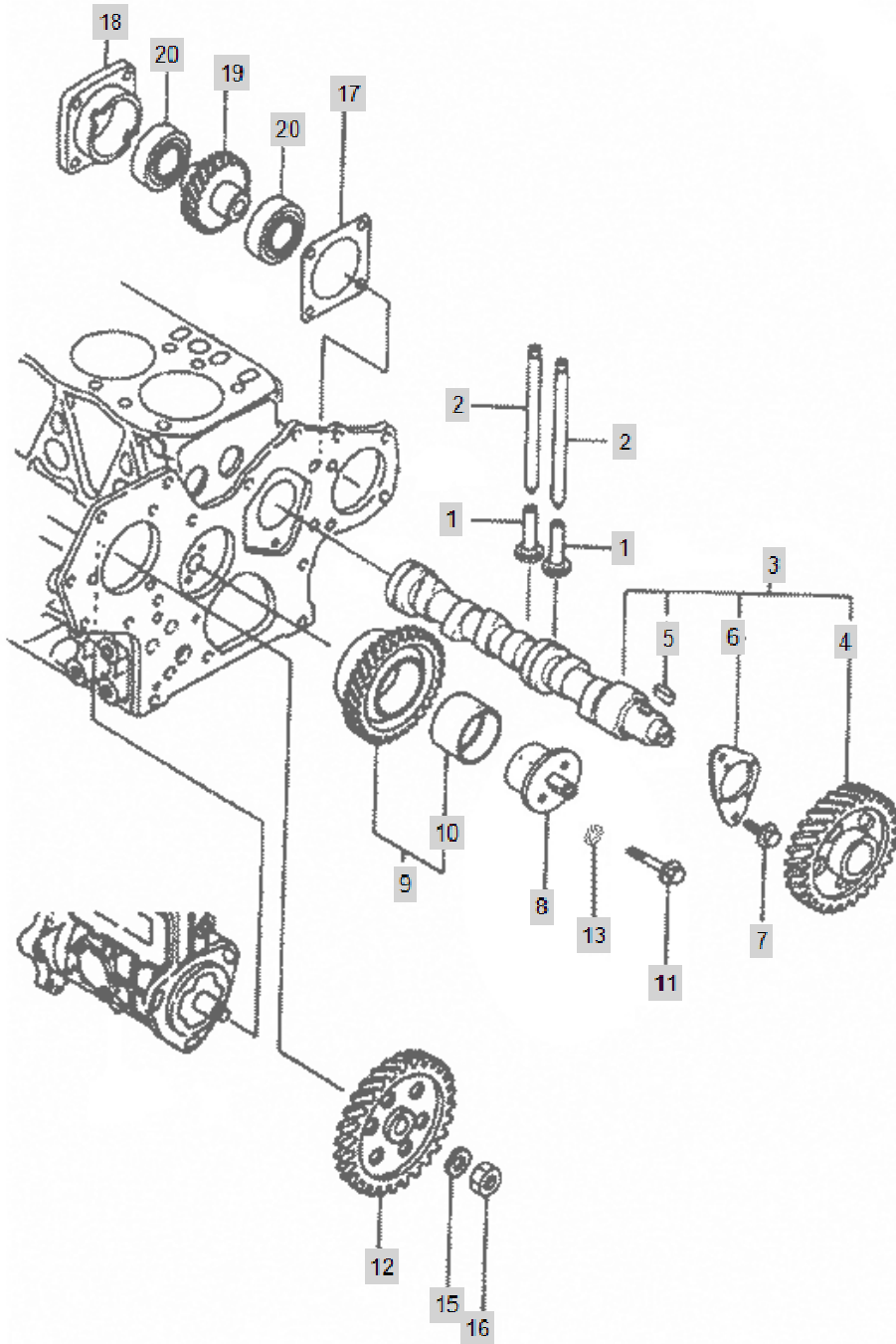


FIG E008

CRANK SHAFT & PISTON

Year/Month

A1700N5-UTC_4

2020/02

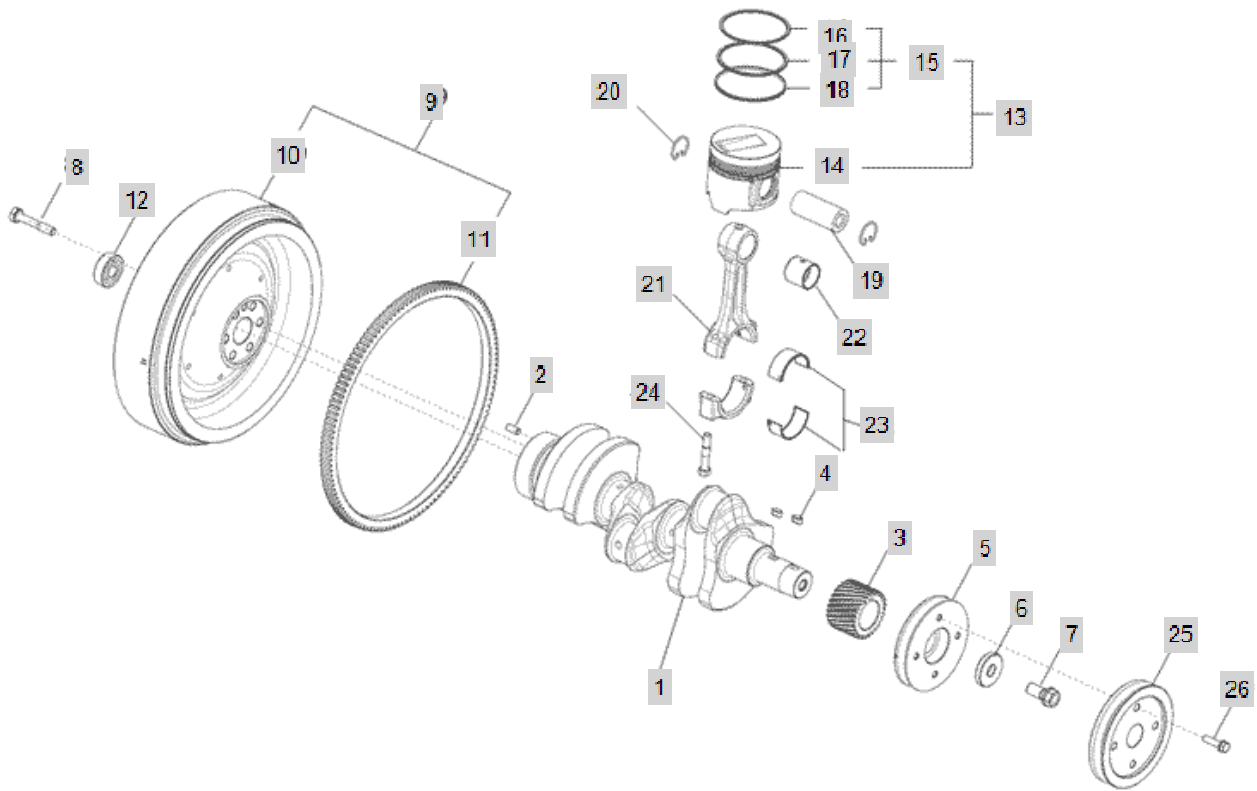


FIG E009

Year/Month

A1700N5-UTC_4

LUB. OIL SYSTEM

2020/02

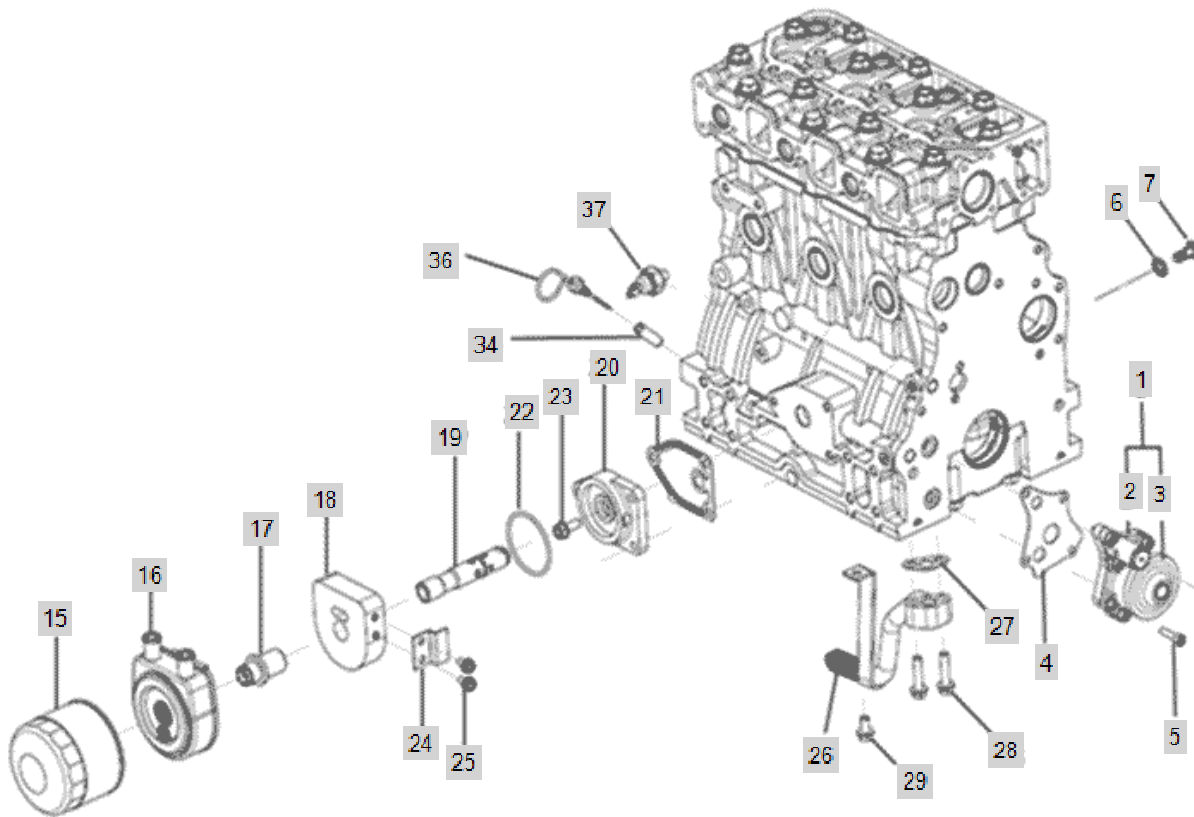


FIG E010

COOLING SYSTEM

Year/Month

A1700N5-UTC_4

2020/02

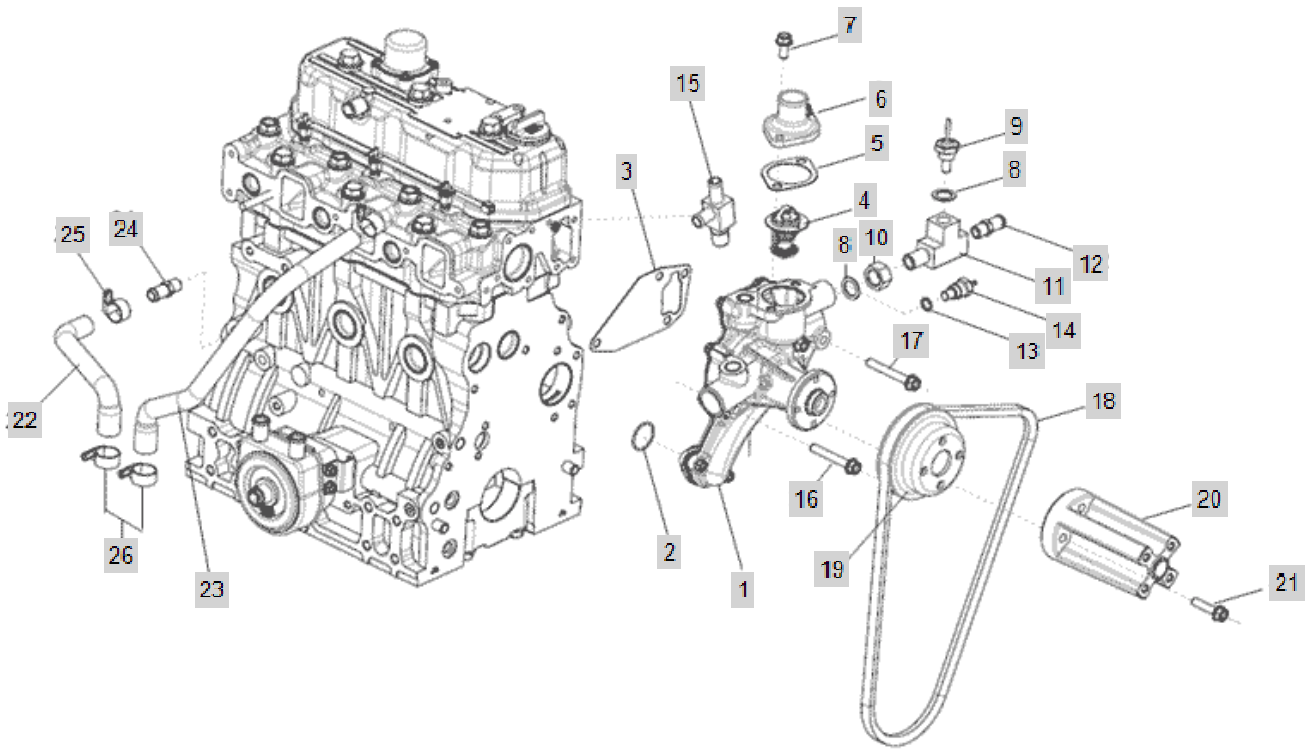


FIG E011A

FUEL INJECTION PUMP(A1700N5-UTC_4)

Year/Month

A1700N5-UTC_4

2020/02

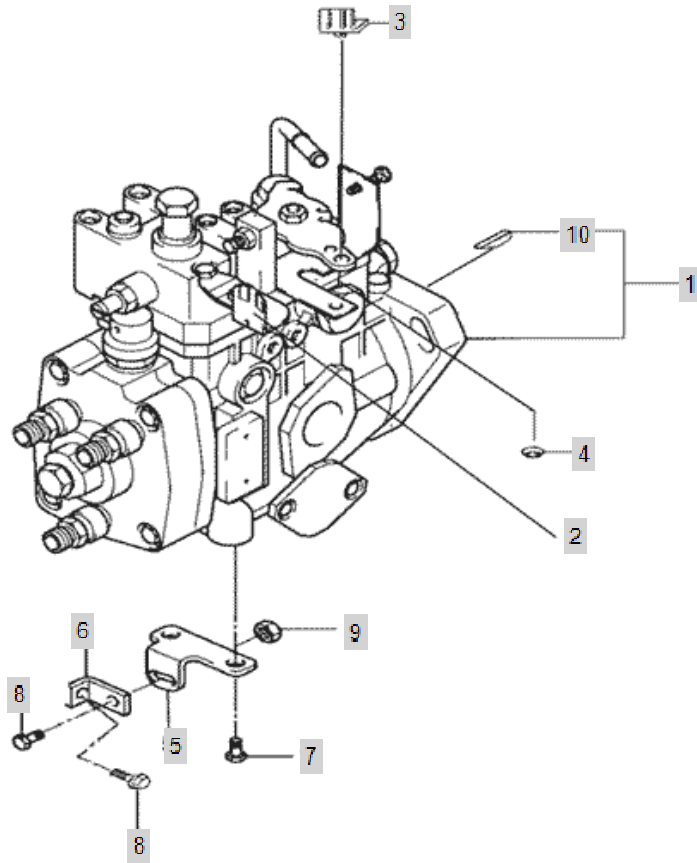


FIG E012

FUEL INJECTION SYSTEM

Year/Month

A1700N5-UTC_4

2020/02

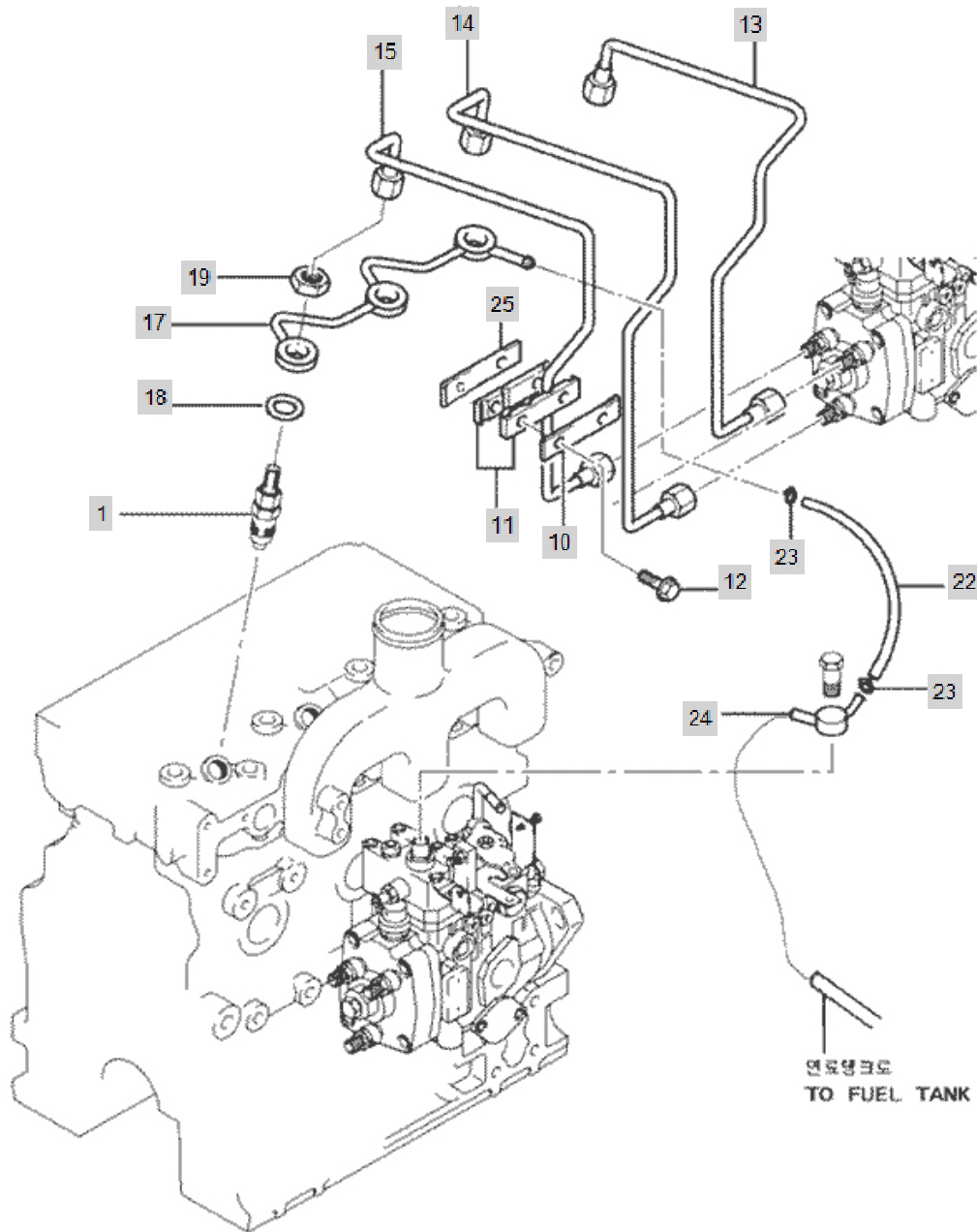


FIG E013

A1700N5-UTC_4

FUEL SYSTEM

Year/Month

2020/02

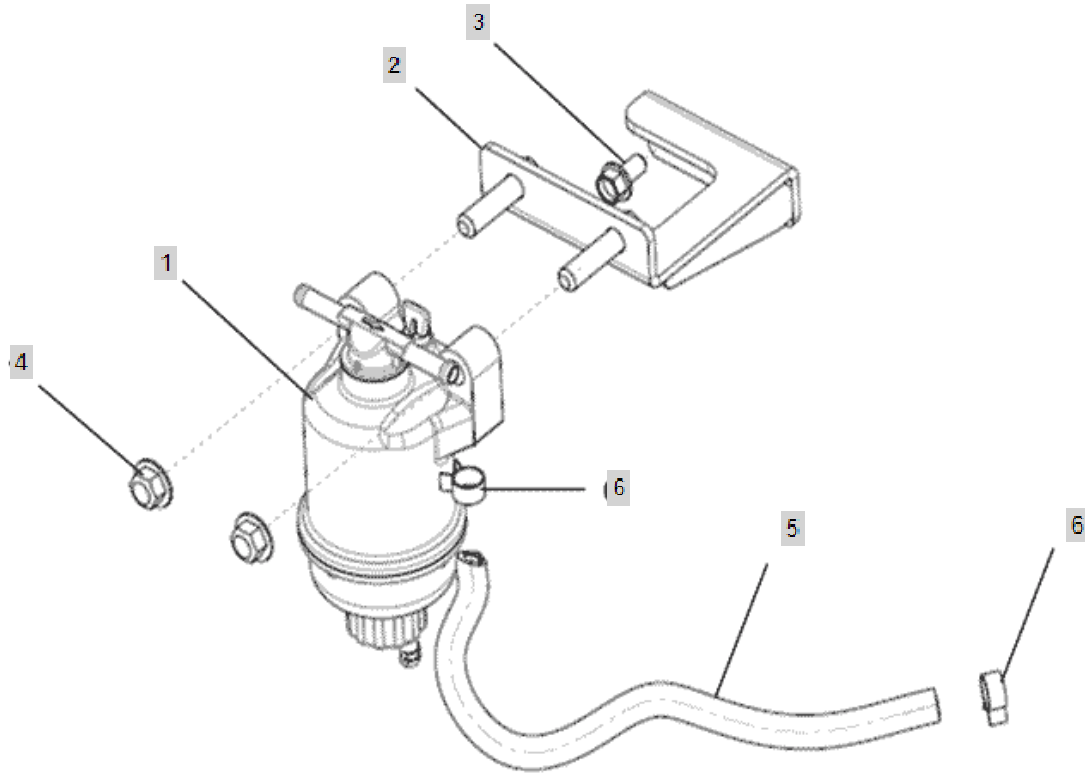


FIG E014

A1700N5-UTC_4

STARTING MOTOR

Year/Month

2020/02

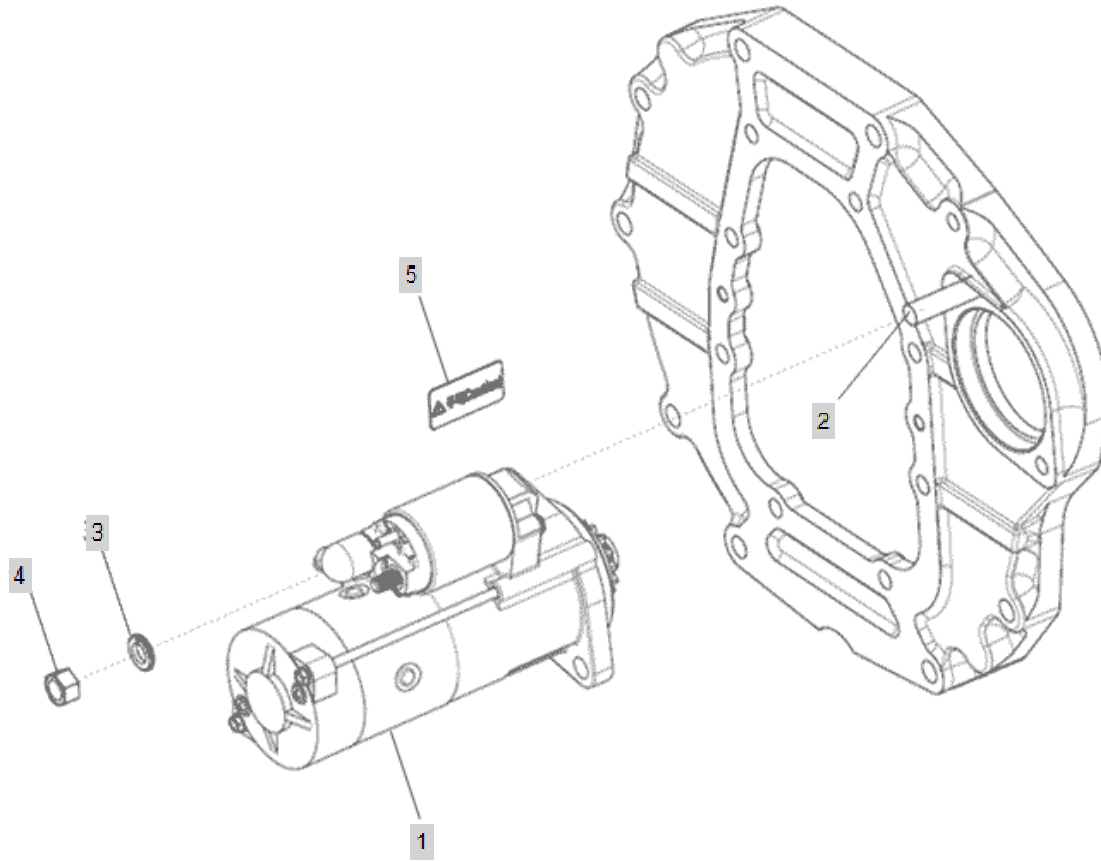


FIG E015

GENERATOR & ELECTRIC DEVICE

Year/Month

A1700N5-UTC_4

2020/02

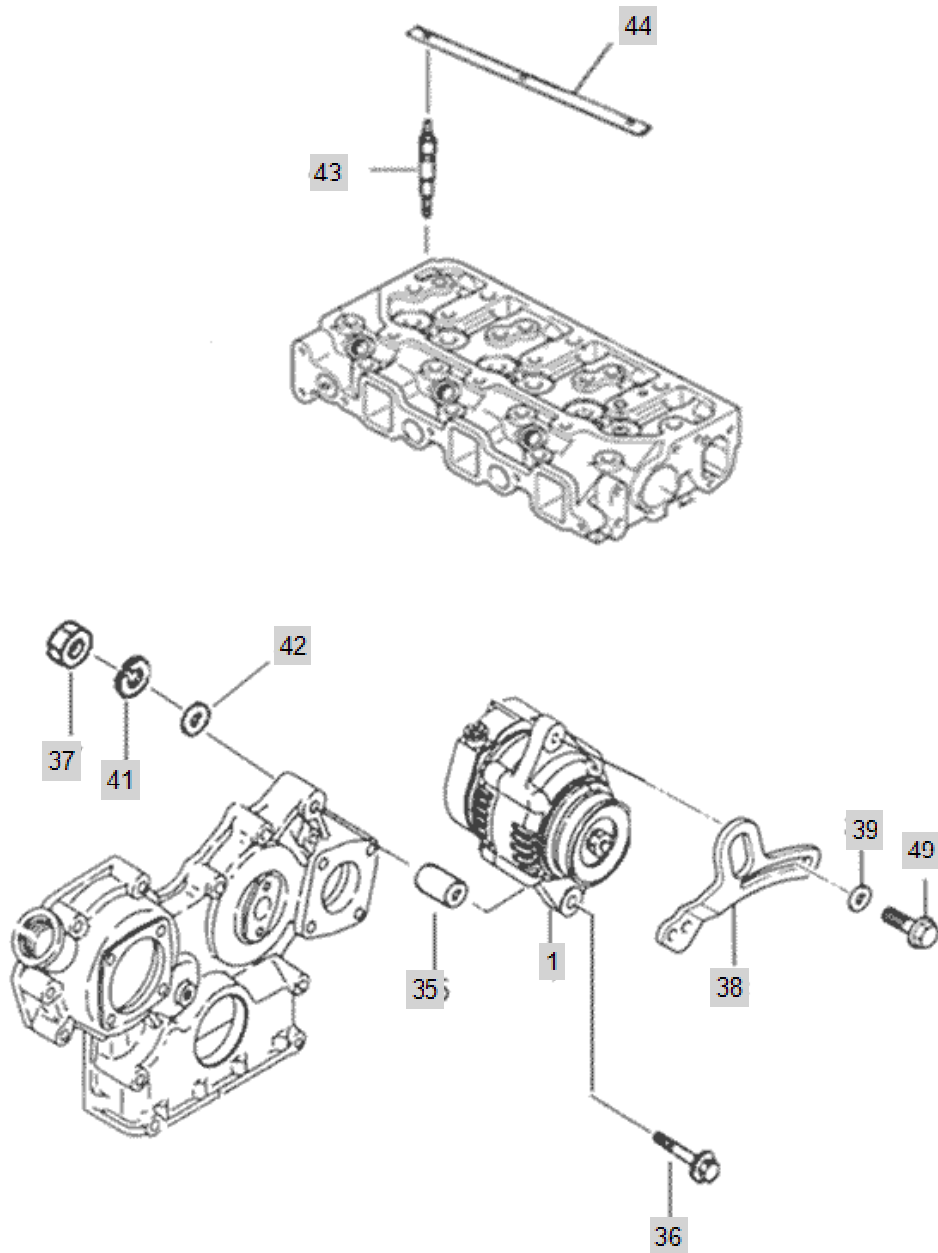


FIG E016

DPF & DPF APPLICATION SYSTEM

Year/Month

A1700N5-UTC_4

2020/02

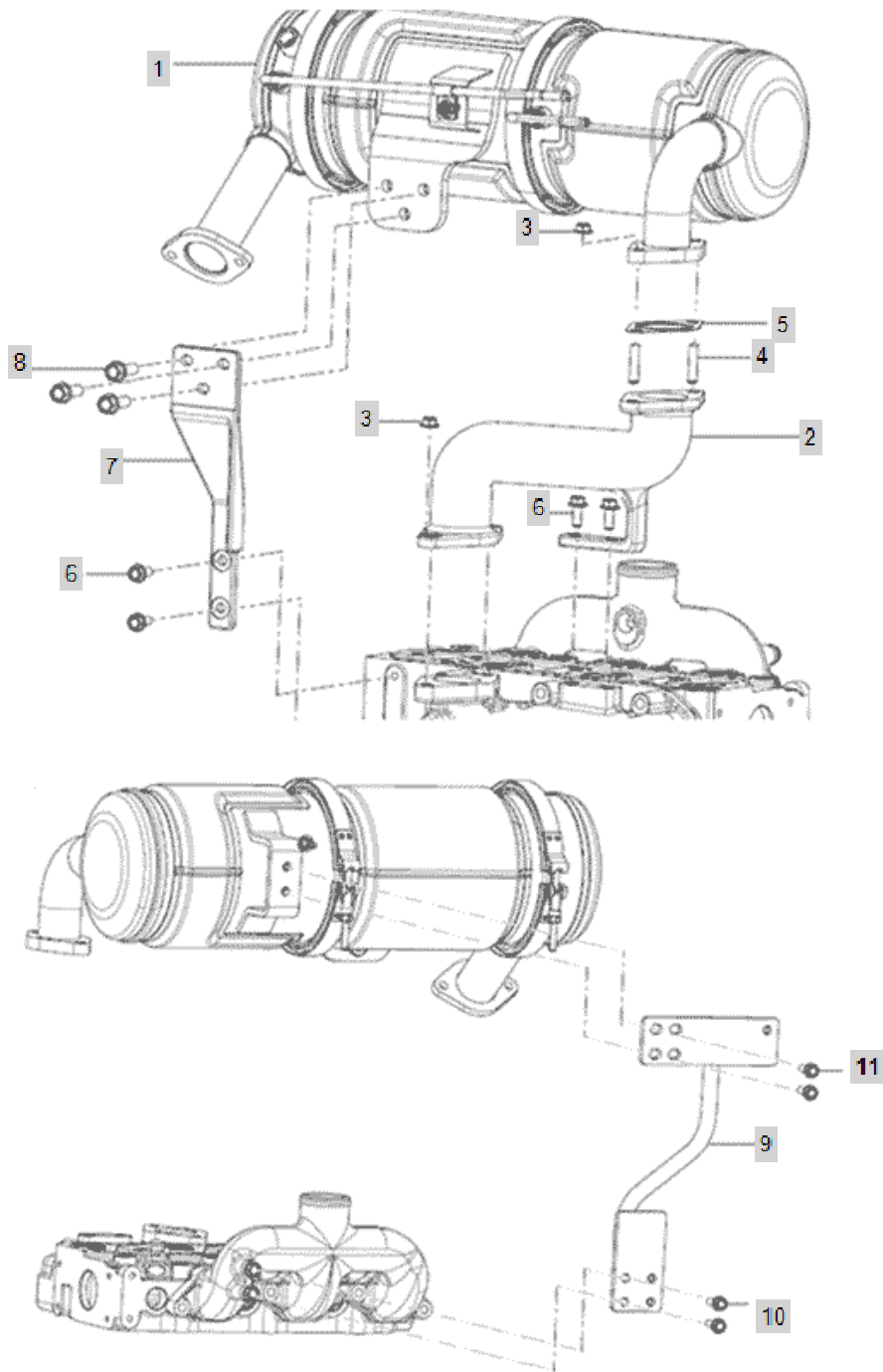


FIG E017

DPF SENSOR OPTION

Year/Month

A1700N5-UTC_4

2020/02

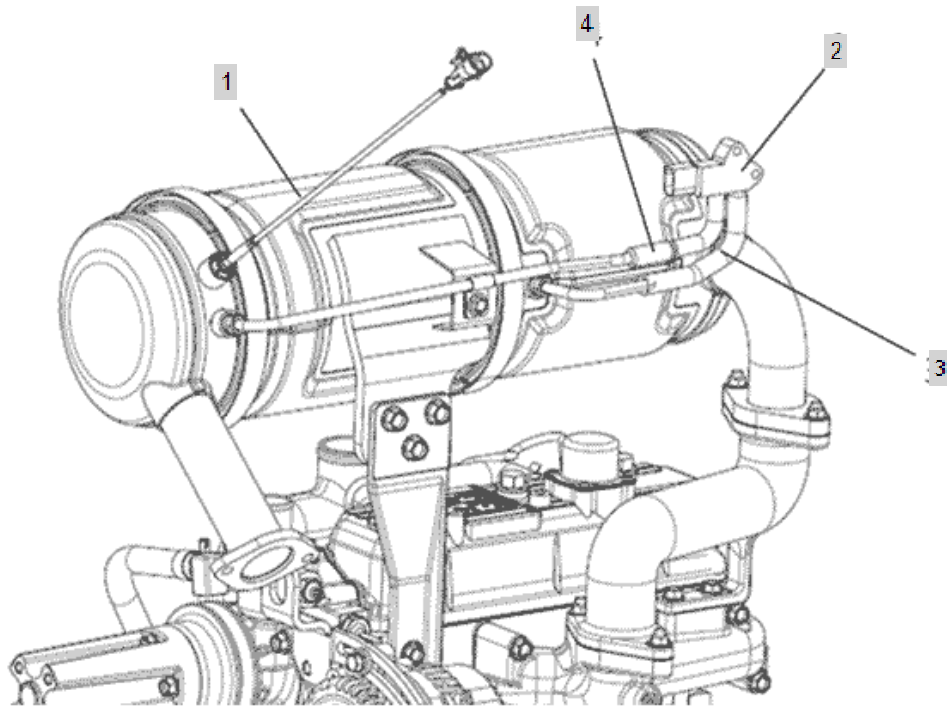


FIG E018A

DATAPLATE(A1700N5-UTC_4)

Year/Month

A1700N5-UTC_4

2020/02

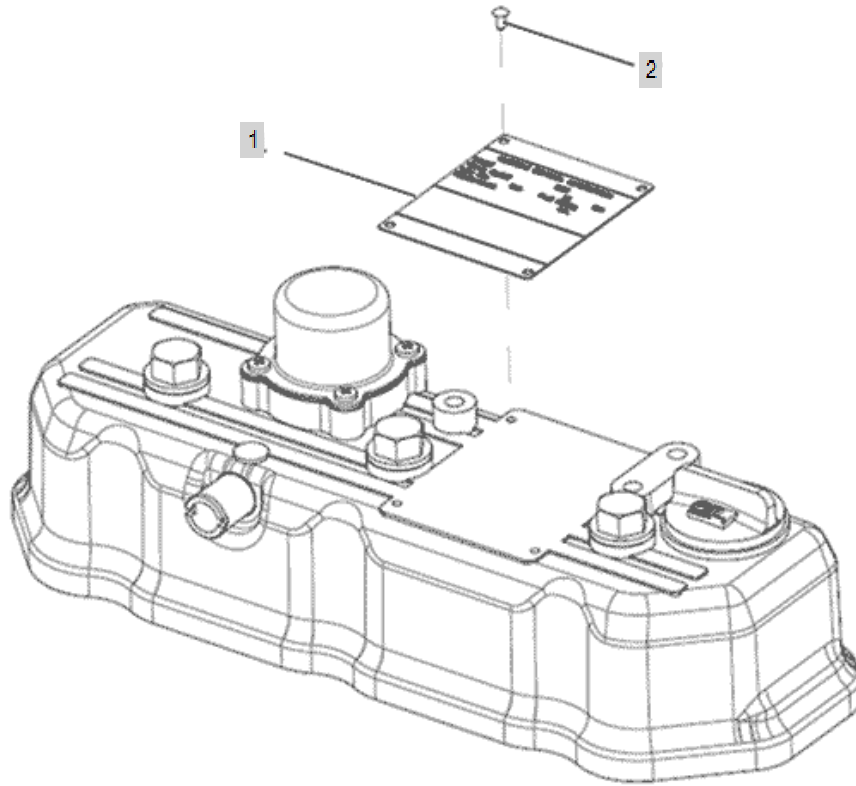


FIG E019

COMPRESSOR SUPPORT

Year/Month

A1700N5-UTC_4

2020/02

