

KUKJE A1700T3-ETC Branson Engine

Parts Catalogue

FIG A001

CYLINDER BLOCK

Year/Month

2020/02

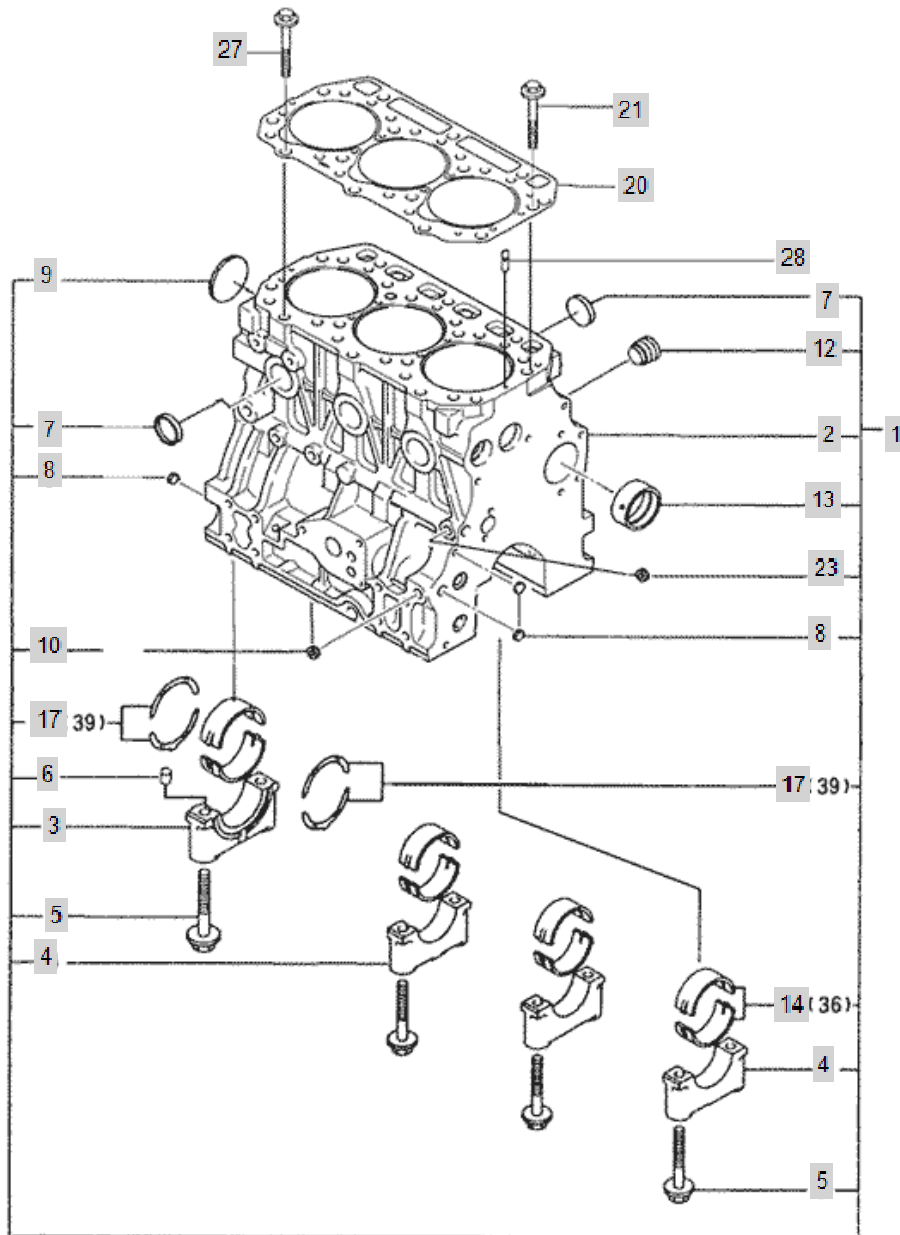


FIG A002

GEAR CASE

Year/Month

A1700T3-ETC

2020/02

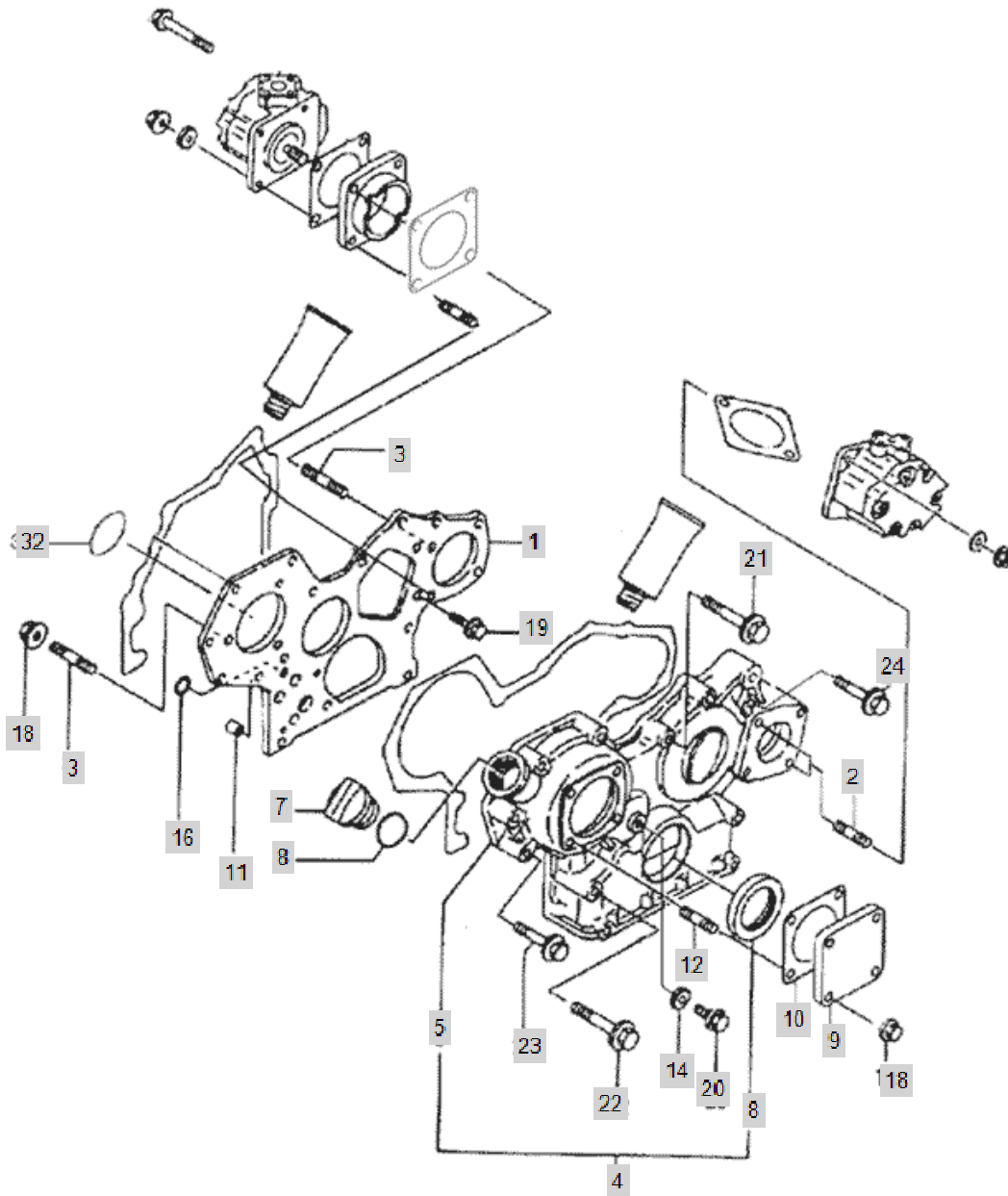


FIG A003

MOUNTING FLANGE & OIL PAN

Year/Month

2020/02

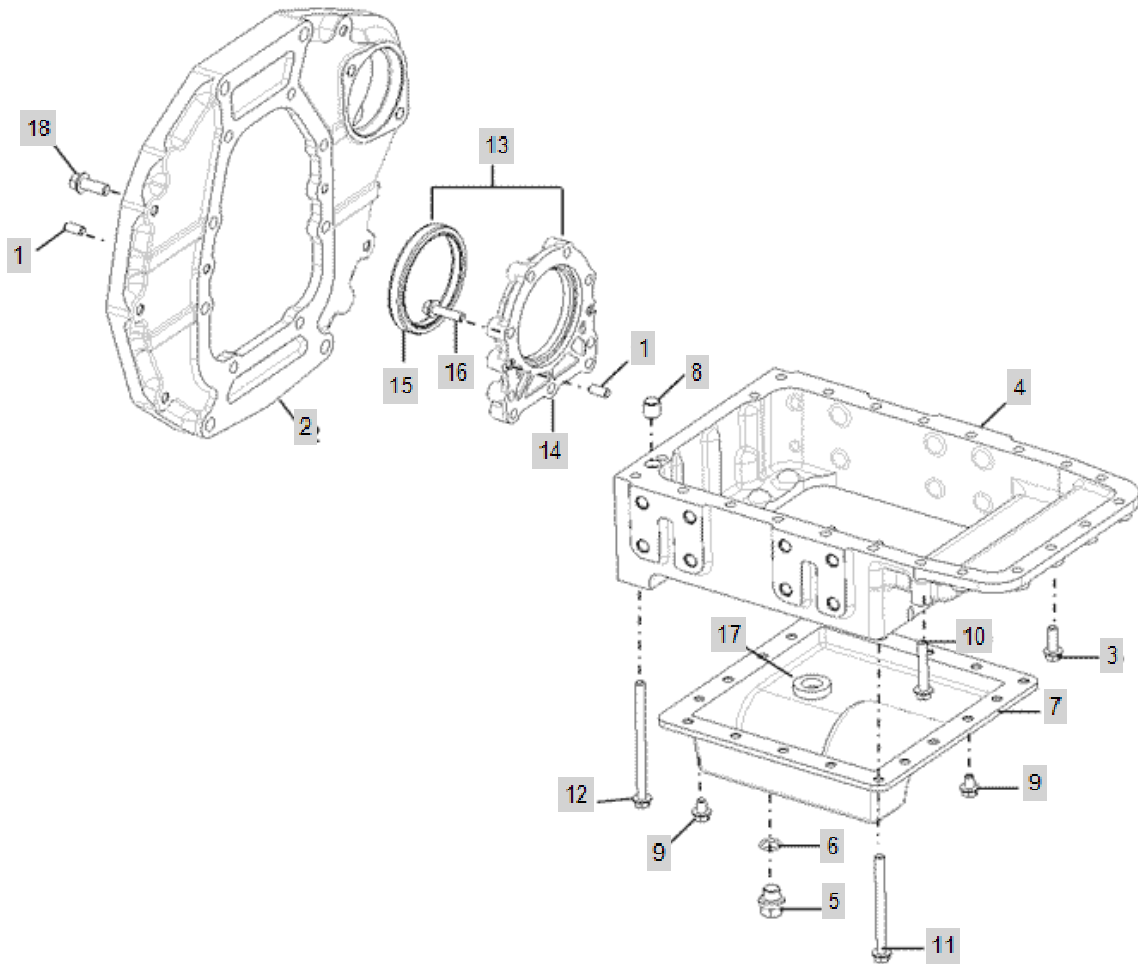


FIG A004B

CYLINDER HEAD & HEAD COVER(A1700T3-ETC)

Year/Month

2020/02

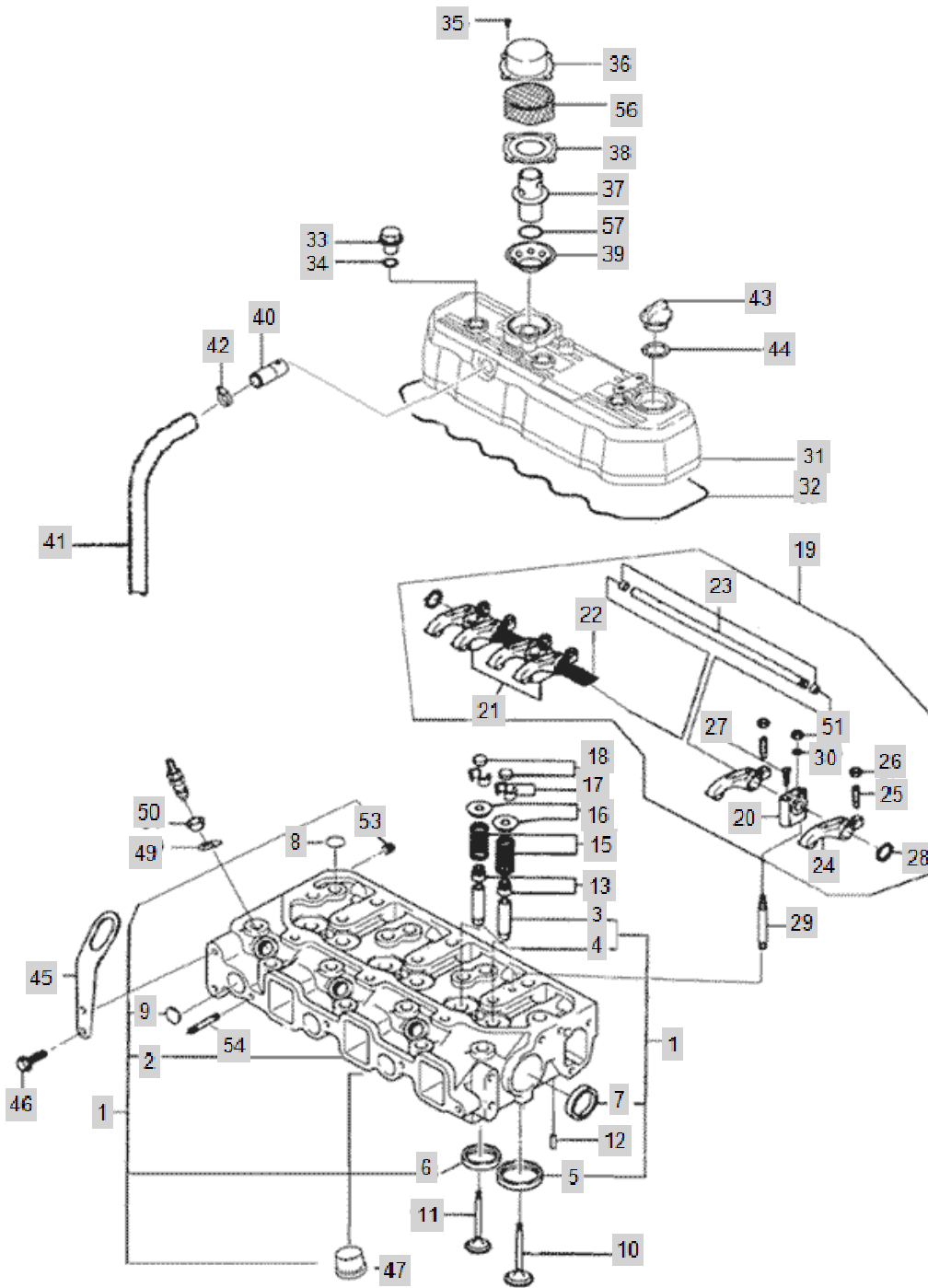


FIG A004B A1700T3-ETC		CYLINDER HEAD & HEAD COVER(A1700T3-ETC)		Year/Month 2020/02
KeyNo.	Part Number	Part Name	Quantity	Other
1	HRR2201000A9	HEAD, CYLINDER	1	
1-1	EA00005927A	CYLINER HEAD ASS'Y	1	DELETED/삭제
2	HRR2201001A0	HEAD, CYLINDER	1	
2-1	EA00005928A	CYLINER HEAD	1	DELETED/삭제
3	HRA0400103C4	GUIDE, VALVE STEM	3	
4	HRA0400103C4	GUIDE, VALVE STEM	3	
5	HRA0400104B4	SEAT, ENGINE INTAKE VALVE	3	
6	HRA0400105B4	SEAT, ENGINE EXHAUST VALVE	3	
7	27241-400000	PLUG (D40)	2	
8	27241-220000	PLUG, EXPANSION	3	
9	27241-220000	PLUG, EXPANSION	3	
10	HRA0400200A4	VALVE, INTAKE	3	
11	HRA0400300A4	VALVE, EXHAUST	3	
12	22312-040100	PIN, DOWEL (4-10)	2	
13	HA03070000A4	SEAL, VALVE STEM	6	
15	HRA0400700A4	SPRING, VALVE	6	
16	HRA0400800A4	RETAINER, VALVE SPRING	6	
17	HRA0400900A4	COTTER, VALVE	12	
18	HK03680000B4	CAP, VALVE	6	
19	HRD0401100B2	LEVER, ROCKER	1	
20	HRA0401200A4	SUPPORT, ROCKER LEVER	1	
21	HRA0401300A4	SUPPORT, ROCKER LEVER	2	
22	HRA0401400A4	SPRING, COMPRESSION	2	
23	HRD0401500B3	SHAFT, ROCKER LEVER	1	
24	HRA0401600B4	LEVER, ROCKER	6	
25	AF02110000E4	SCREW, RKR LEVER ADJUSTING	6	
26	HH05280000A4	NUT, VALVE ADJUSTING	6	
27	26921-080102	SCREW, SLOTTED SET	1	
28	22242-000190	SNAP RING, SHAFT (Φ 19)	2	
29	HRA0401800A4	STUD	3	
30	22117-120000	WASHER, PLAIN (Φ 12)	3	
31	HRD0402300C0	COVER, VALVE	1	
32	HRD0402400B3	GASKET, VALVE COVER	1	
33	HA03520000B4	NUT, HEXAGON CAP	3	
34	24311-000140	O-RING, DYNAMIC (Φ 14)	3	
35	26587-040102	SCREW, FILLISTER HEAD CAP	4	
36	HRA0403600A4	COVER, BREATHER	1	
37	HRA0403700A4	Valve, Pressure Relief	1	
38	HRA0403800A4	GASKET, BREATHER	1	
39	HRA0403900A4	PLATE, BREATHER ADJUSTING	1	
40	HRA0404000A4	TUBE, BREATHER	1	
41	HRD0404100C3	BREATHER HOSE	1	
42	23080-020000	CLAMP, V BAND	1	
43	HC03470000B4	CAP, FILTER	1	
44	24311-000320	O-RING, DYNAMIC (Φ 32)	1	

FIG A005-1

INTAKE MANIFOLD

Year/Month

A1700T3-ETC

2020/02

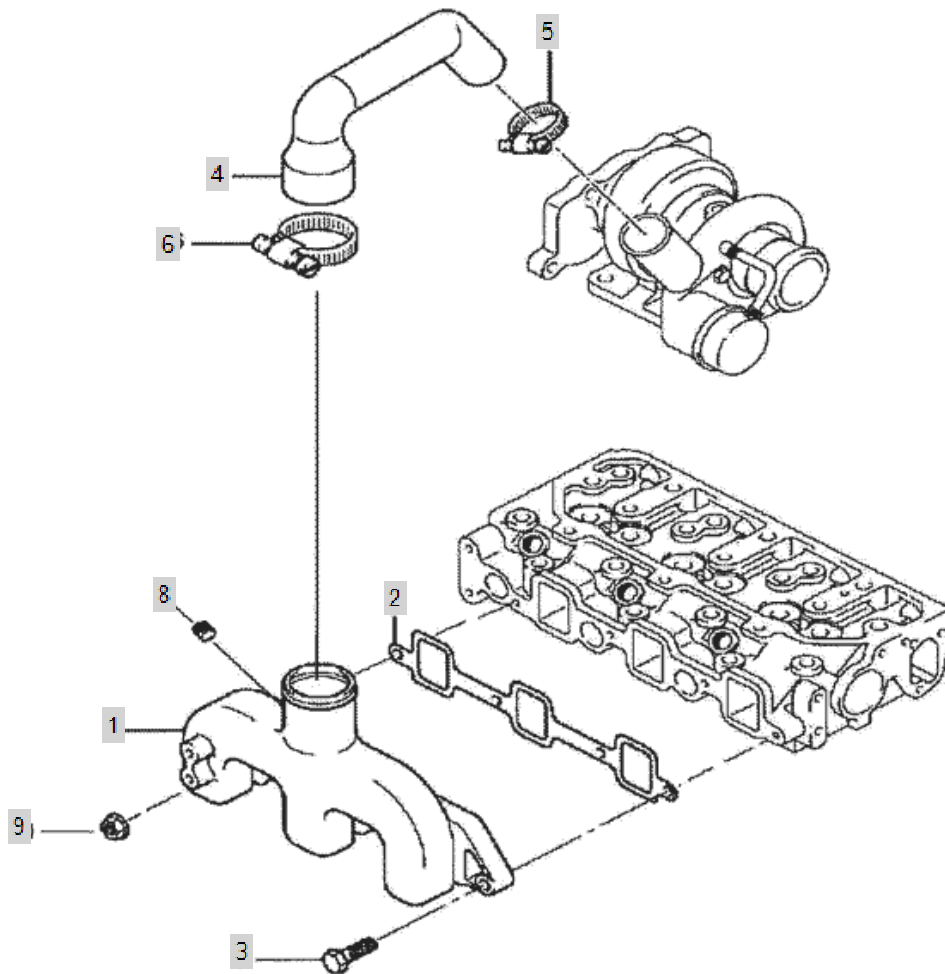


FIG A005-2

INTAKE MANIFOLD(2018.05~)

Year/Month

2020/02

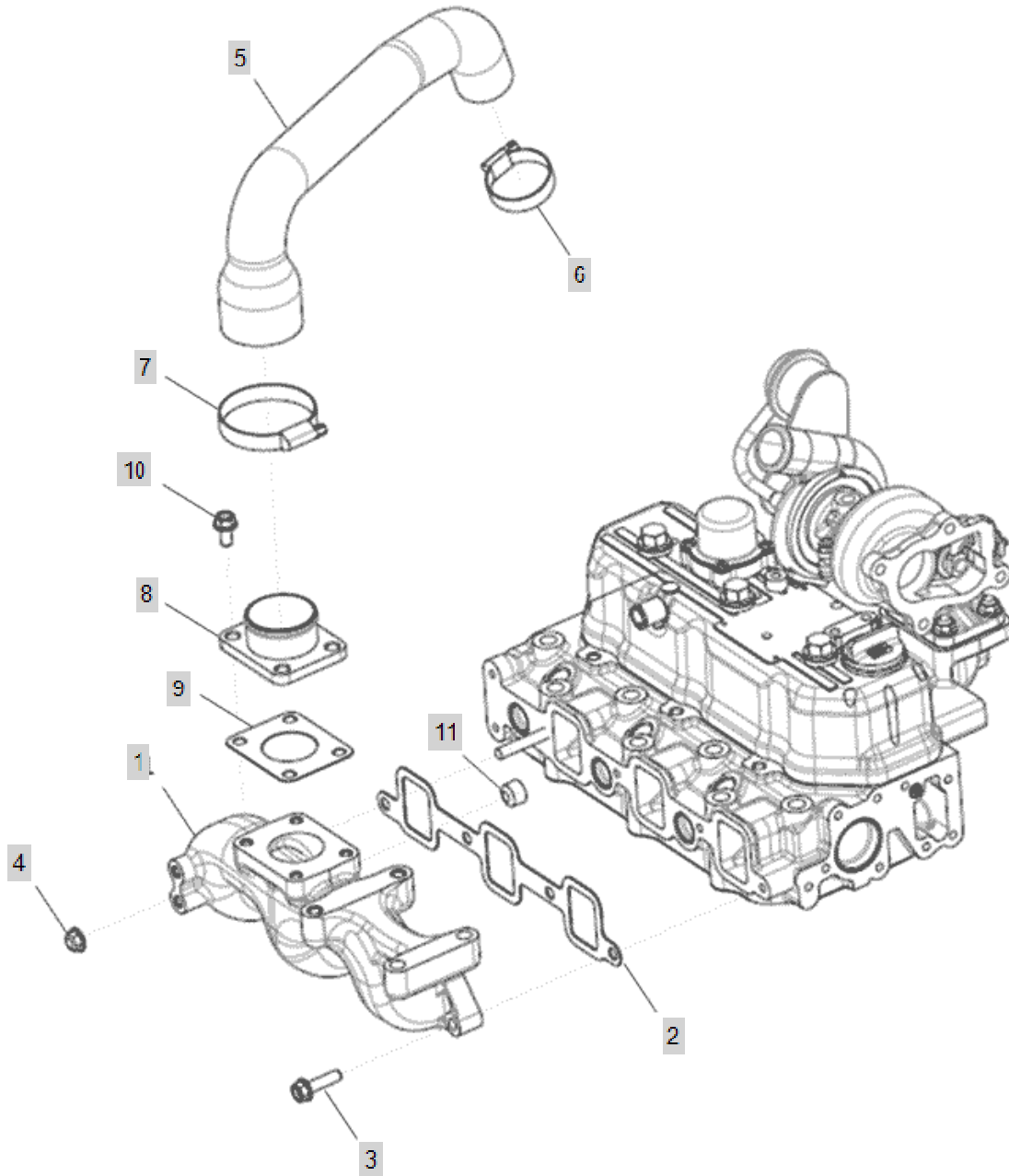


FIG A006

EXHAUST MANIFOLD

Year/Month

A1700T3-ETC

2020/02

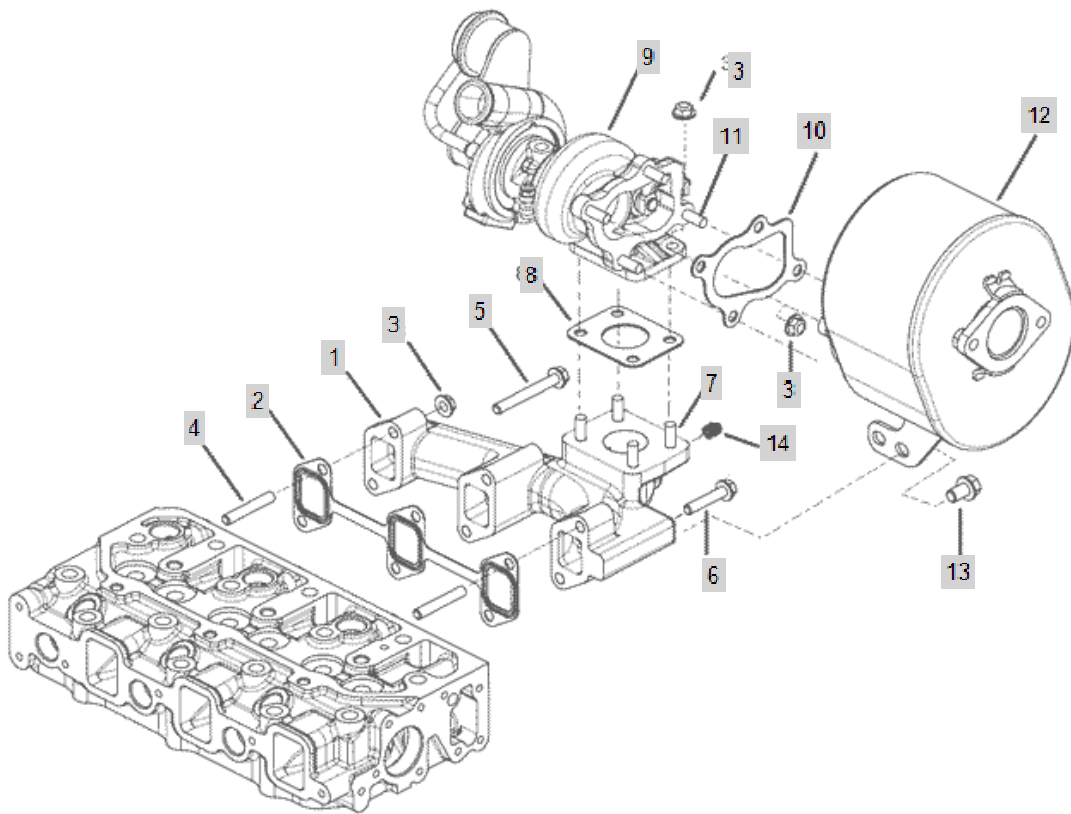


FIG A007

CAM SHAFT & DRIVING GEAR

Year/Month

2020/02

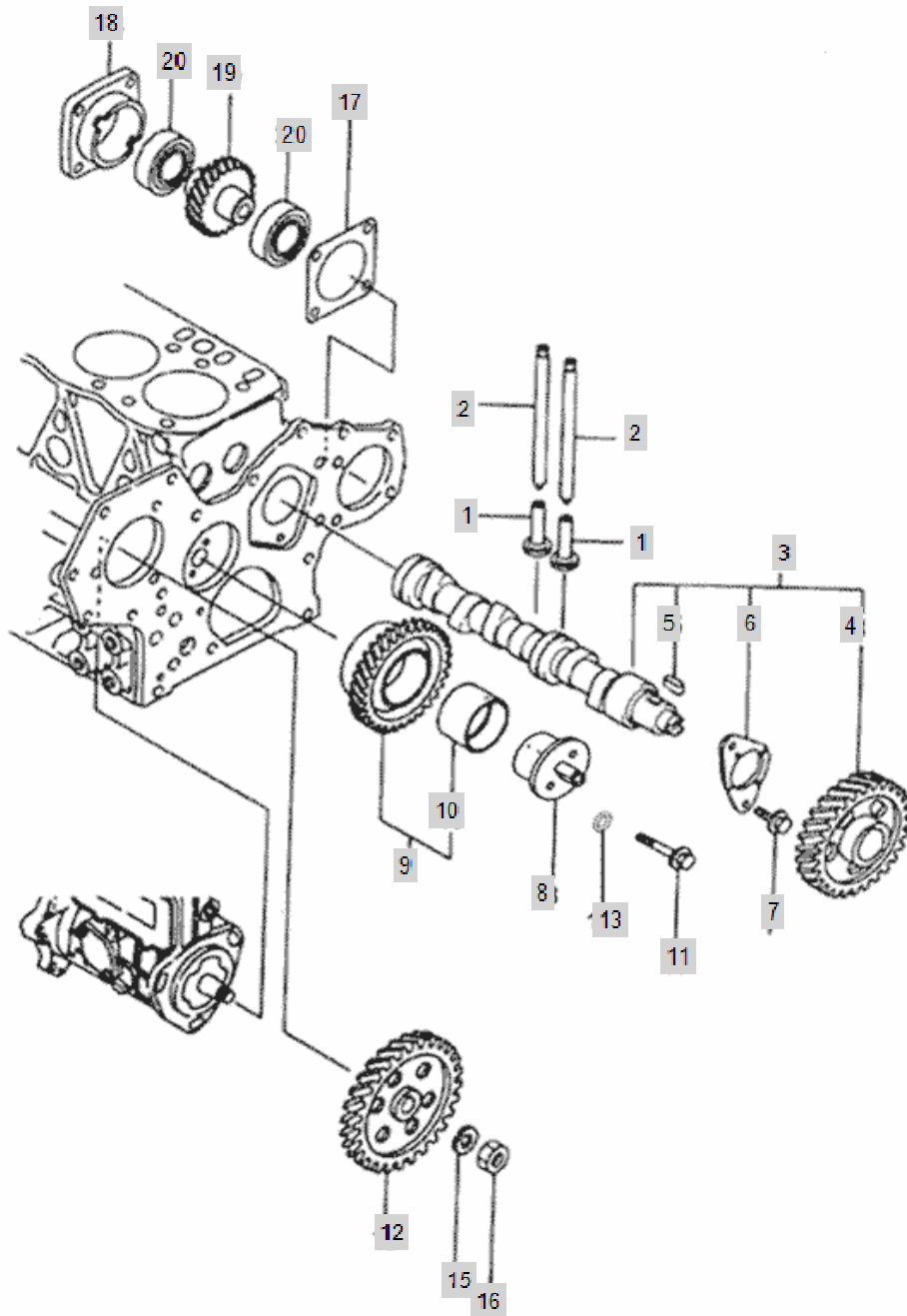


FIG A008

CRANK SHAFT & PISTON

Year/Month

2020/02

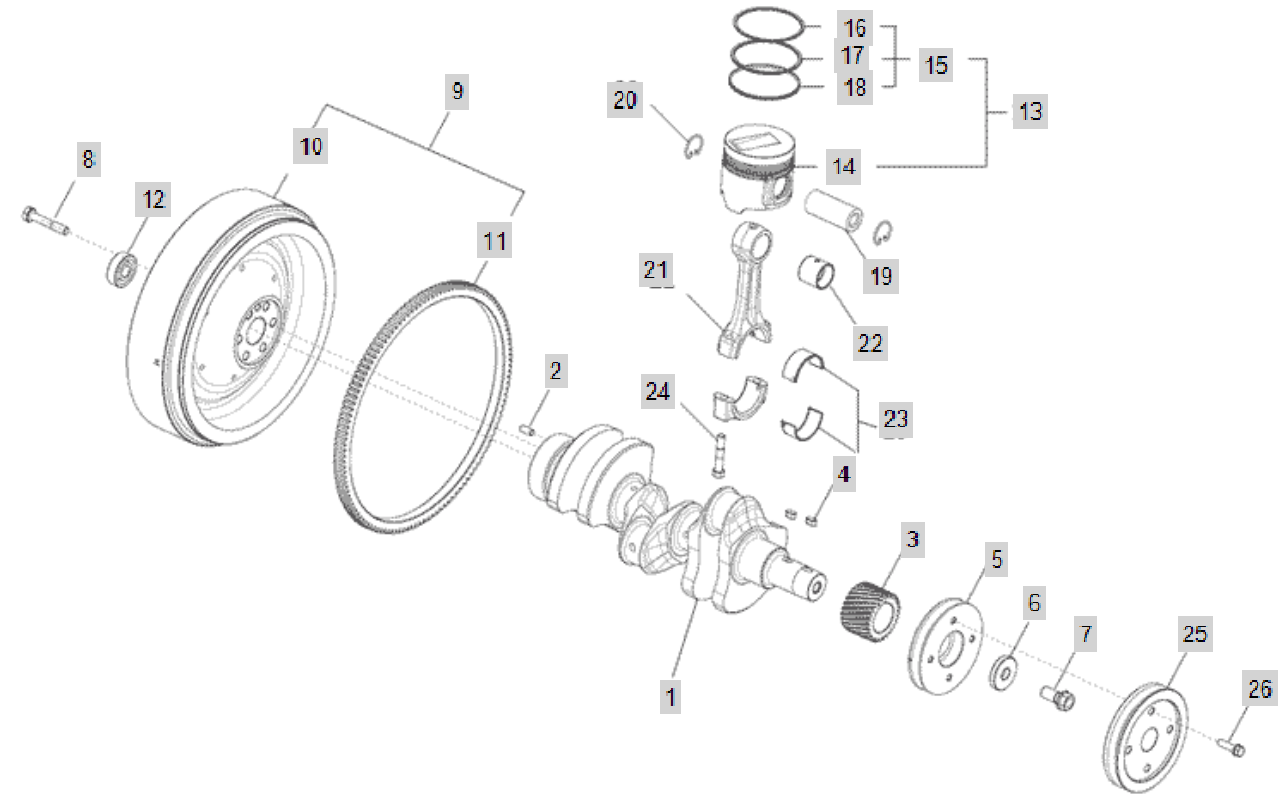


FIG A009

LUBRICATING OIL SYSTEM

Year/Month

A1700T3-ETC

2020/02

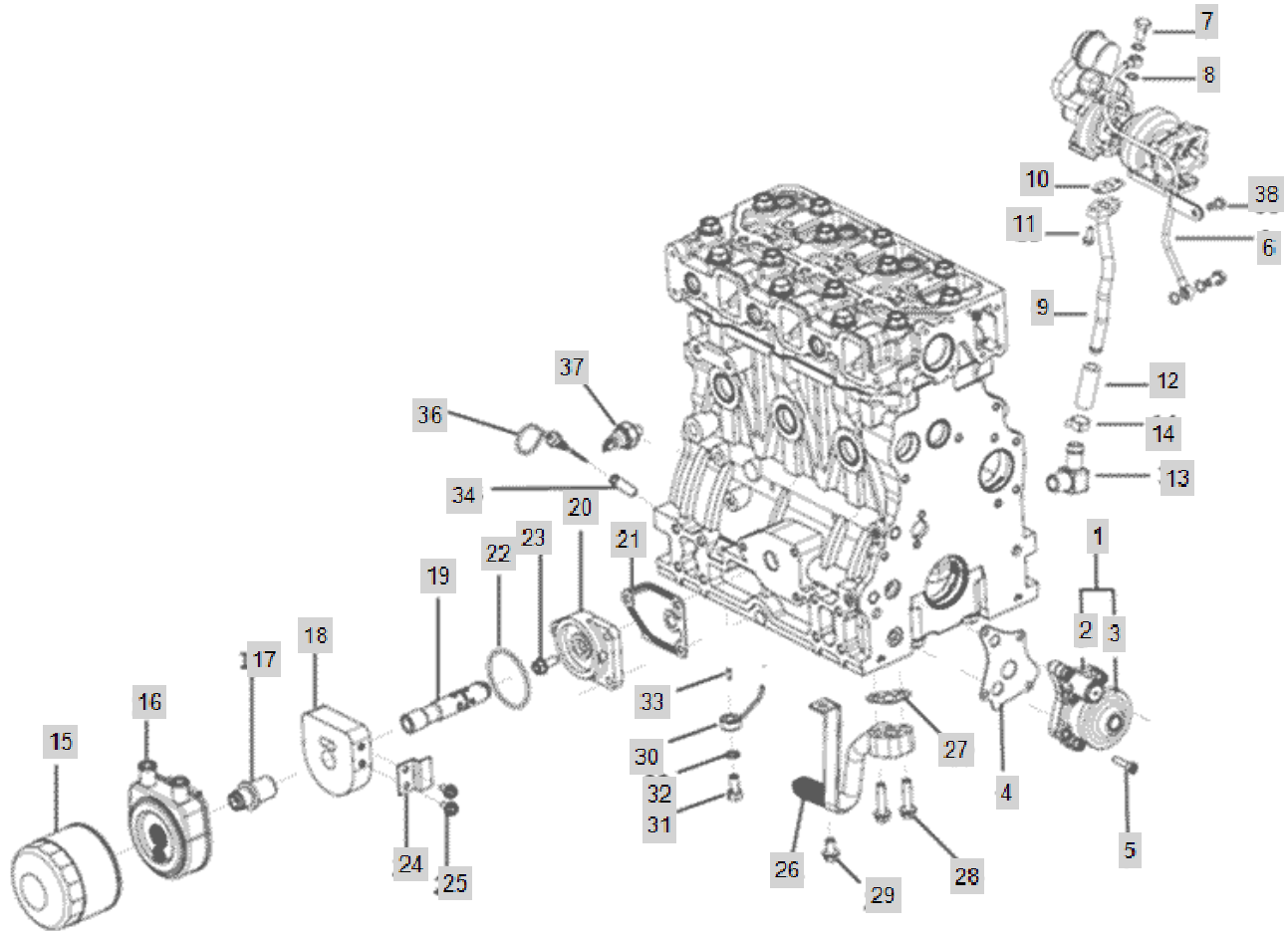


FIG A010-1

COOLING SYSTEM

Year/Month

2020/02

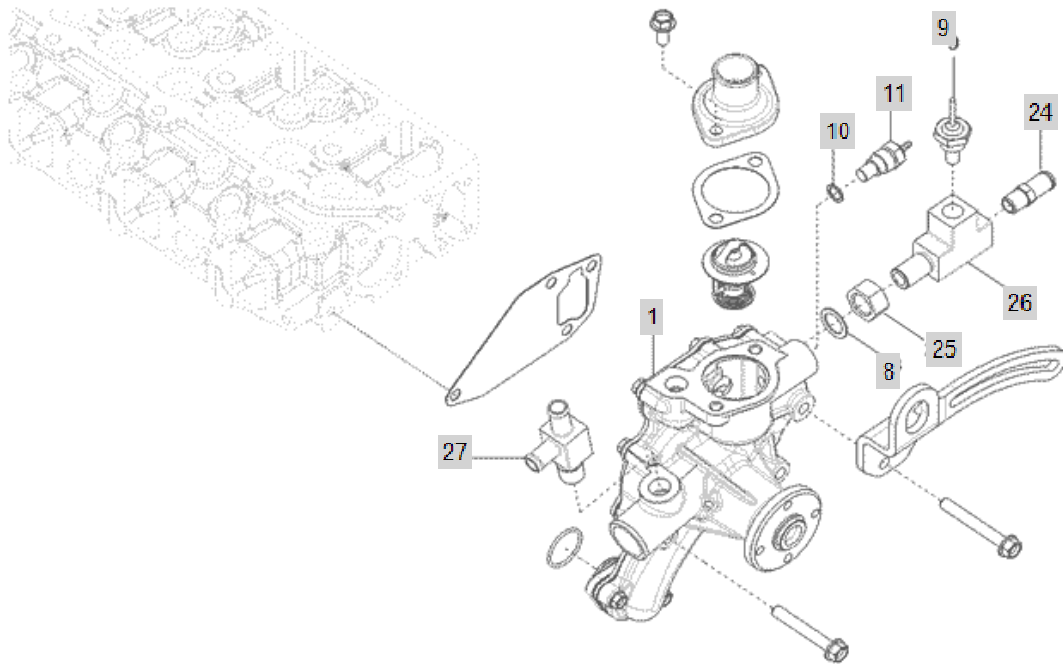
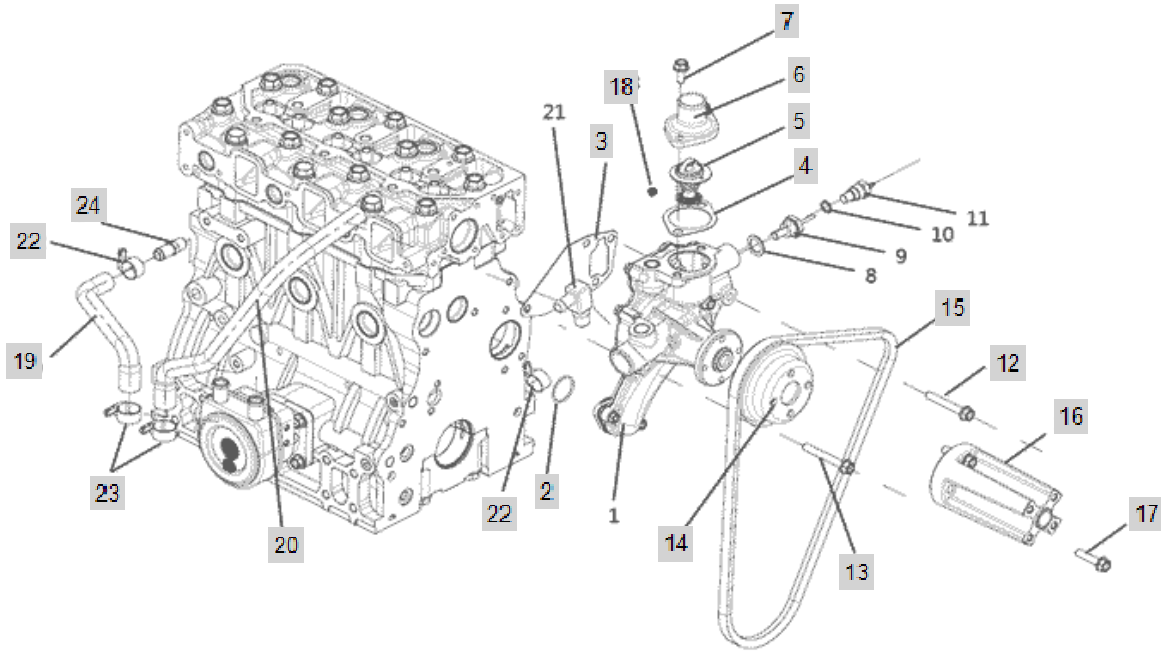


FIG A010-2

COOLING SYSTEM(2018.05~)

Year/Month

A1700T3-ETC

2020/02

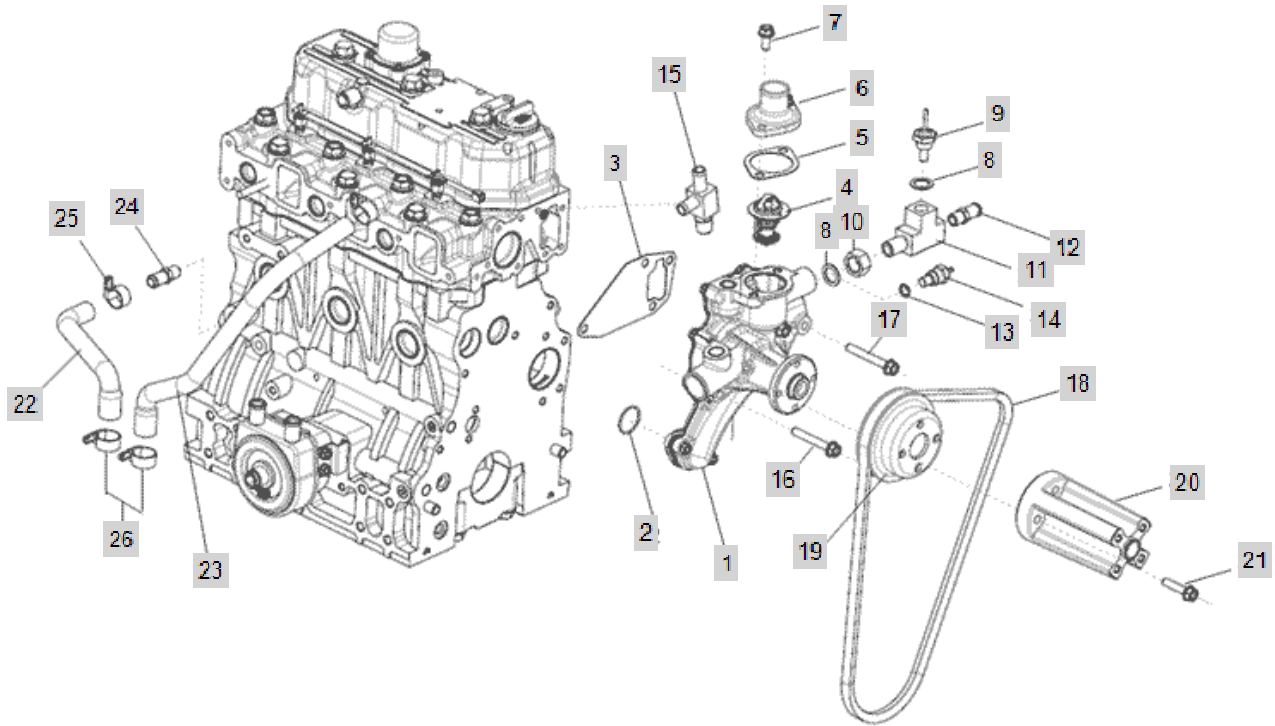


FIG A011

FUEL INJECTION PUMP

Year/Month

2020/02

A1700T3-ETC

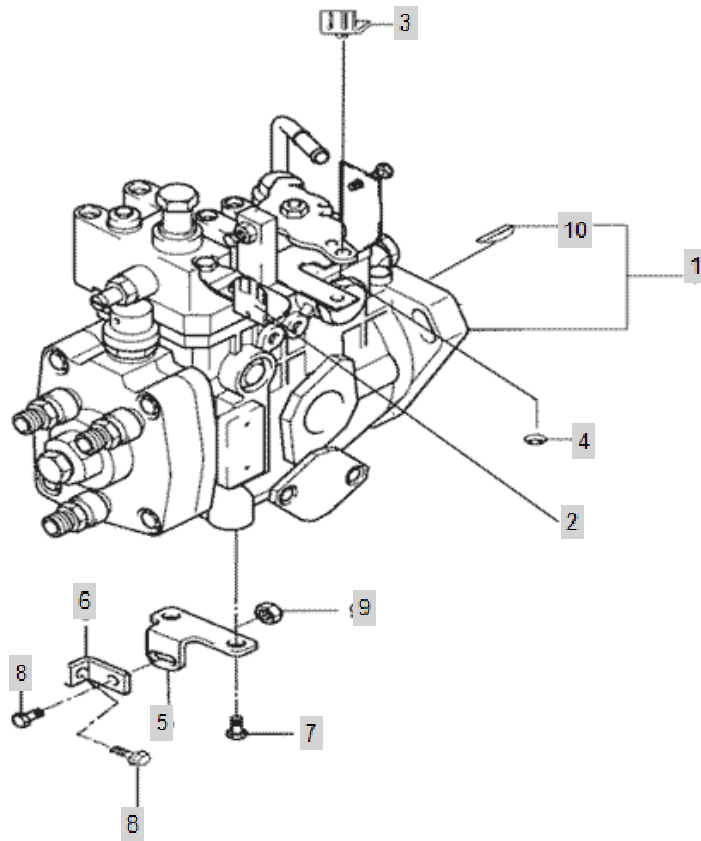


FIG A012B

FUEL INJECTION SYSTEM(A1700T3-ETC)

Year/Month

2020/02

A1700T3-ETC

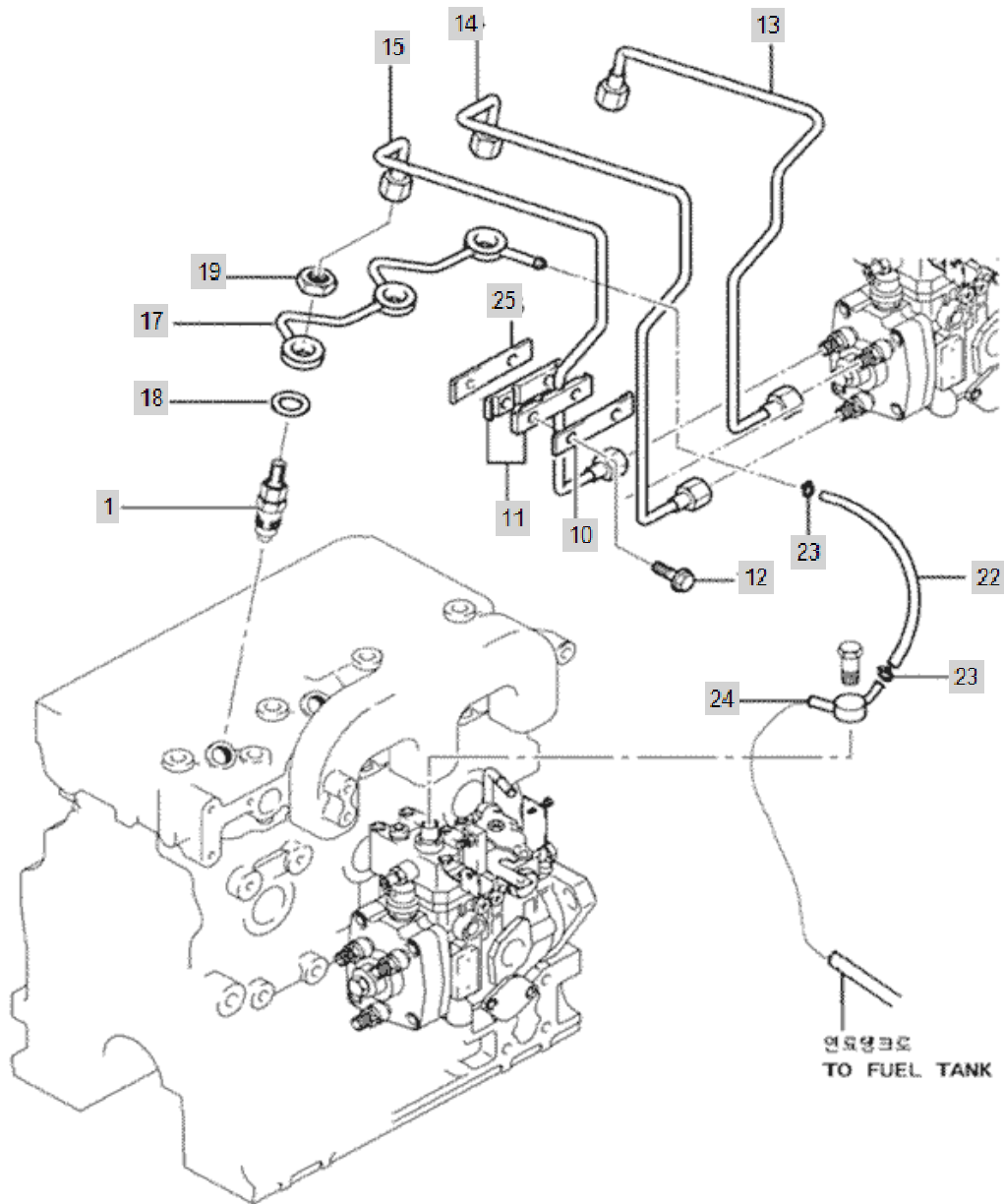


FIG A013-1

A1700T3-ETC

FUEL SYSTEM

Year/Month

2020/02

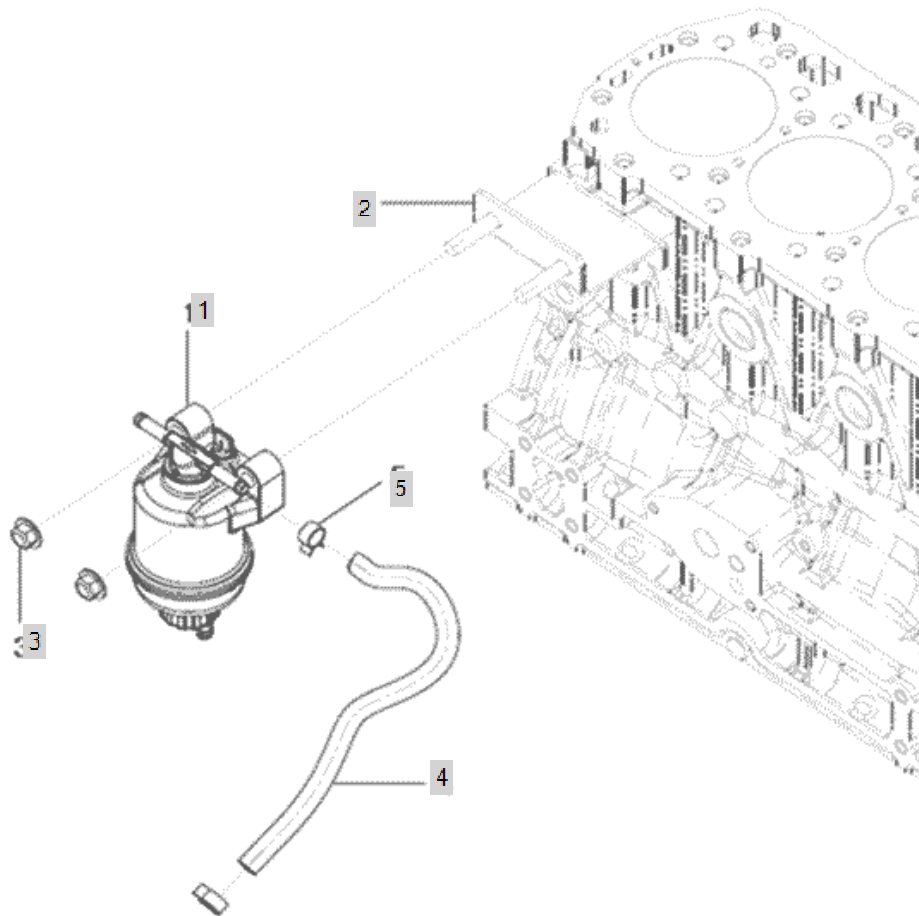


FIG A013-2

FUEL SYSTEM(2018.05~)

Year/Month

A1700T3-ETC

2020/02

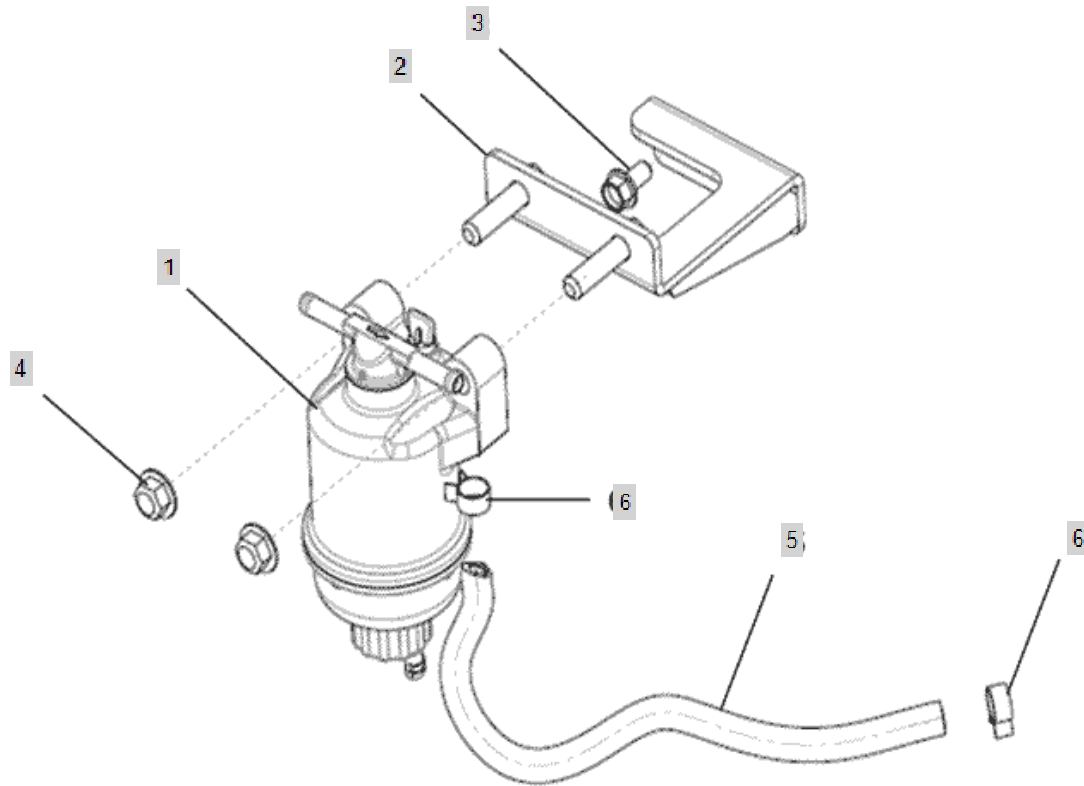


FIG A014

STARTING MOTOR

Year/Month

A1700T3-ETC

2020/02

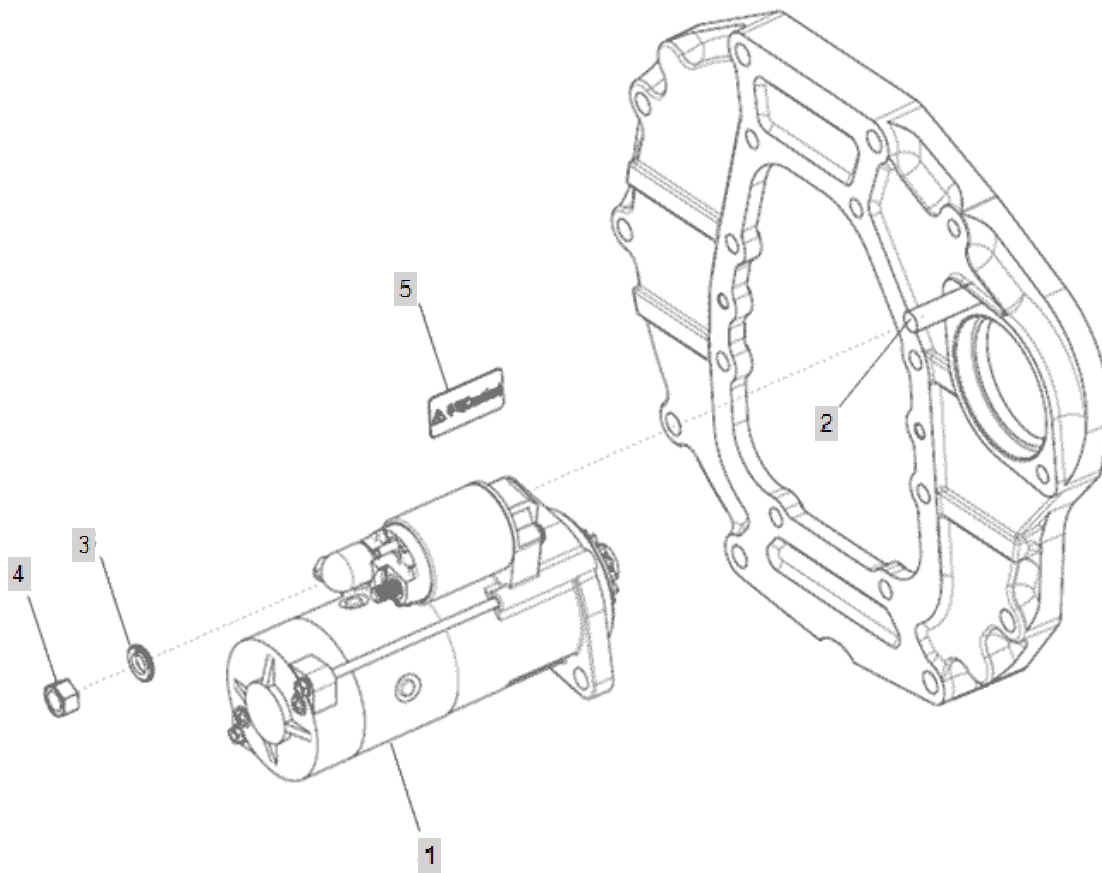


FIG A015

GENERATOR & ELECTRIC DEVICE

Year/Month

2020/02

A1700T3-ETC

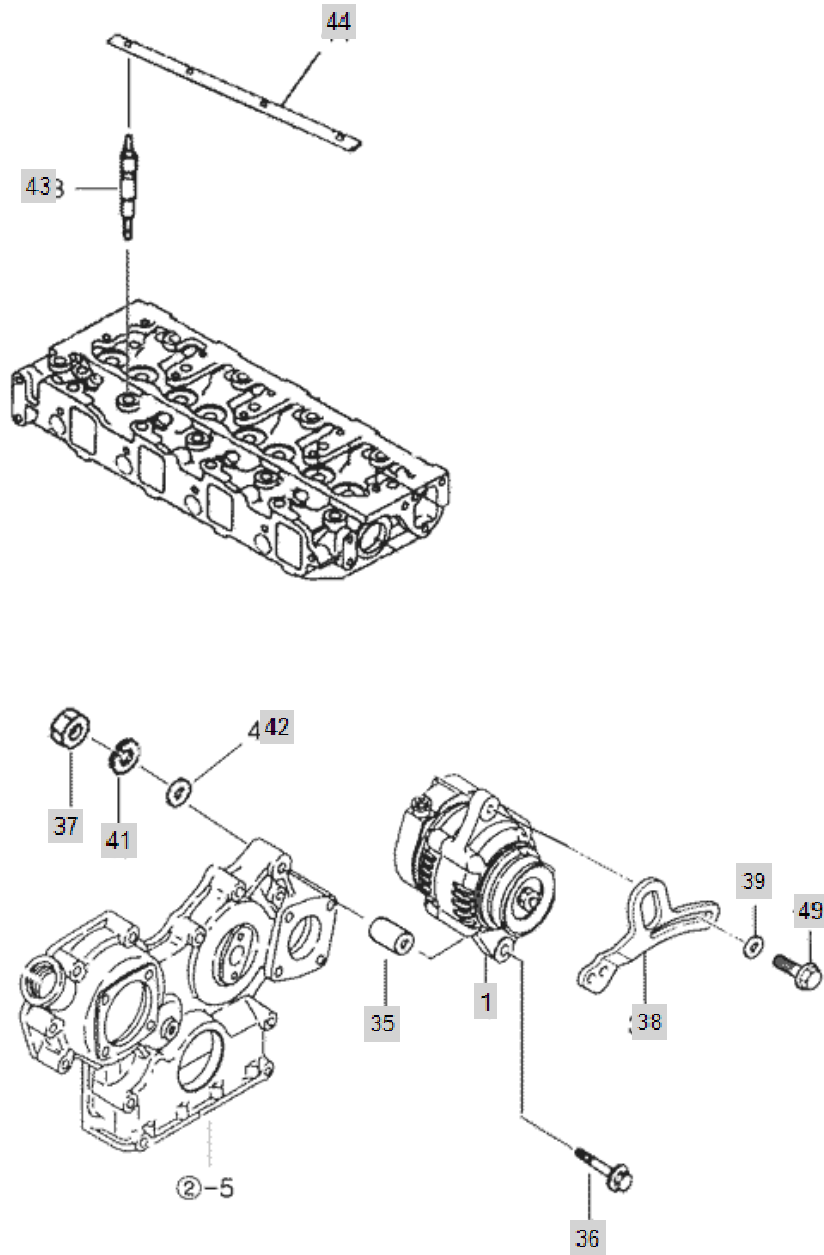


FIG A016

COMPRESSOR SUPPORT

Year/Month

2020/02

A1700T3-ETC

