

KUKJE A1100T2(B3000H) Branson Engine

Parts Catalogue

FIG A001

CYLINDER BLOCK

Year/Month

A1100T2(B3000H)

2020/02

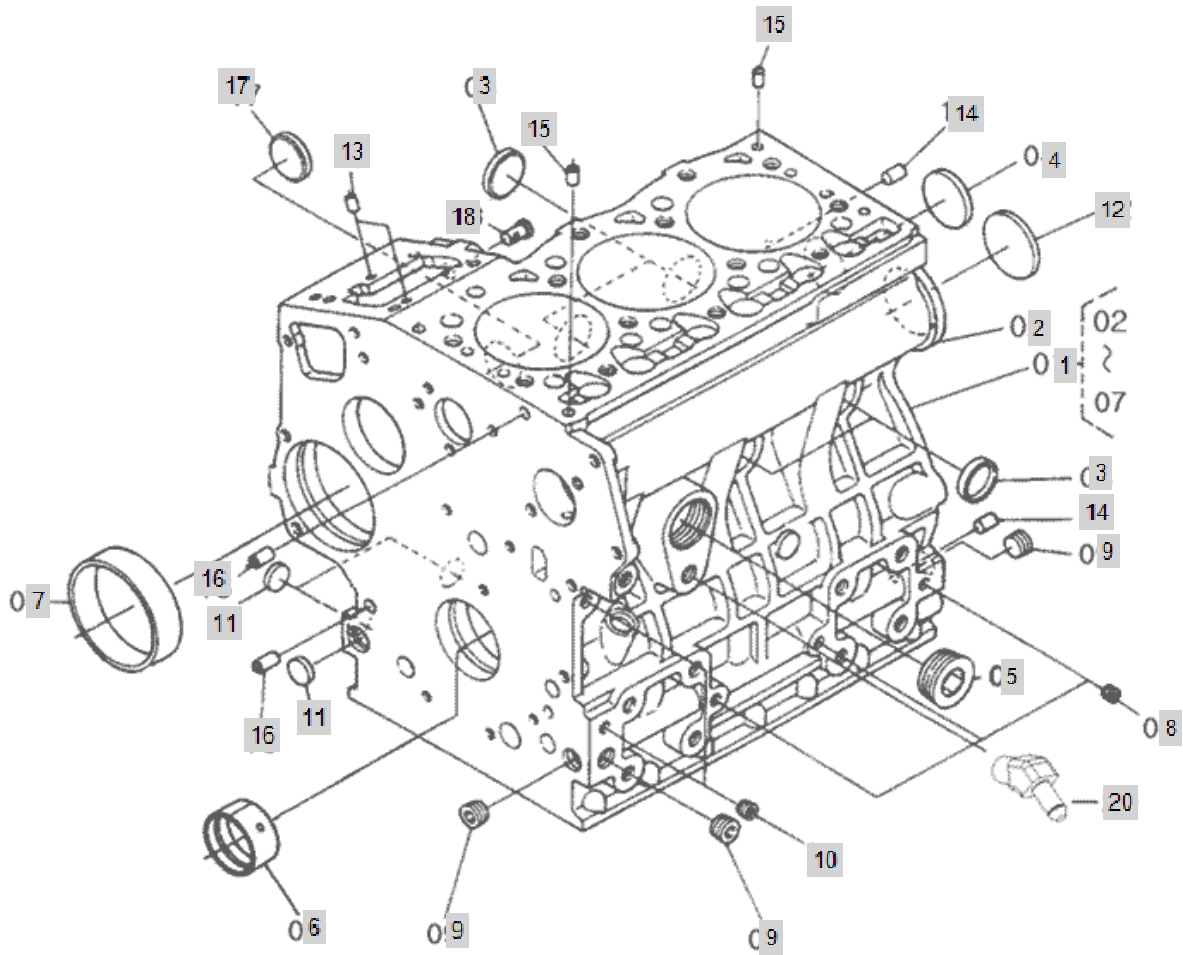


FIG A002

OIL PAN

Year/Month

A1100T2(B3000H)

2020/02

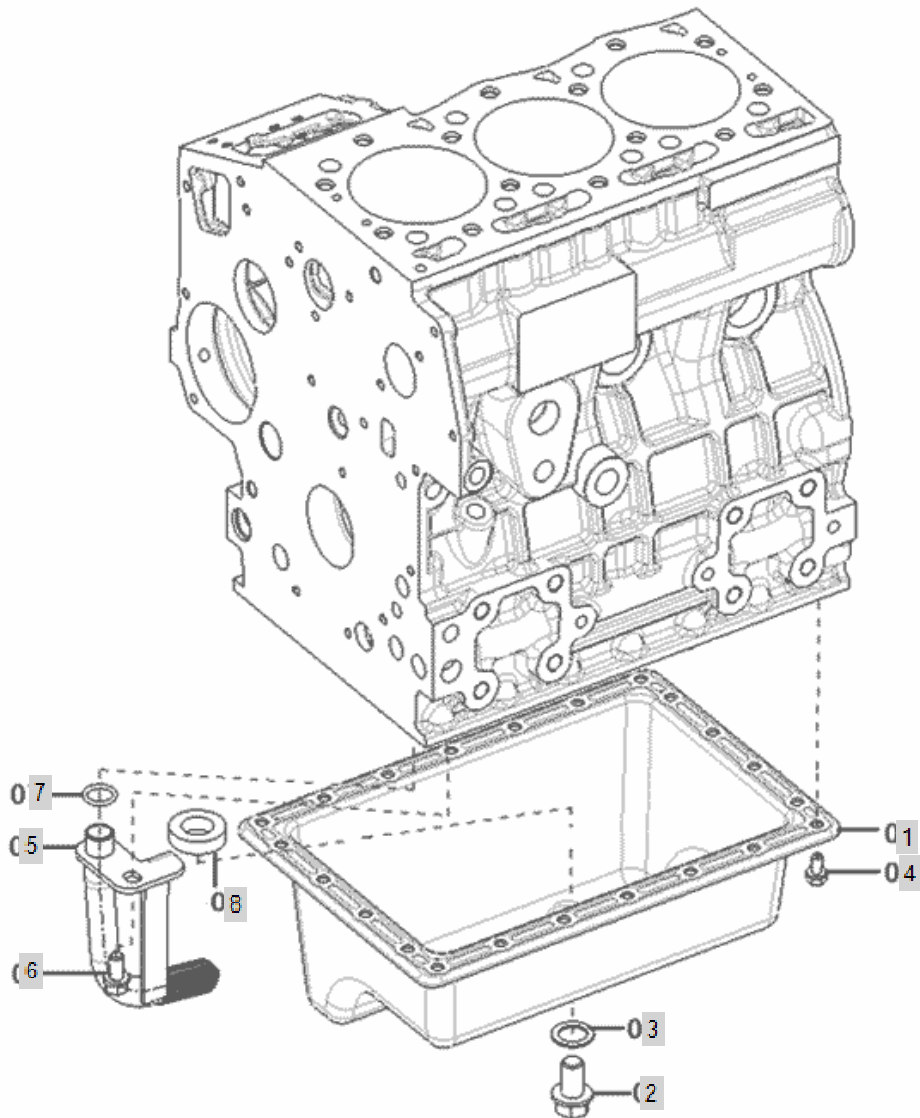


FIG A004

GEAR CASE

Year/Month

A1100T2(B3000H)

2020/02

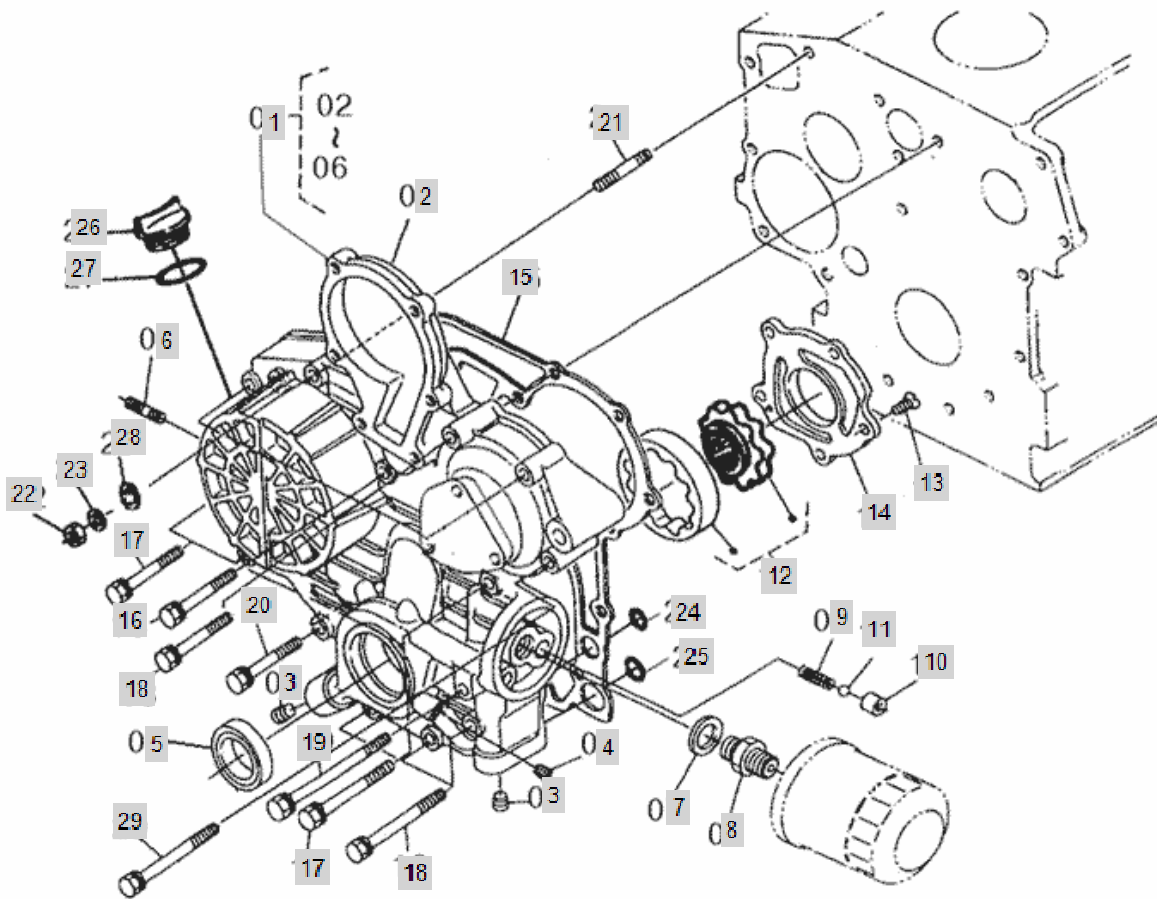


FIG A005

A1100T2(B3000H)

HEAD COVER

Year/Month

2020/02

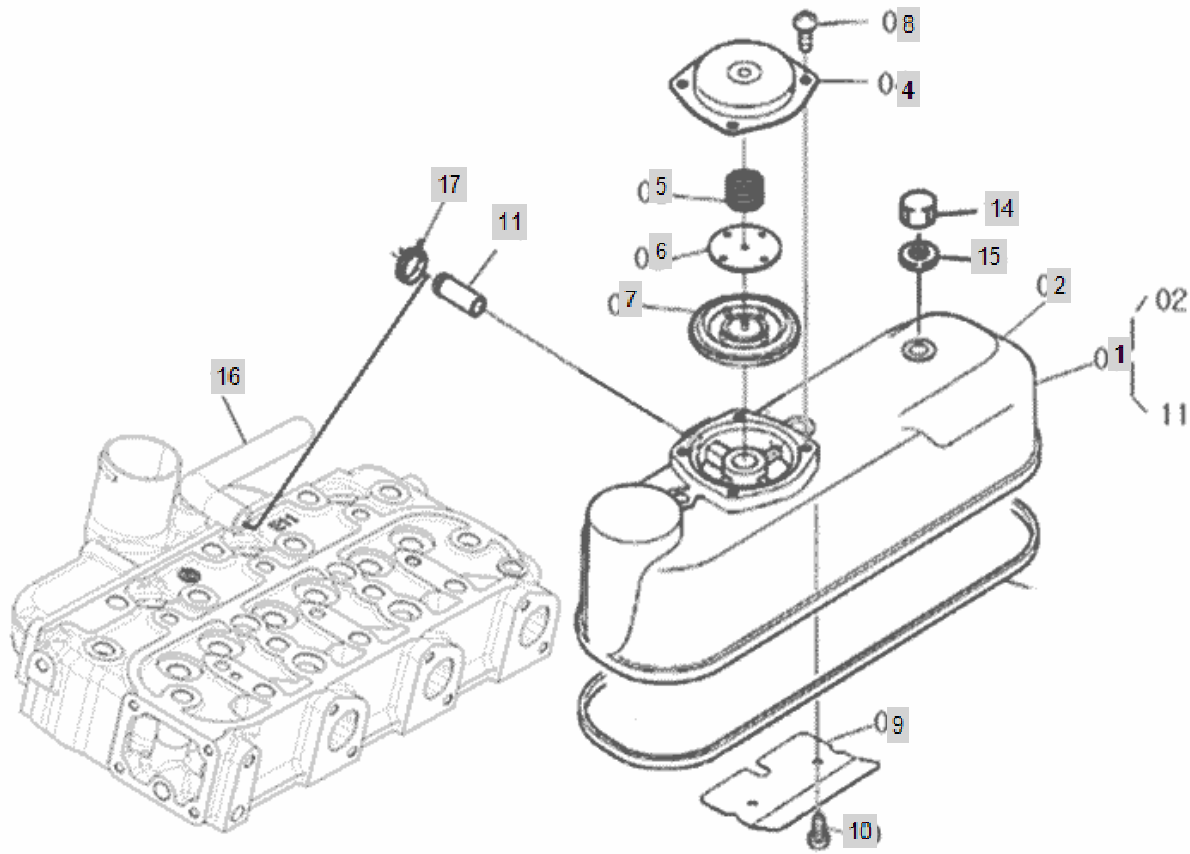


FIG A006

A1100T2(B3000H)

OIL FILTER

Year/Month

2020/02

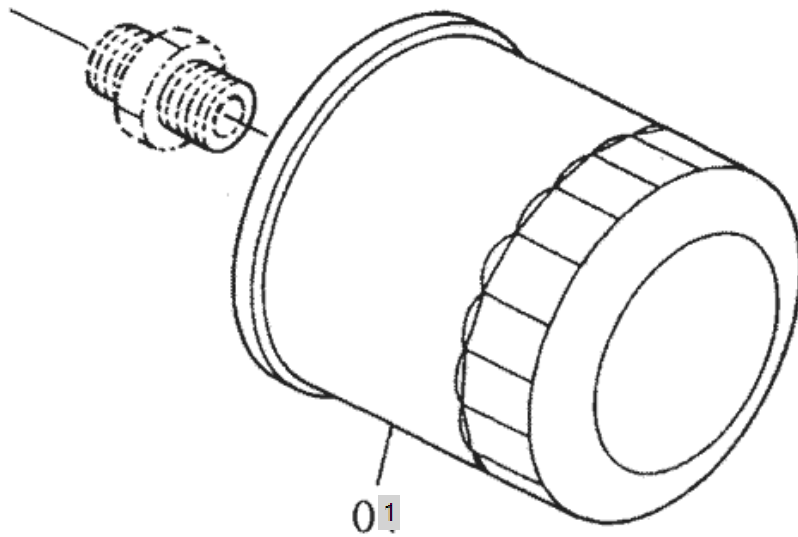


FIG A007

A1100T2(B3000H)

OIL GAUGE

Year/Month

2020/02

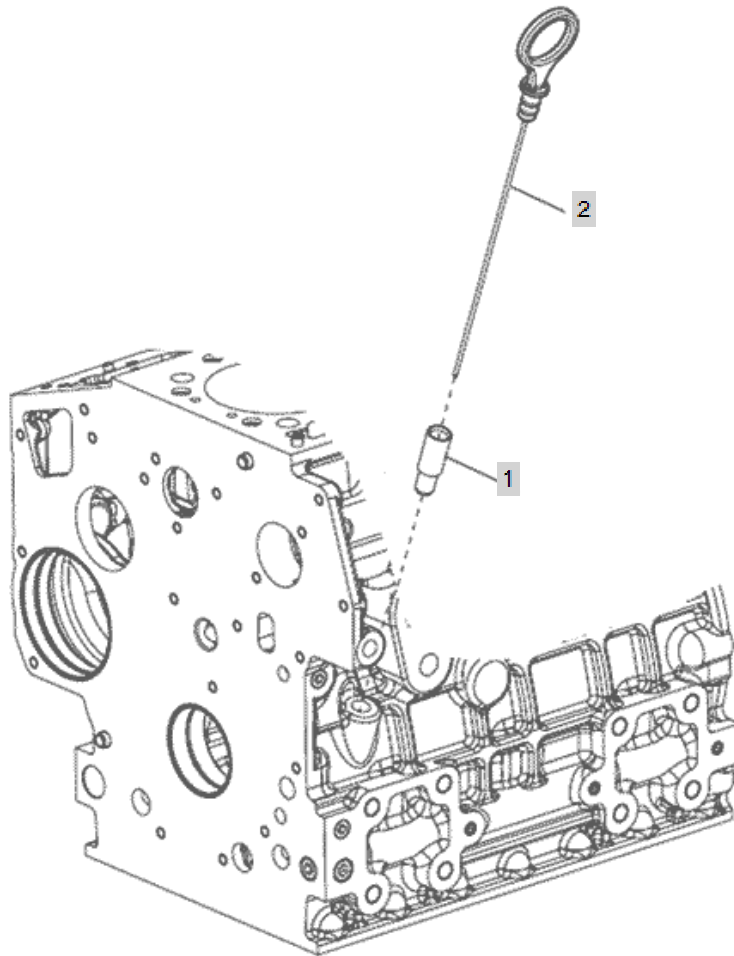


FIG A008

A1100T2(B3000H)

MAIN BEARING CASE

Year/Month

2020/02

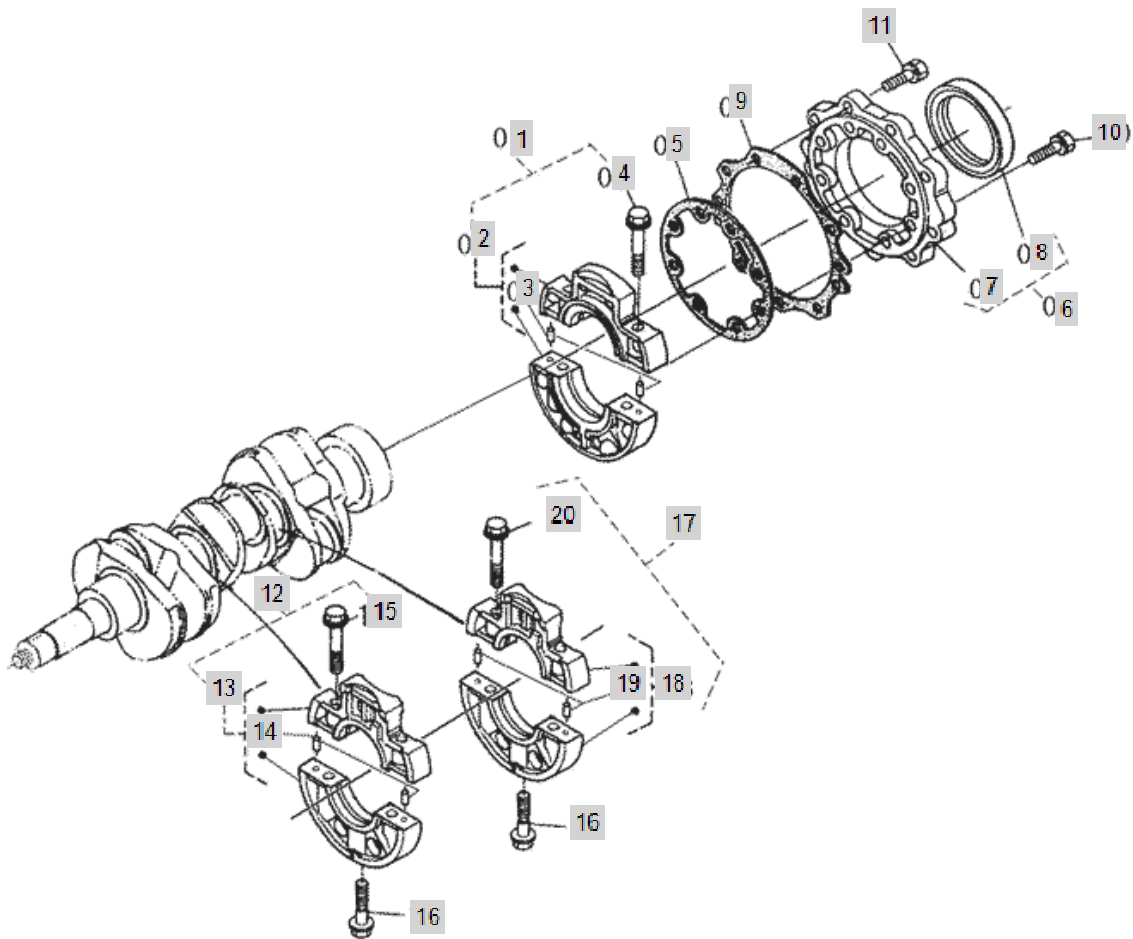


FIG A009

CAM SHAFT & IDLE SHAFT

Year/Month

A1100T2(B3000H)

2020/02

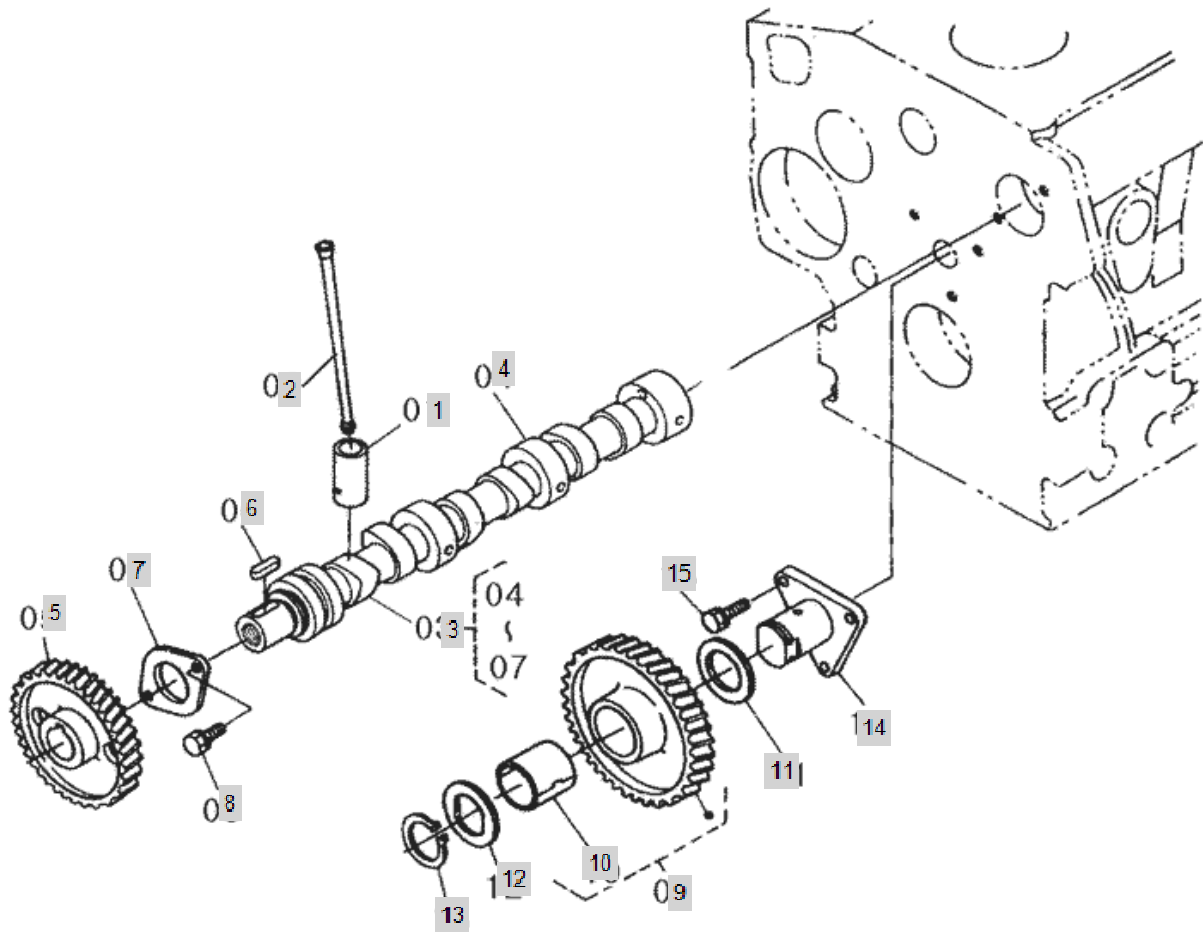


FIG A010

A1100T2(B3000H)

PISTON & CRANK SHAFT

Year/Month

2020/02

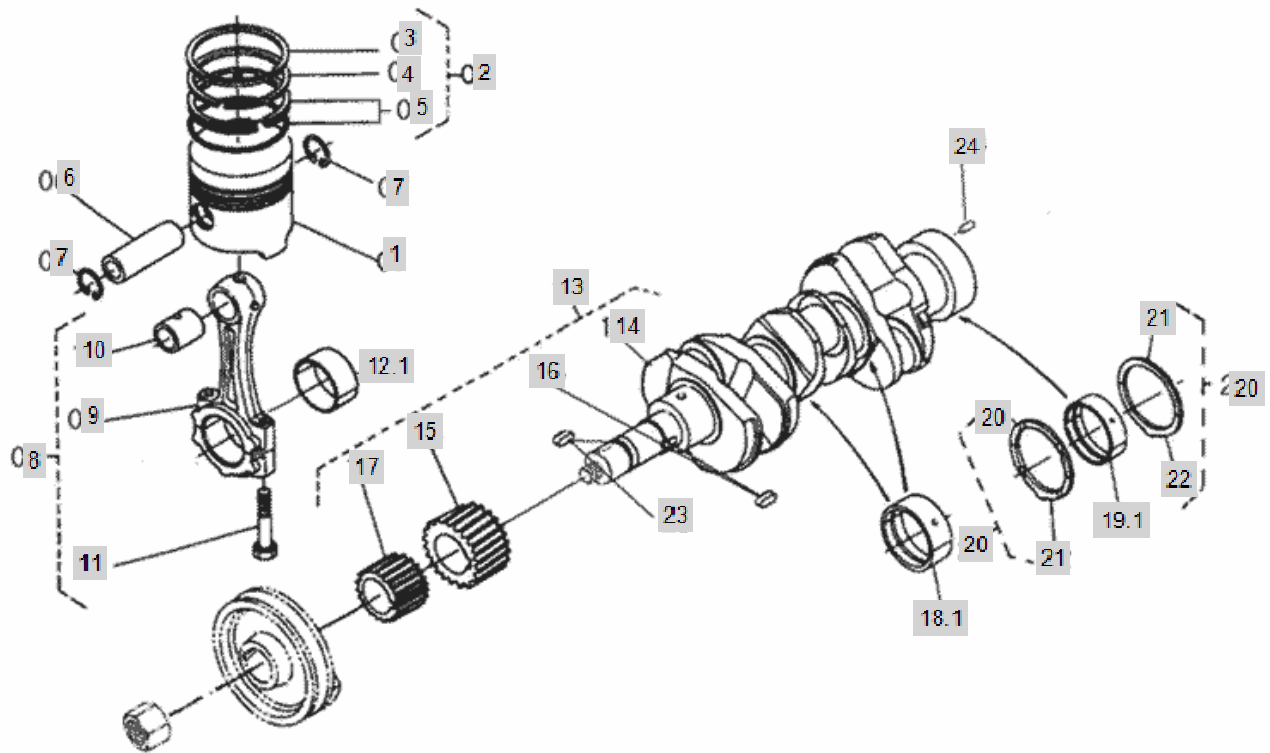


FIG A011

FLYWHELL

Year/Month

A1100T2(B3000H)

2020/02

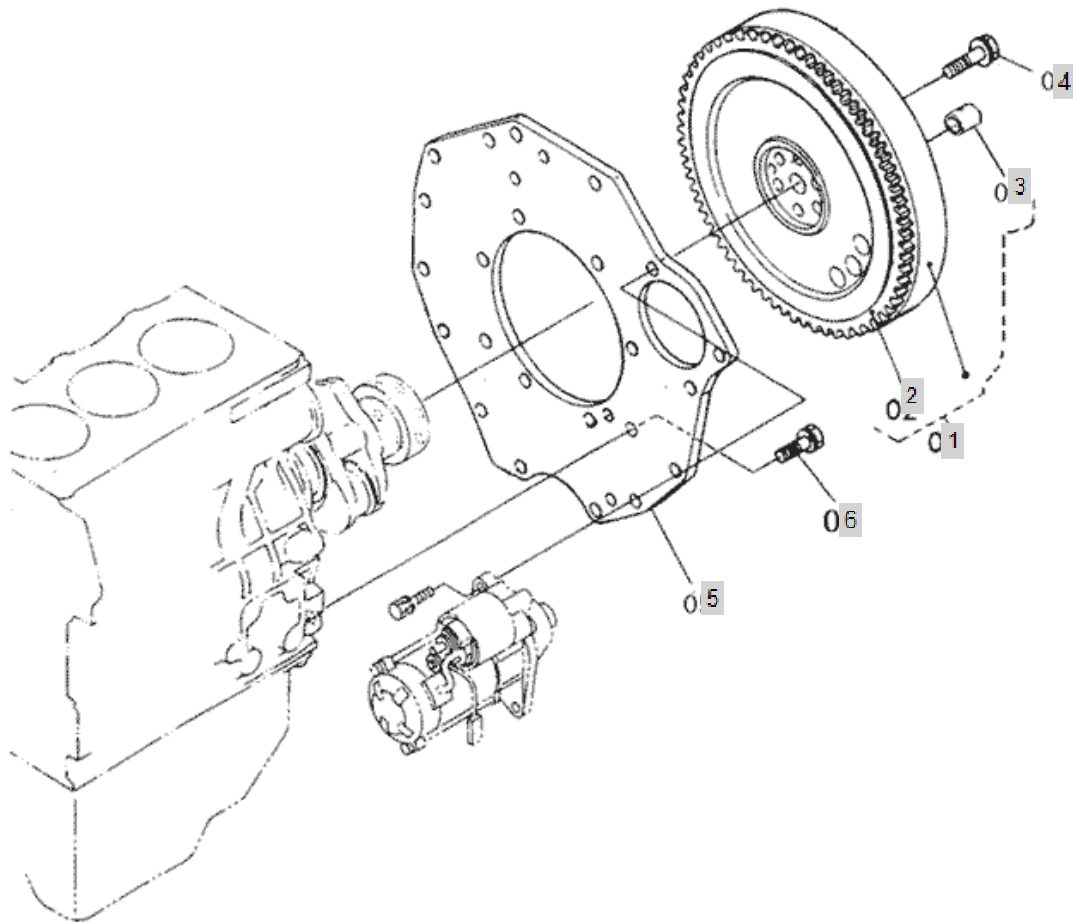


FIG A012

A1100T2(B3000H)

FUEL CAM SHAFT & GOVERNOR SHAFT

Year/Month

2020/02

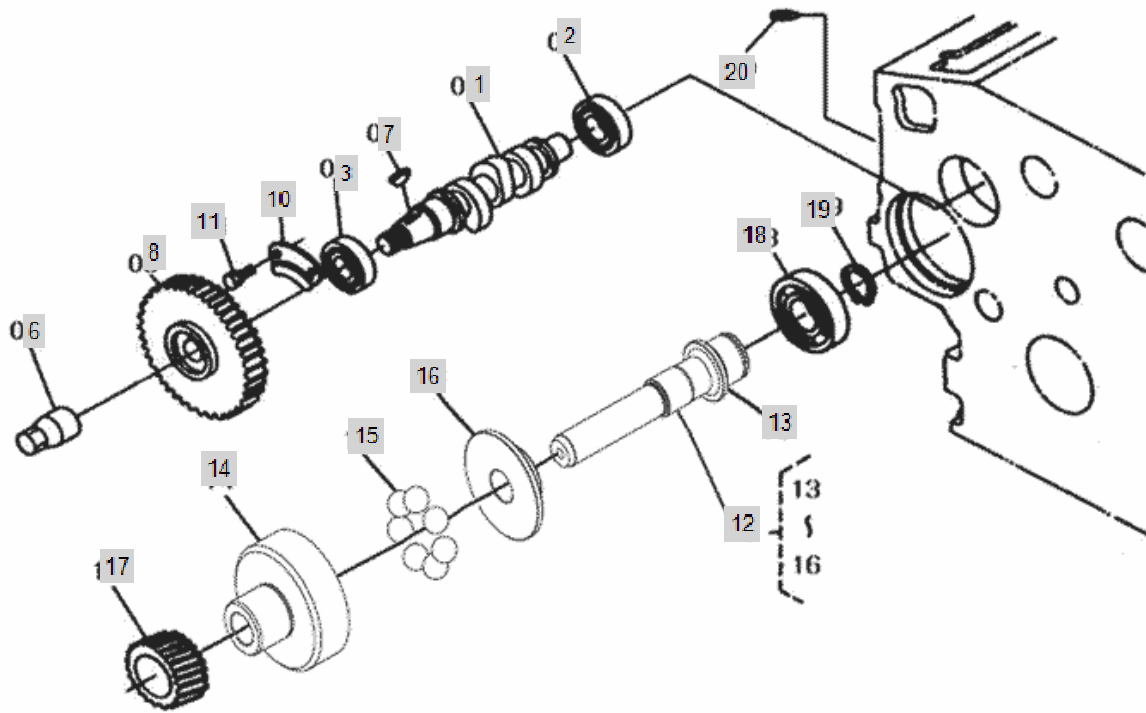


FIG A013

A1100T2(B3000H)

IDLE APPARATUS

Year/Month

2020/02

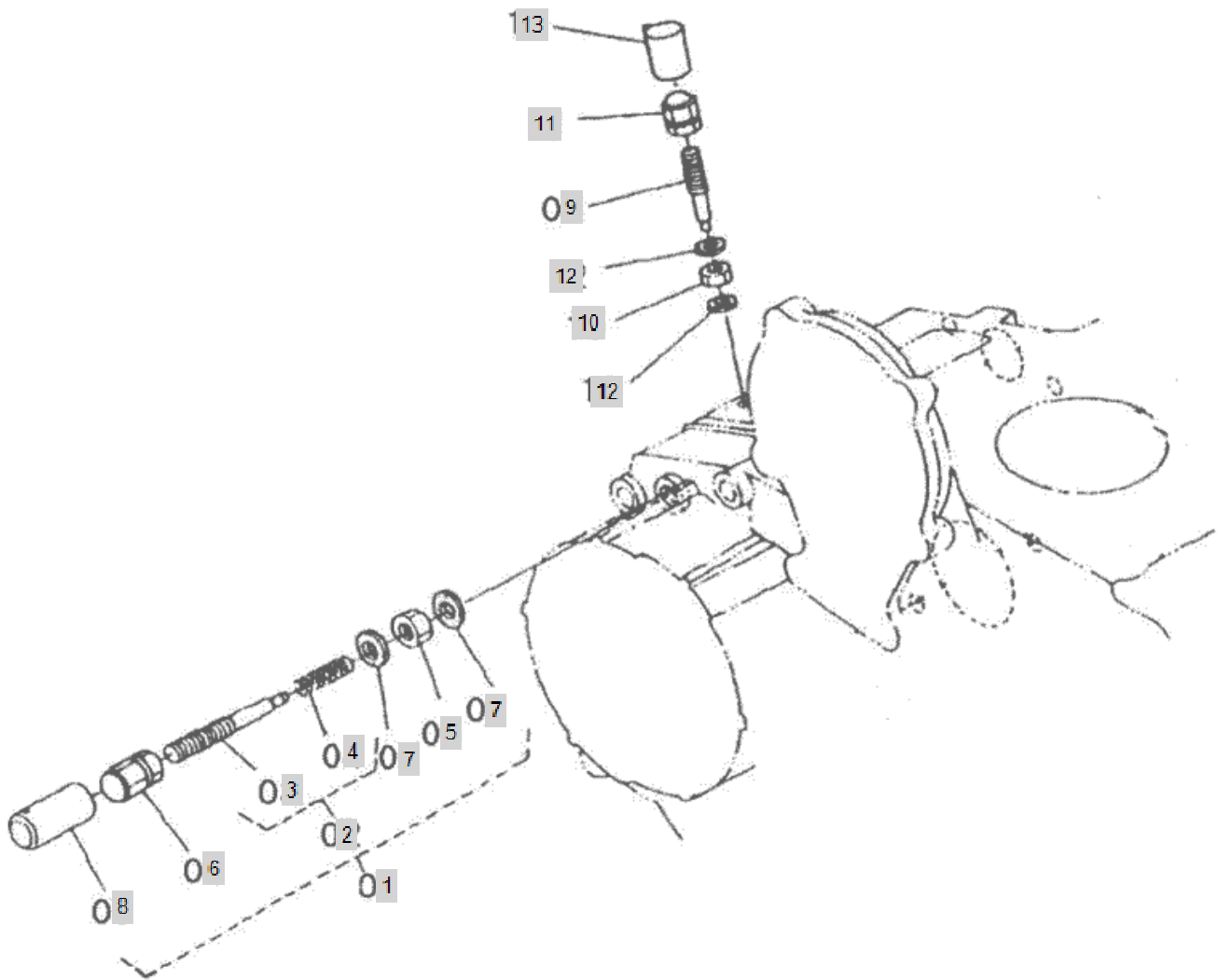


FIG A014

FUEL INJECTION PUMP

Year/Month

A1100T2(B3000H)

2020/02

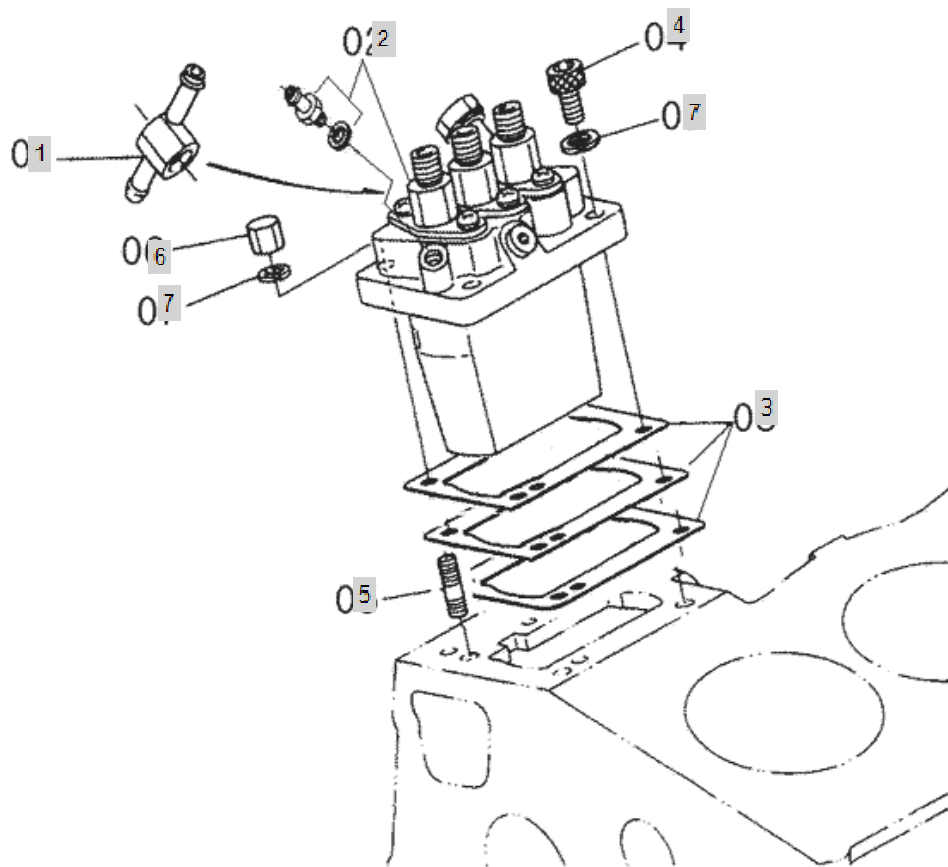


FIG A015

GOVERNOR

Year/Month

A1100T2(B3000H)

2020/02

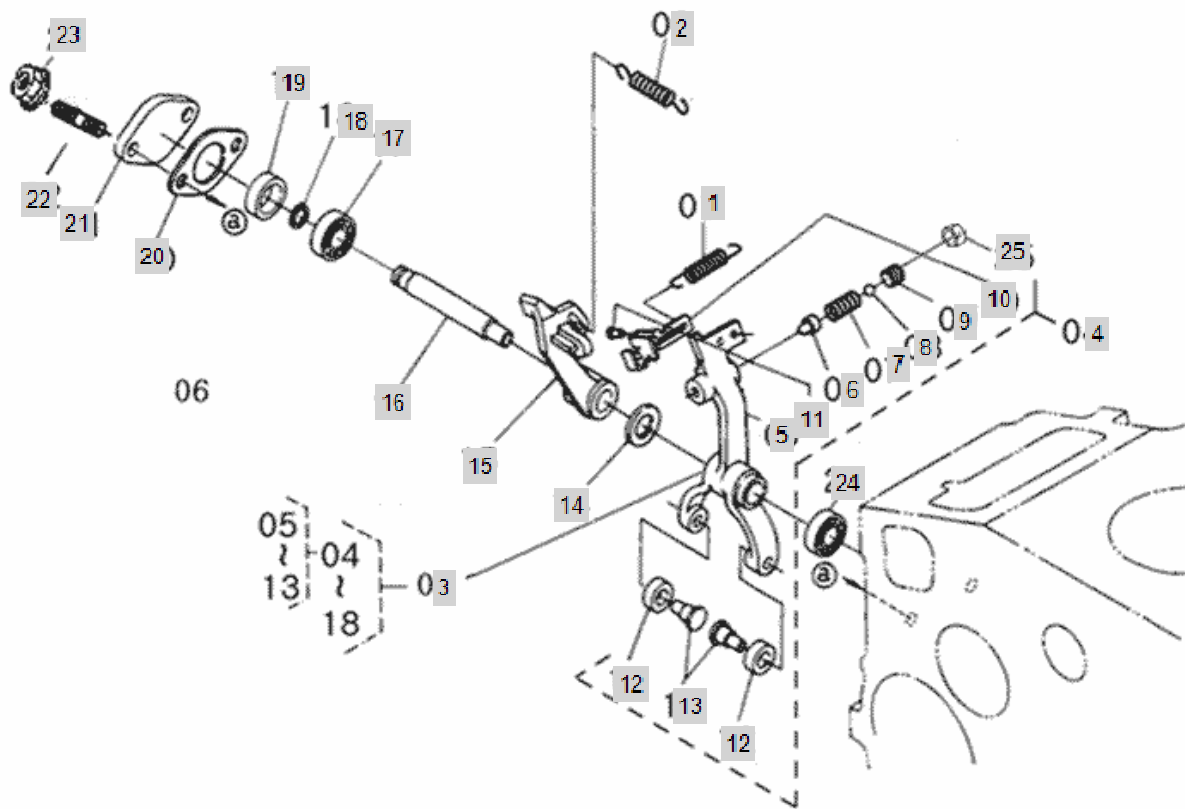


FIG A016

A1100T2(B3000H)

SPEED CONTROL PLATE

Year/Month

2020/02

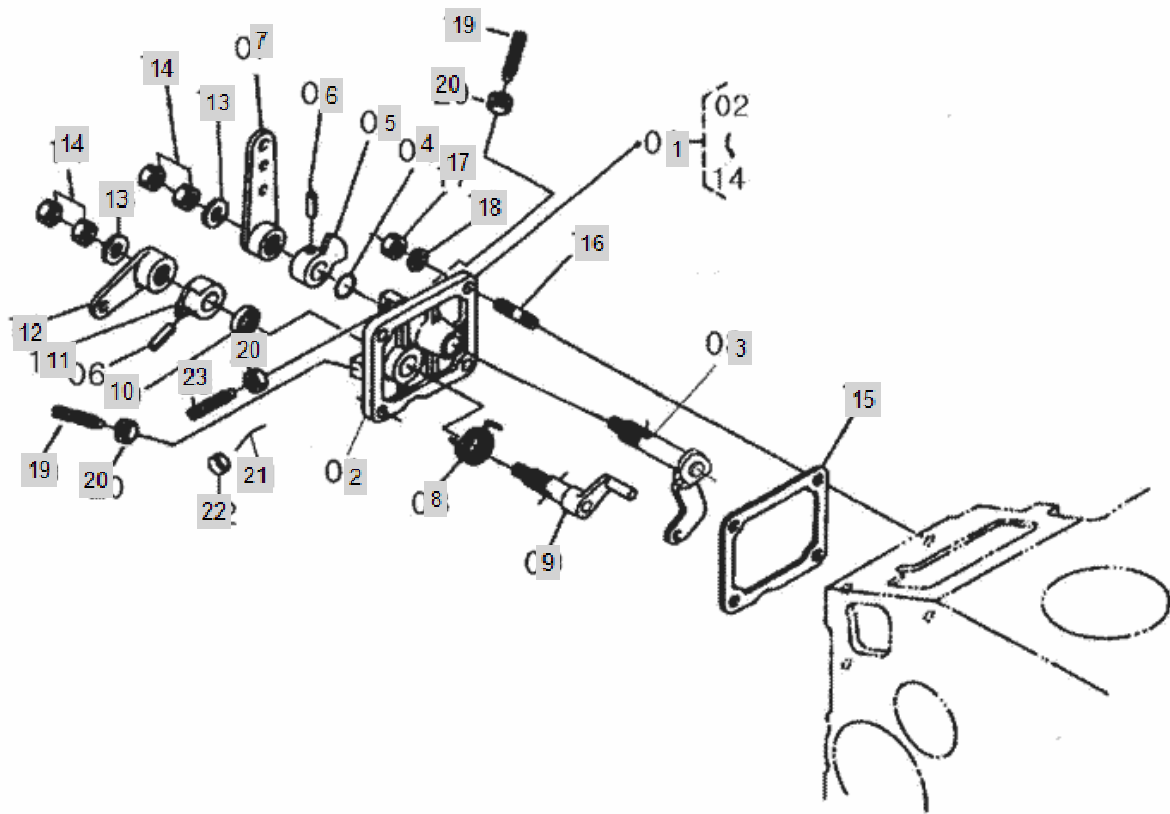


FIG A017

A1100T2(B3000H)

INJECTOR & GLOW PLUG

Year/Month

2020/02

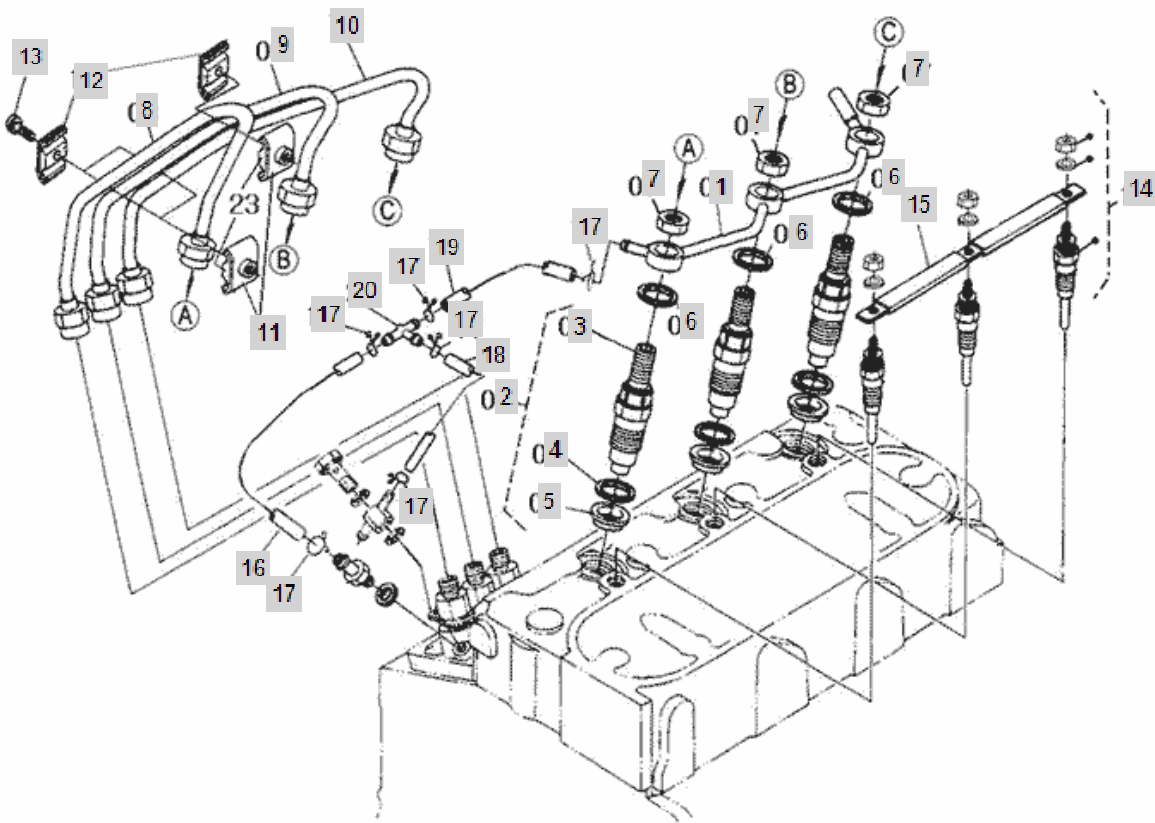


FIG A018

A1100T2(B3000H)

FEED PUMP

Year/Month

2020/02

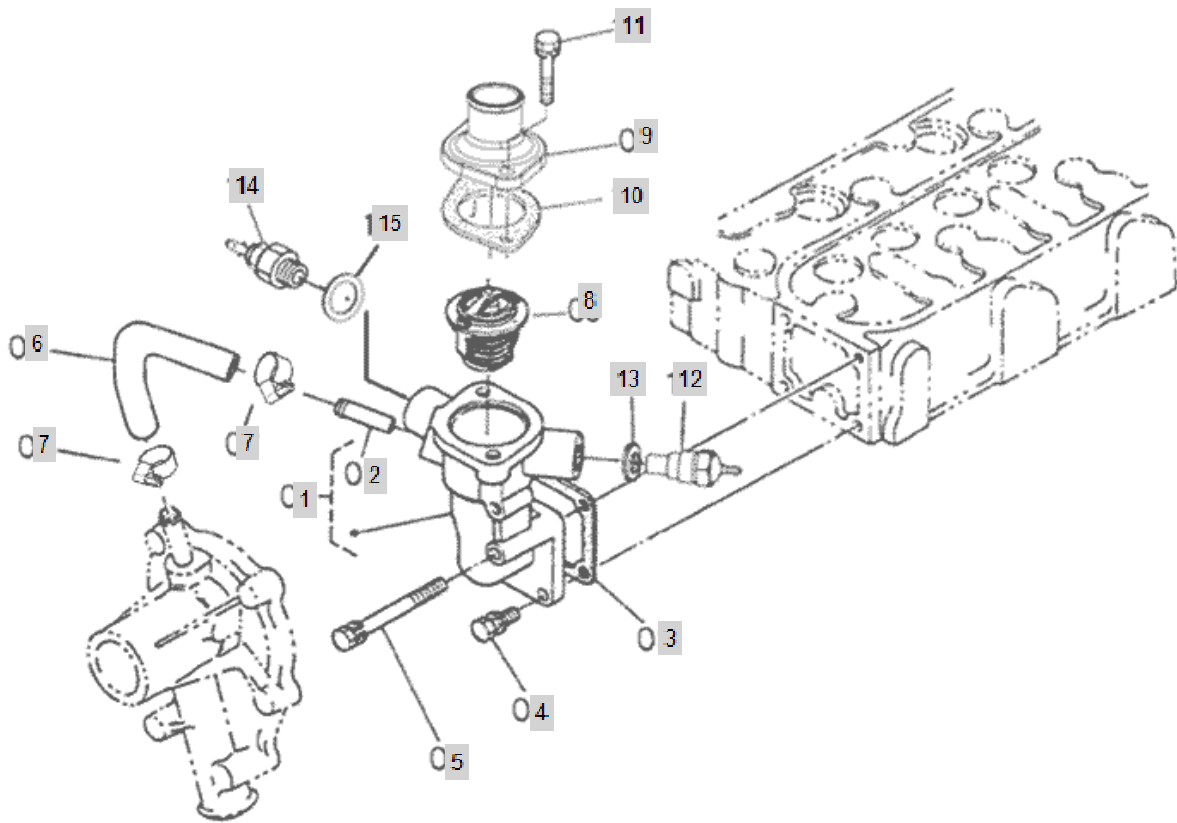


FIG A020

WATER PUMP

Year/Month

A1100T2(B3000H)

2020/02

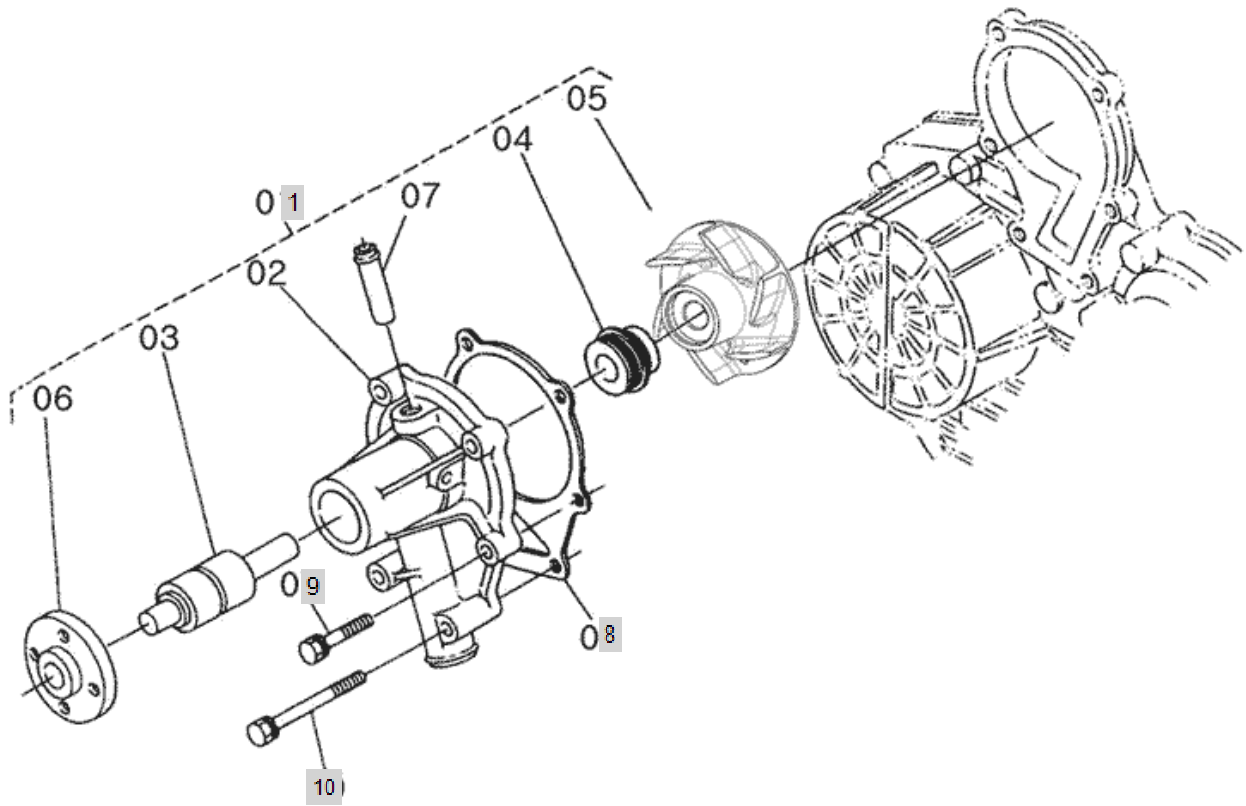


FIG A021

A1100T2(B3000H)

ROCKER ARM

Year/Month

2020/02

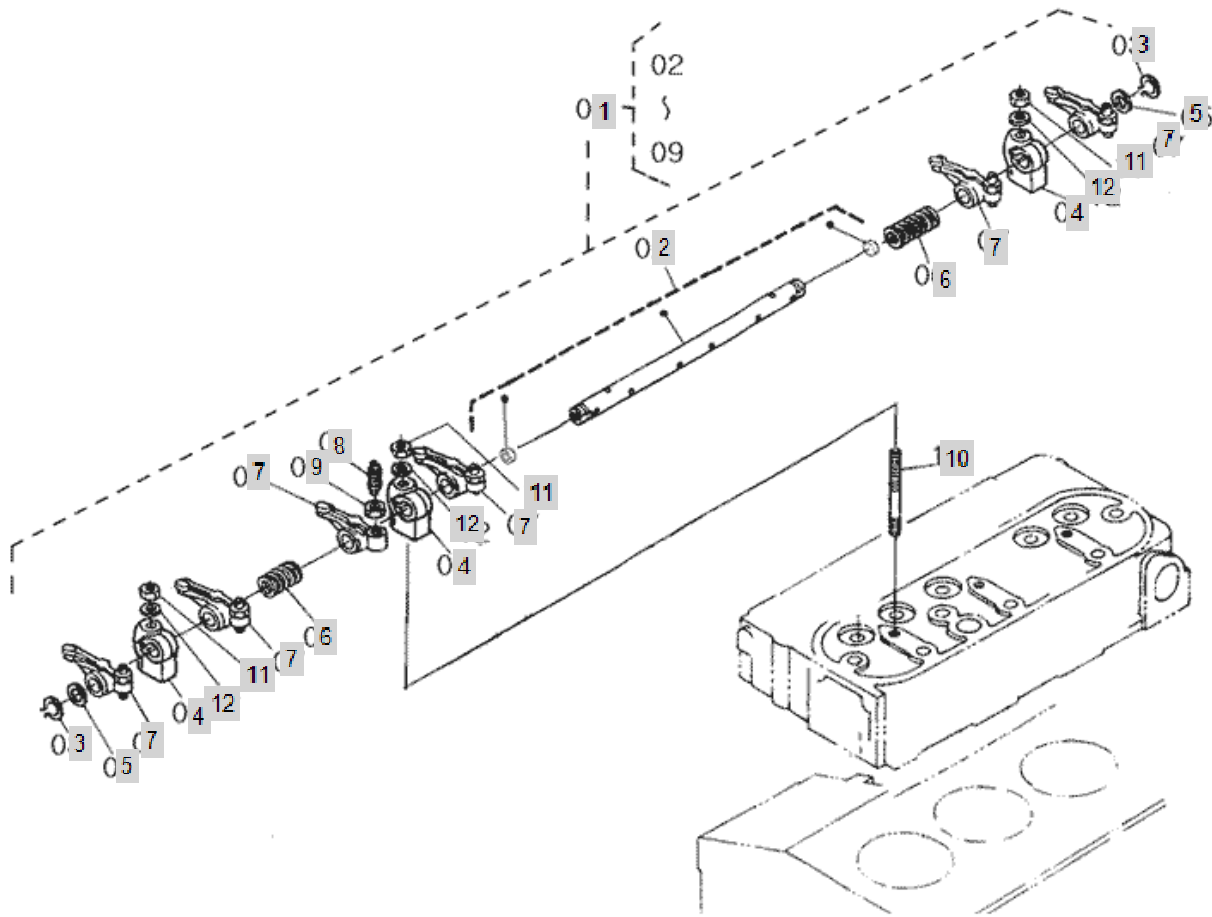


FIG A022

A1100T2(B3000H)

INTAKE MANIFOLD

Year/Month

2020/02

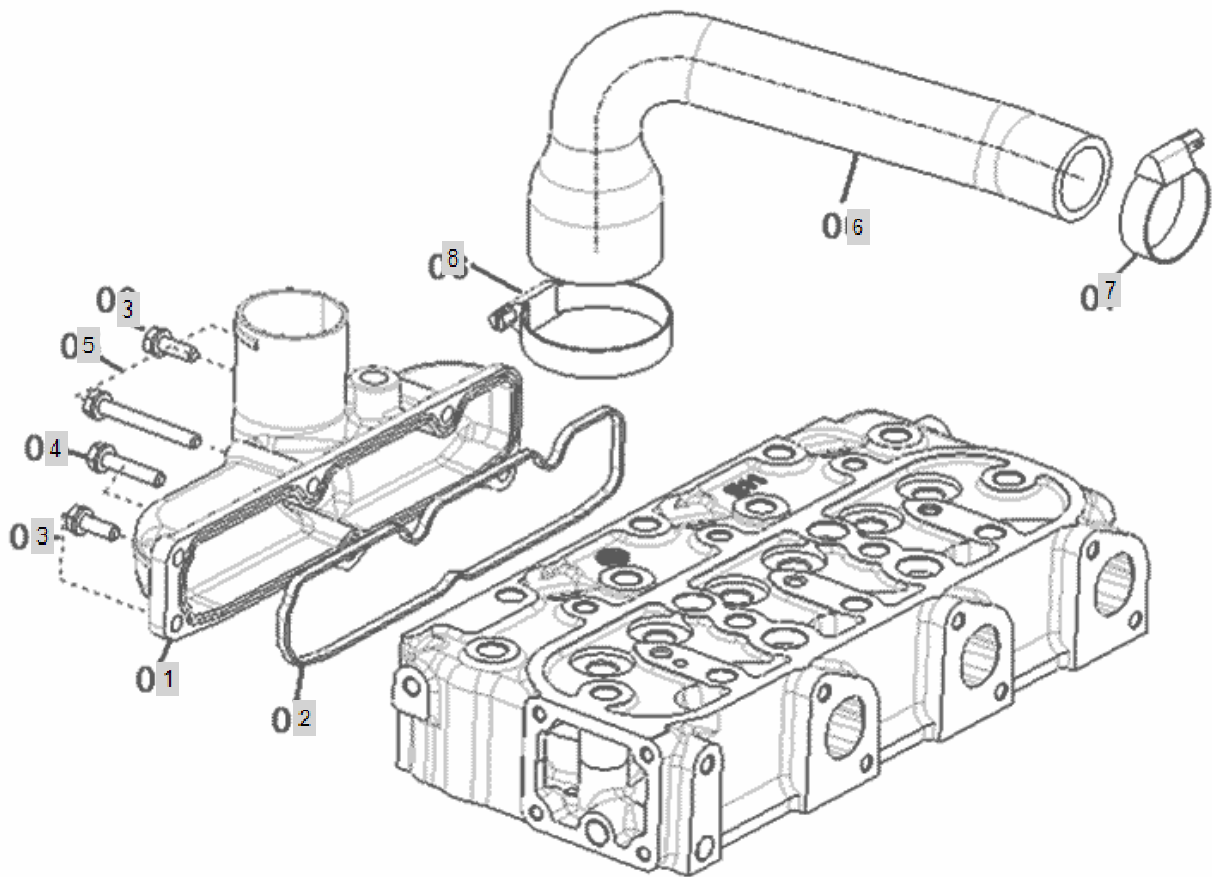


FIG A023

EXHAUST MANIFOLD

Year/Month

A1100T2(B3000H)

2020/02

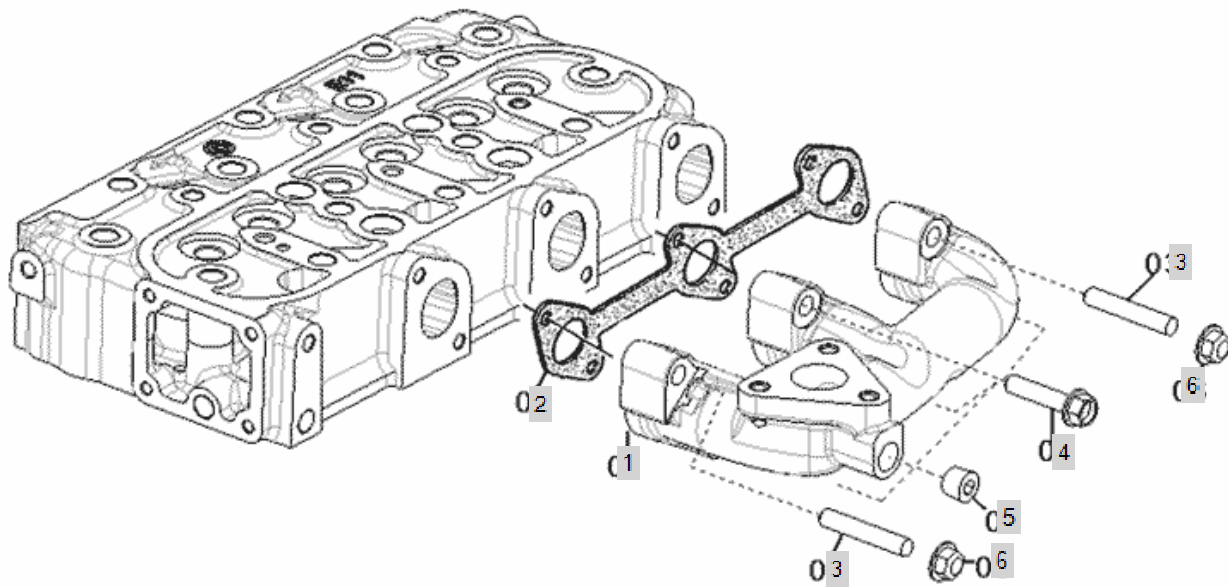


FIG A024

A1100T2(B3000H)

STOP SOLENOID

Year/Month

2020/02

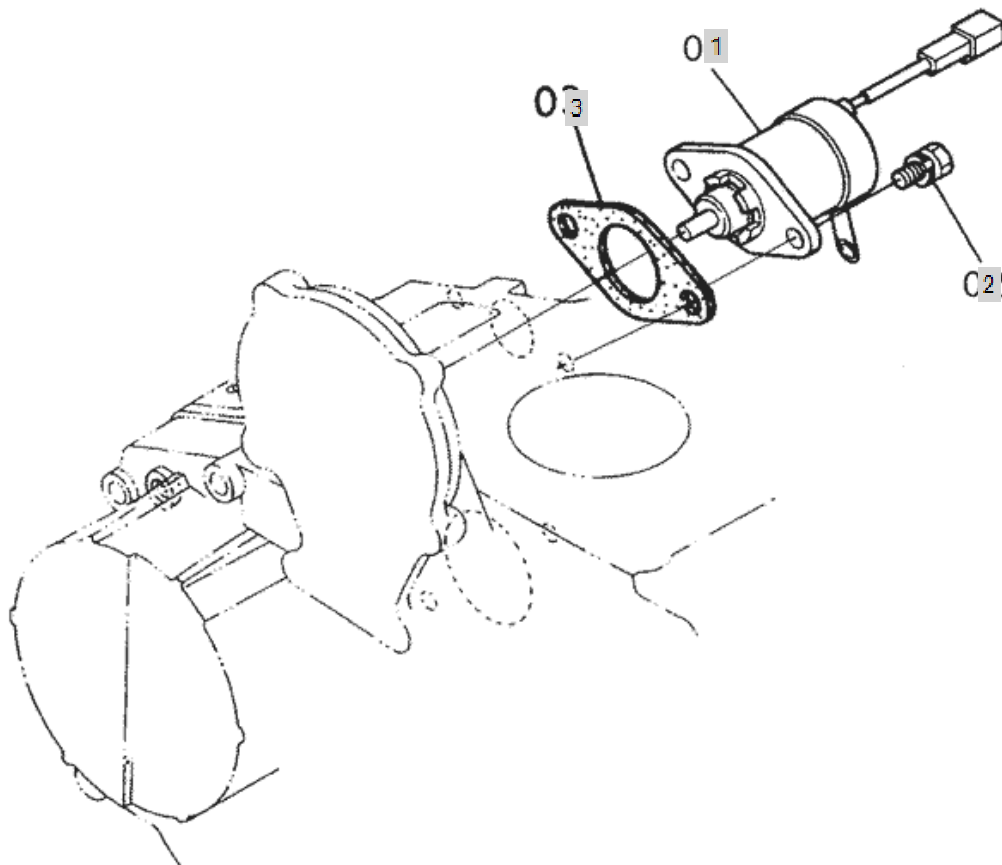


FIG A025

A1100T2(B3000H)

ALTERNATOR & PULLEY

Year/Month

2020/02

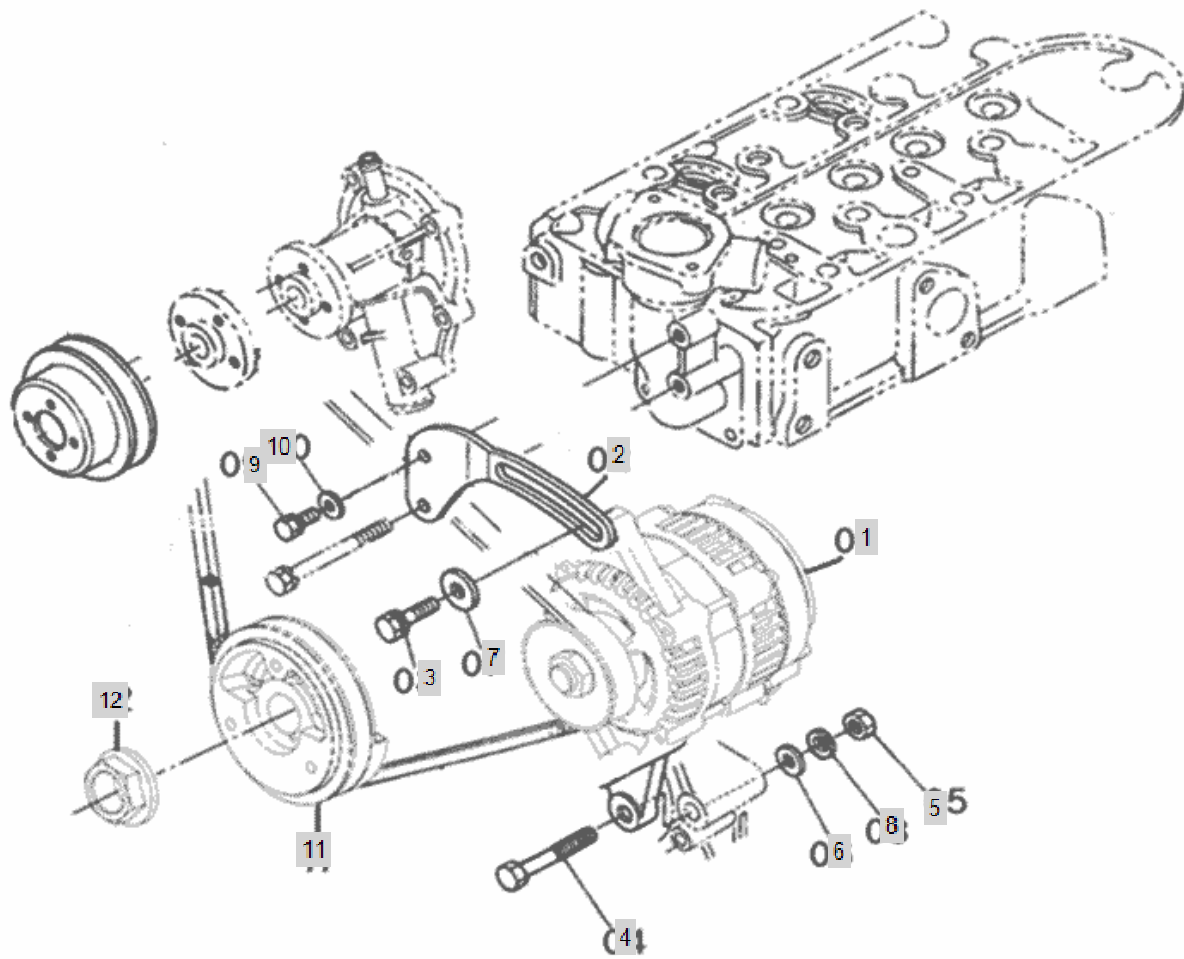


FIG A026

STARTING MOTOR

Year/Month

A1100T2(B3000H)

2020/02

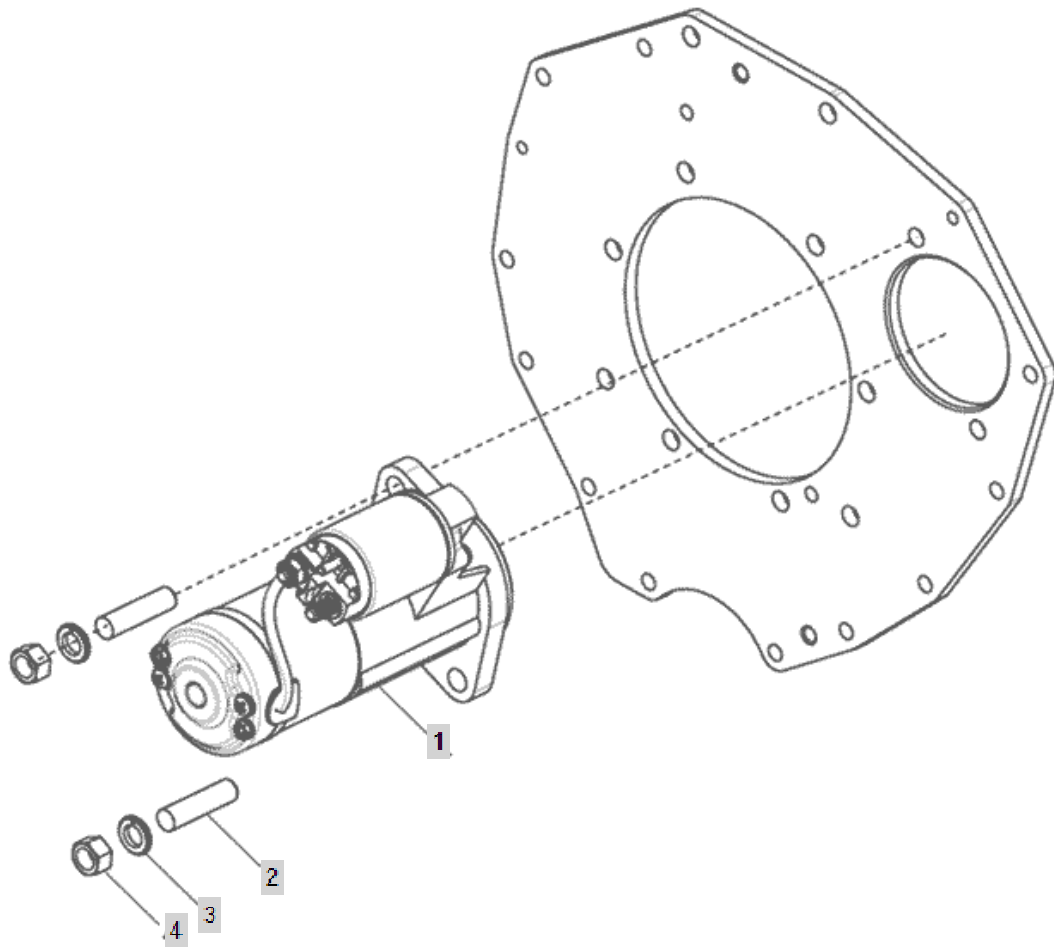


FIG A028

TURBO CHARGER & EXHAUST SILENCER

Year/Month

A1100T2(B3000H)

2020/02

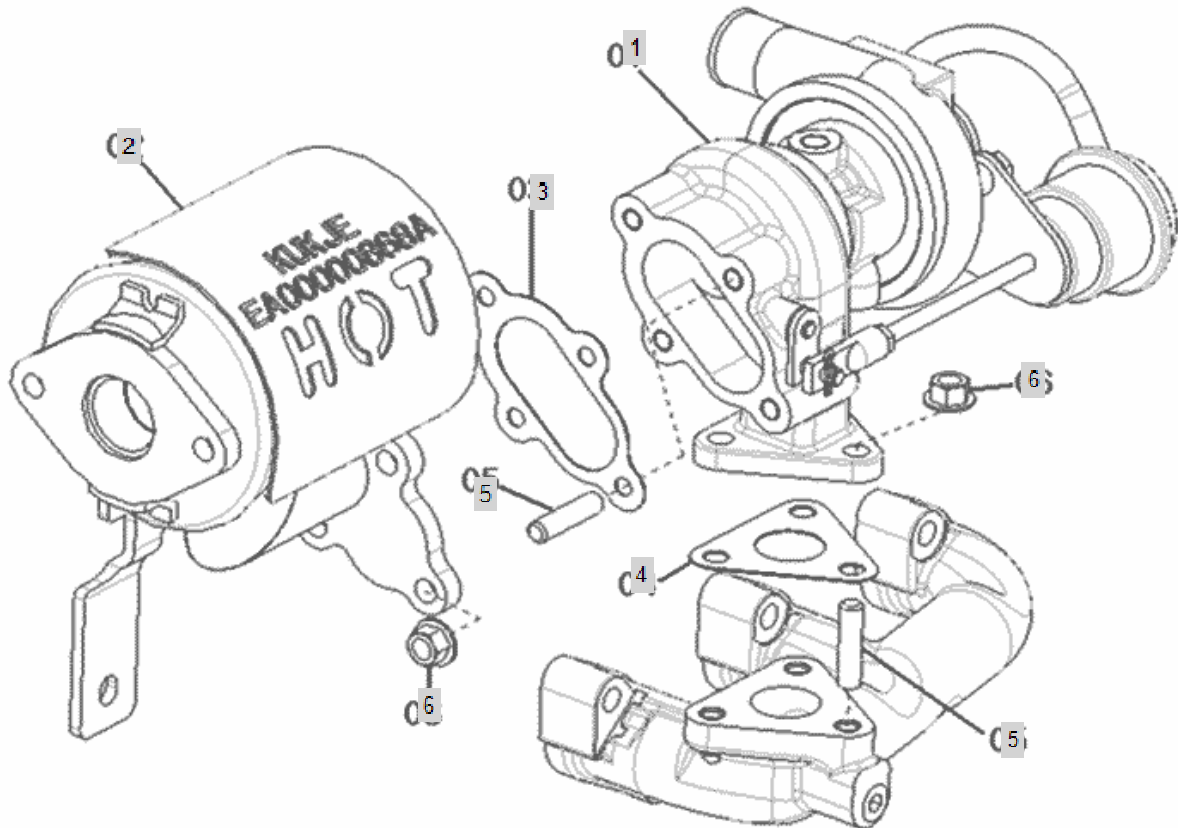


FIG A029

A1100T2(B3000H)

COOLING PAN

Year/Month

2020/02

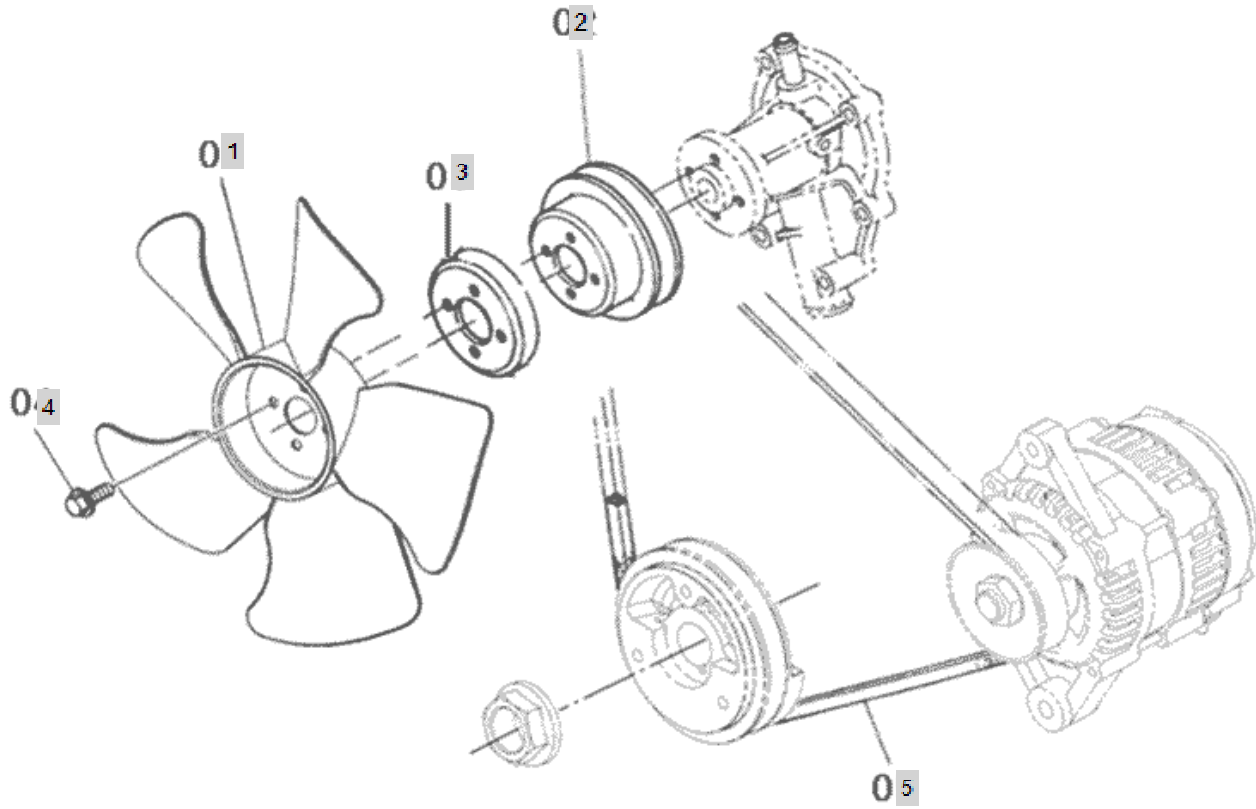


FIG A031

OIL PIPE

Year/Month

A1100T2(B3000H)

2020/02

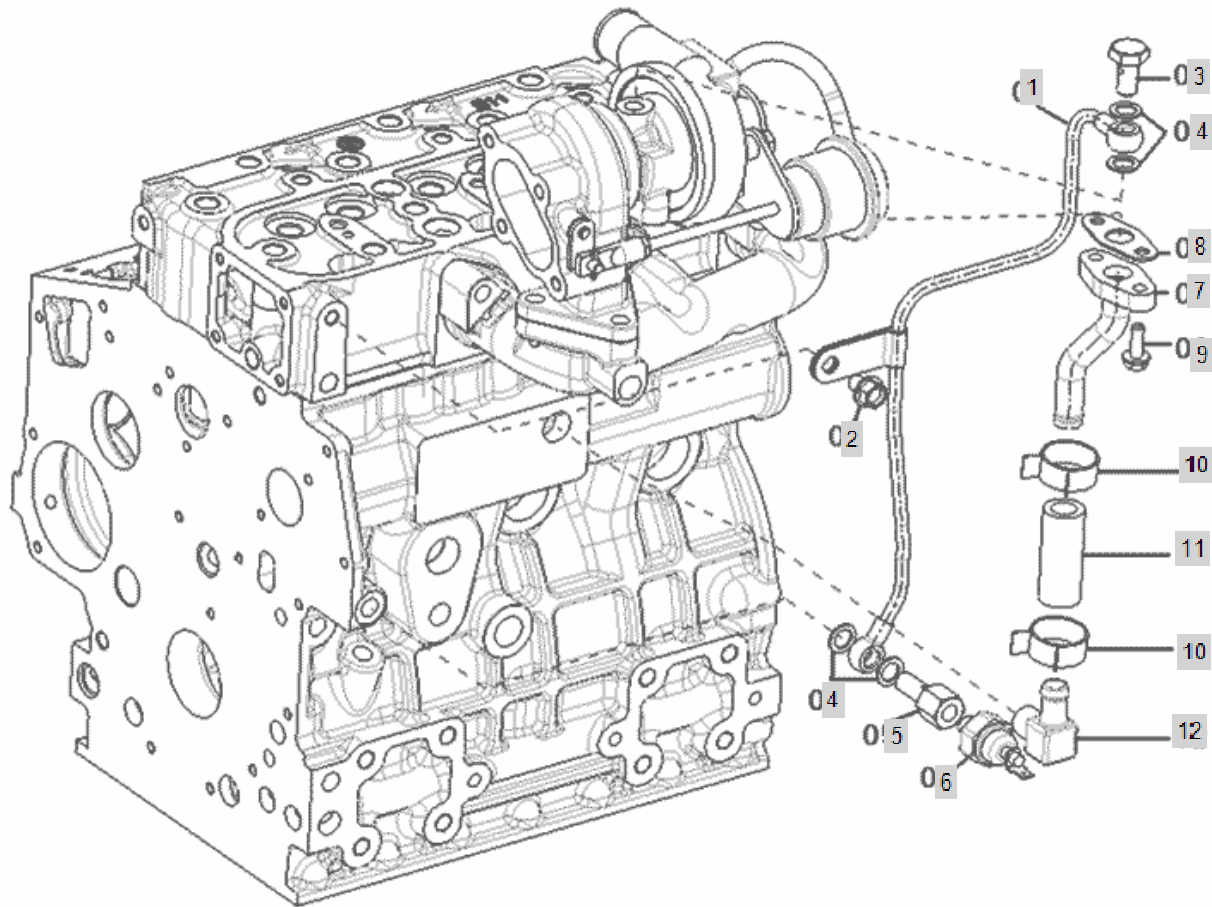


FIG A032

A1100T2(B3000H)

DATA PLATE

Year/Month

2020/02

