

KUKJE A1100N3-ETR_5 Branson Engine

Parts Catalogue

FIG A001

CYLINDER BLOCK

Year/Month

A1100N3-ETR_5

2020/02

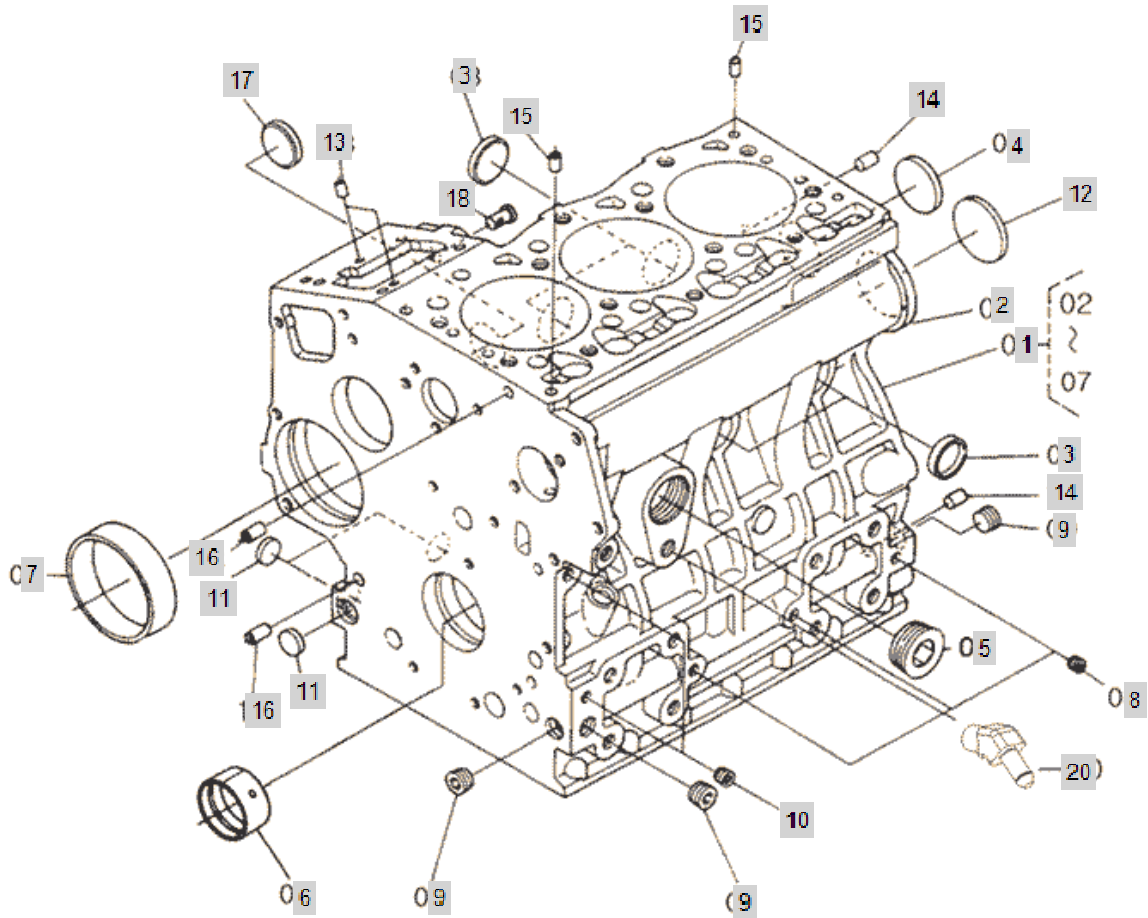


FIG A002

OIL PAN

Year/Month

A1100N3-ETR_5

2020/02

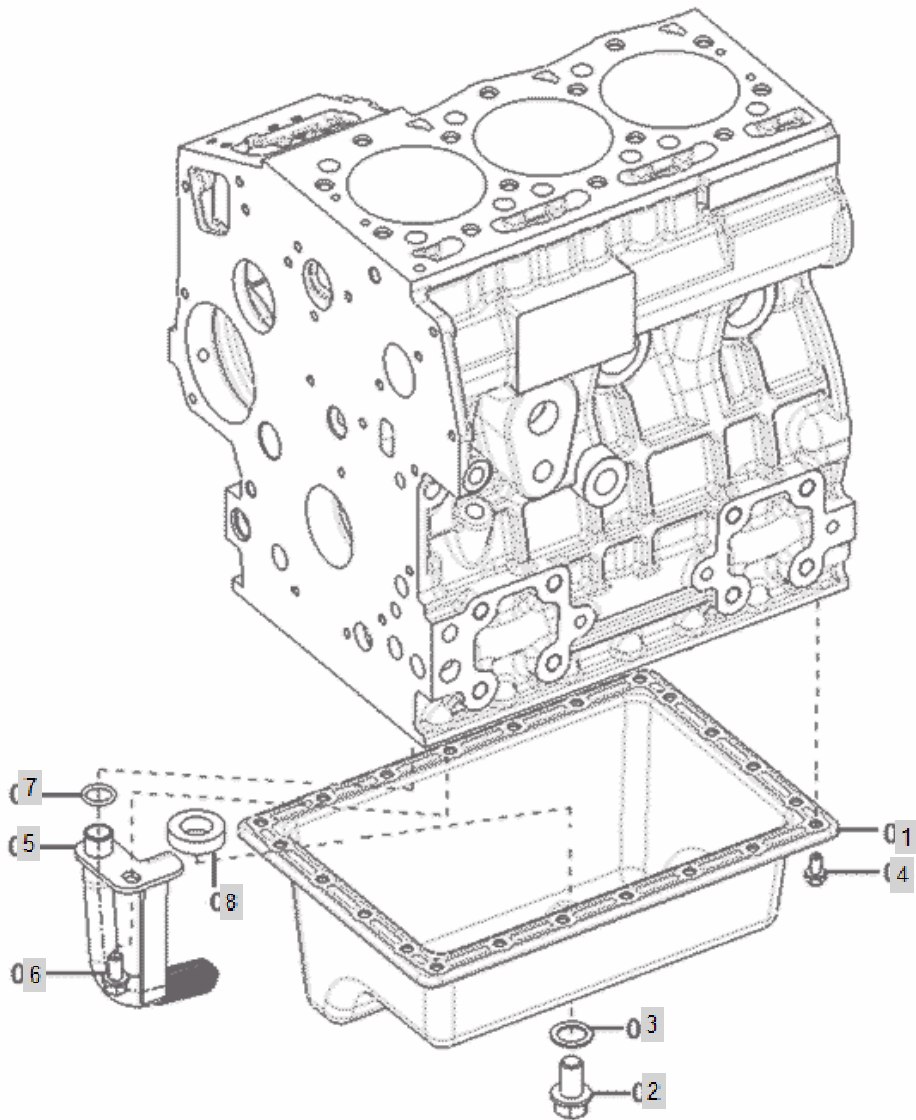


FIG A003

A1100N3-ETR_5

CYLINDER HEAD

Year/Month

2020/02

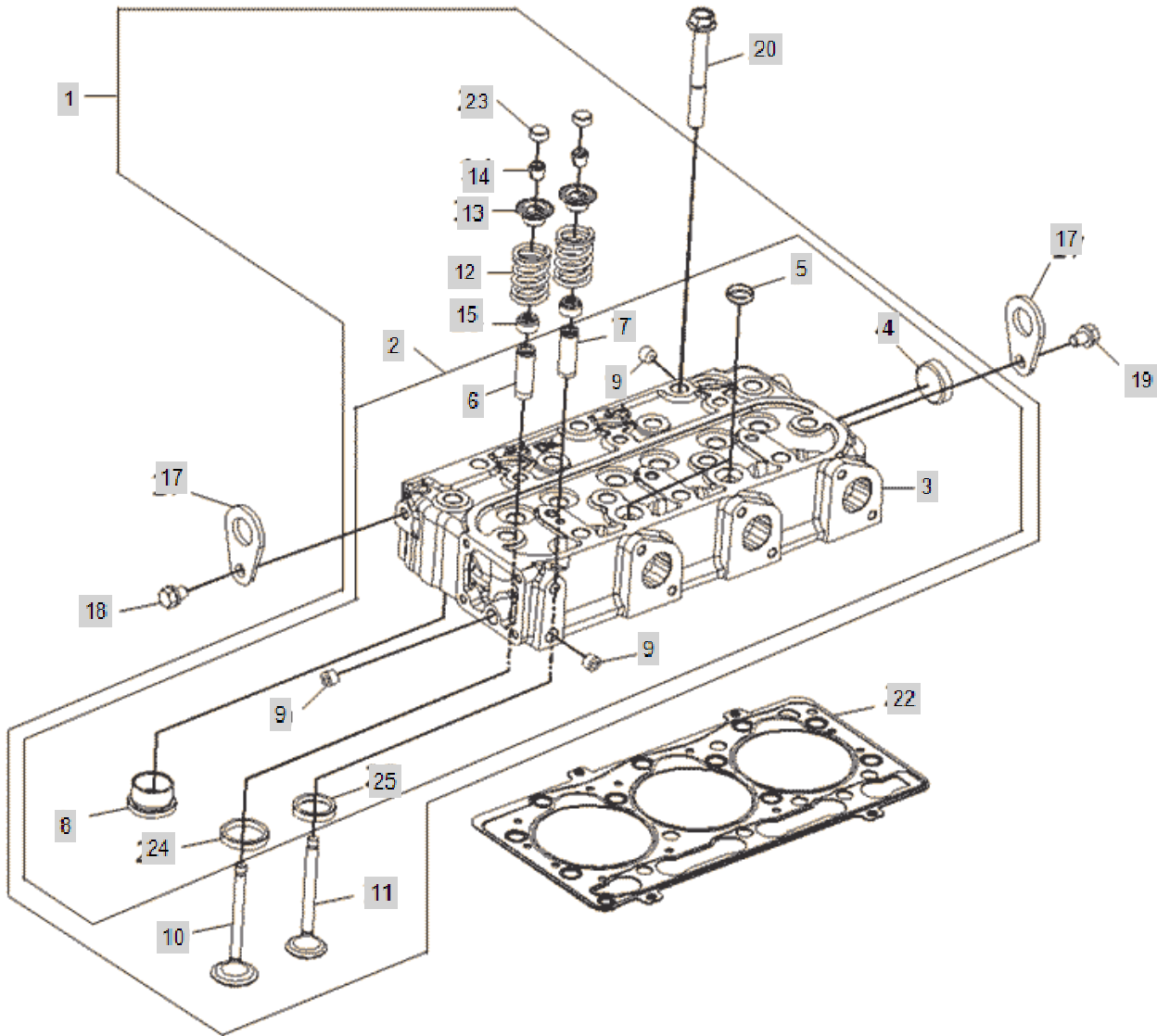


FIG A004

GEAR CASE

Year/Month

A1100N3-ETR_5

2020/02

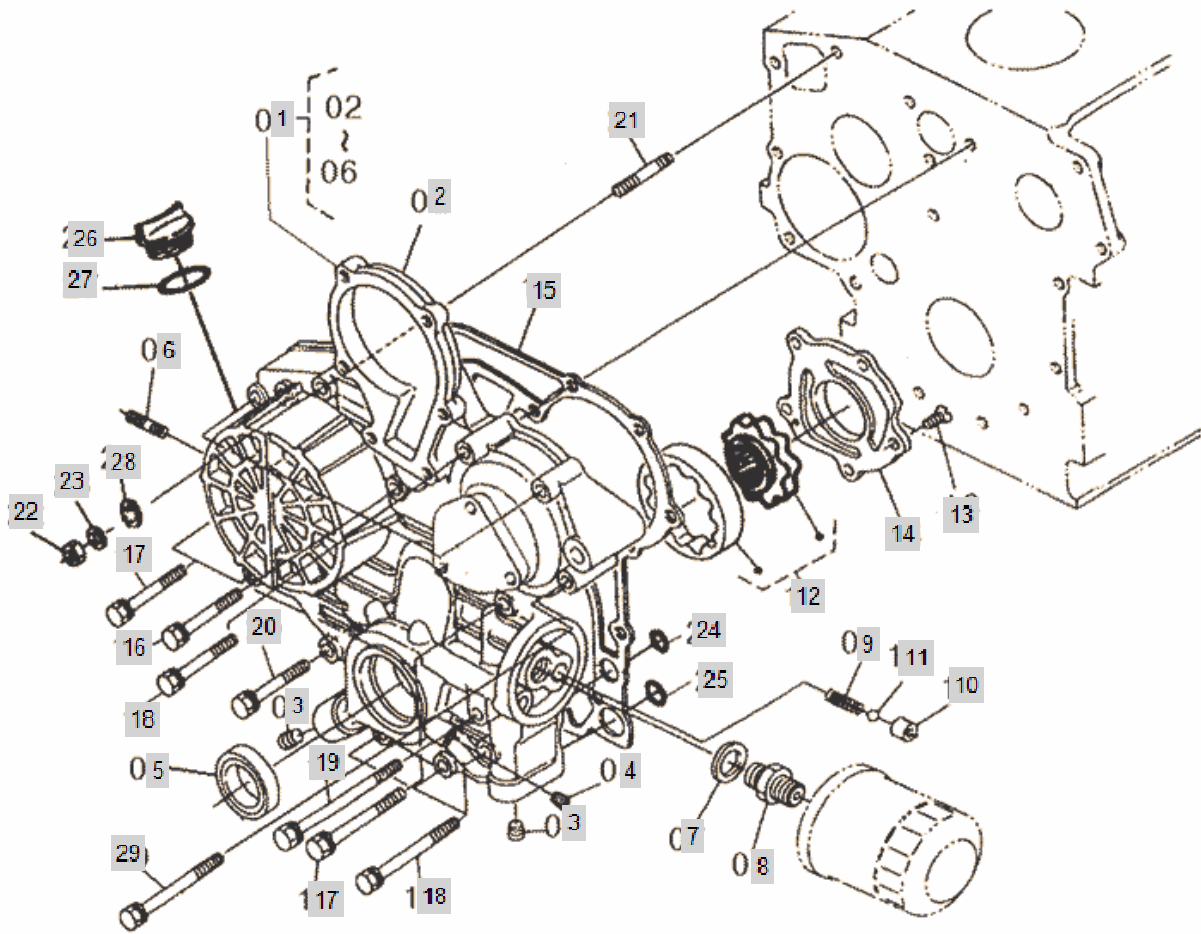


FIG A005

HEAD COVER

Year/Month

A1100N3-ETR_5

2020/02

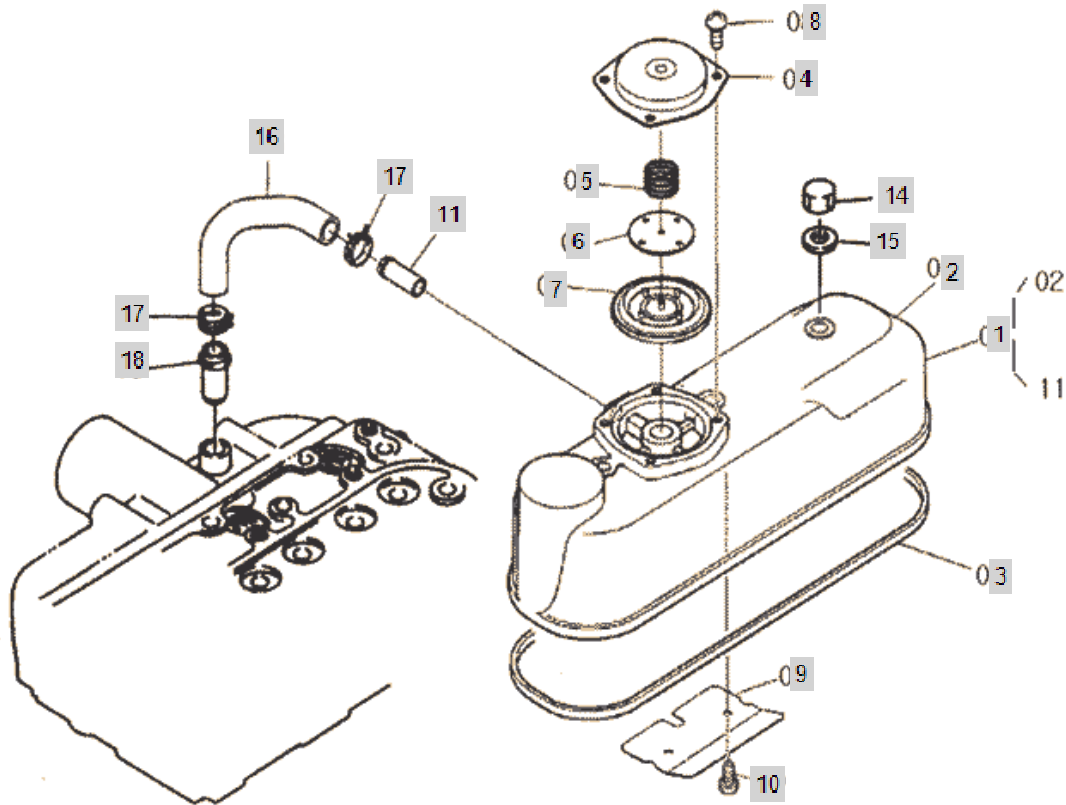


FIG A006

OIL FILTER

Year/Month

A1100N3-ETR_5

2020/02

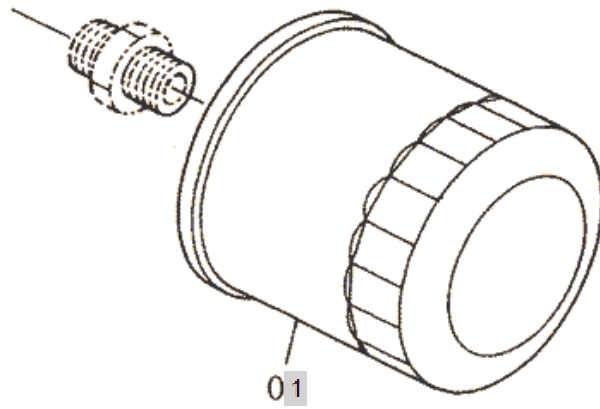


FIG A007

OIL GAUGE

Year/Month

2020/02

A1100N3-ETR_5

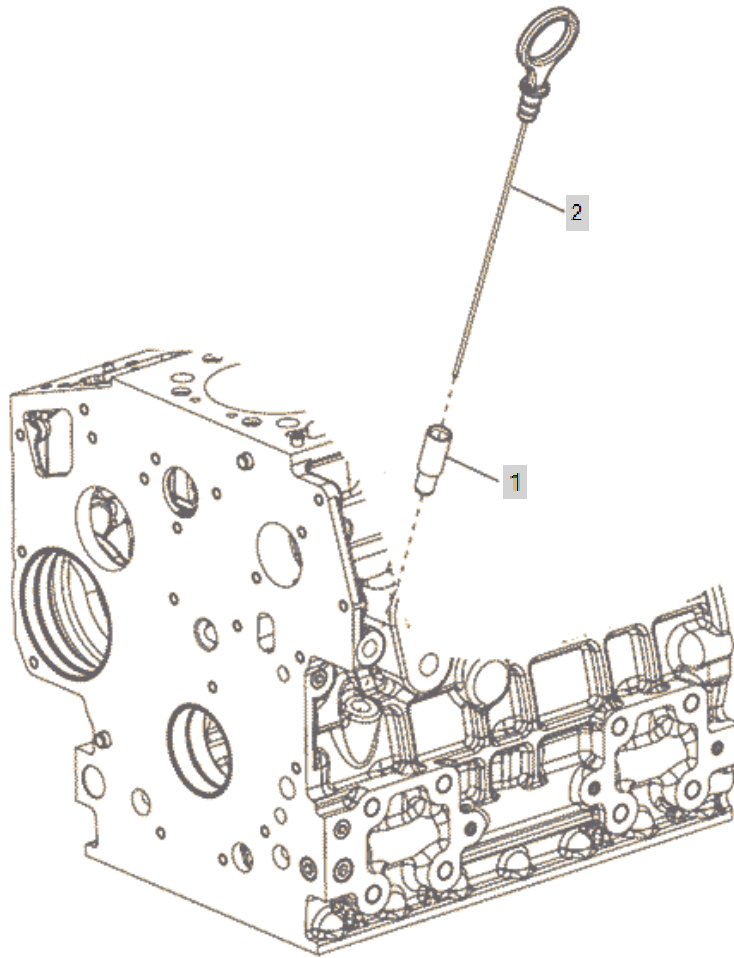


FIG A008

MAIN BEARING CASE

Year/Month

A1100N3-ETR_5

2020/02

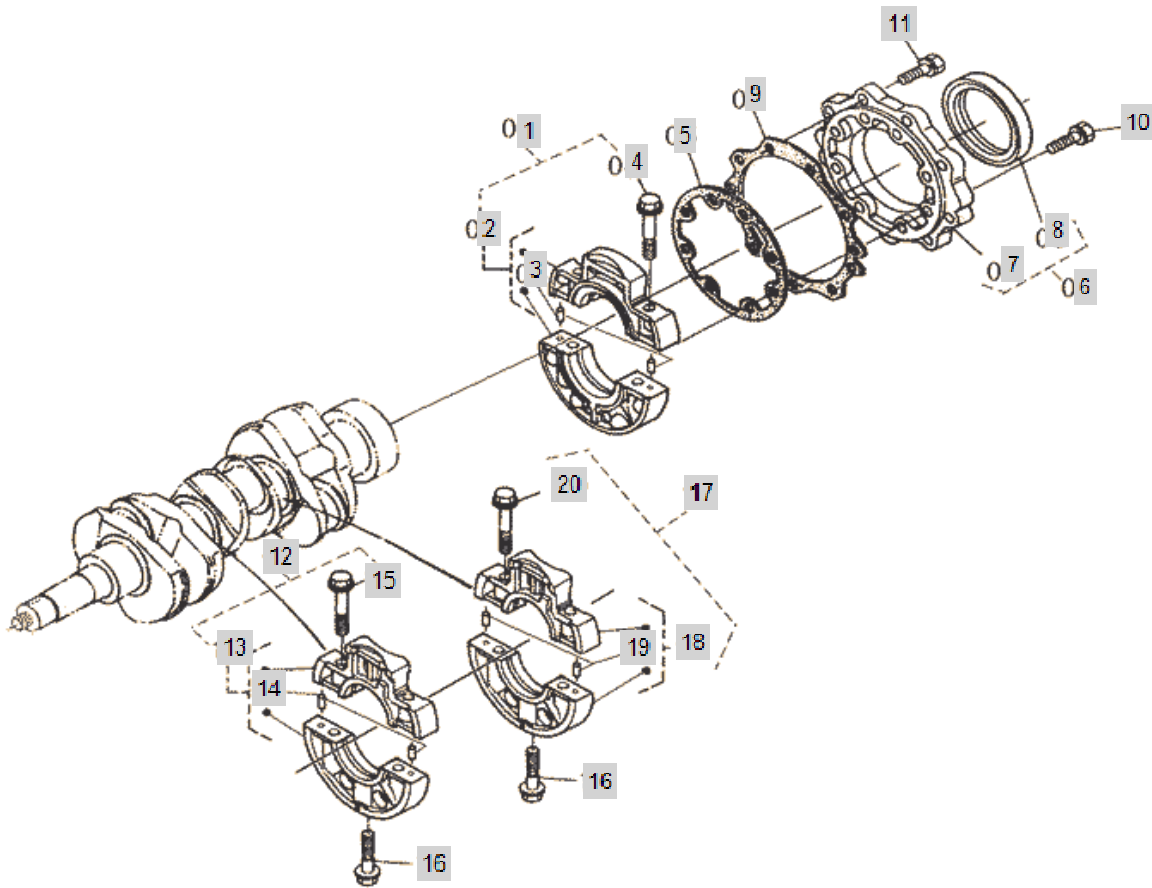


FIG A009

CAM SHAFT & IDLE SHAFT

Year/Month

2020/02

A1100N3-ETR_5

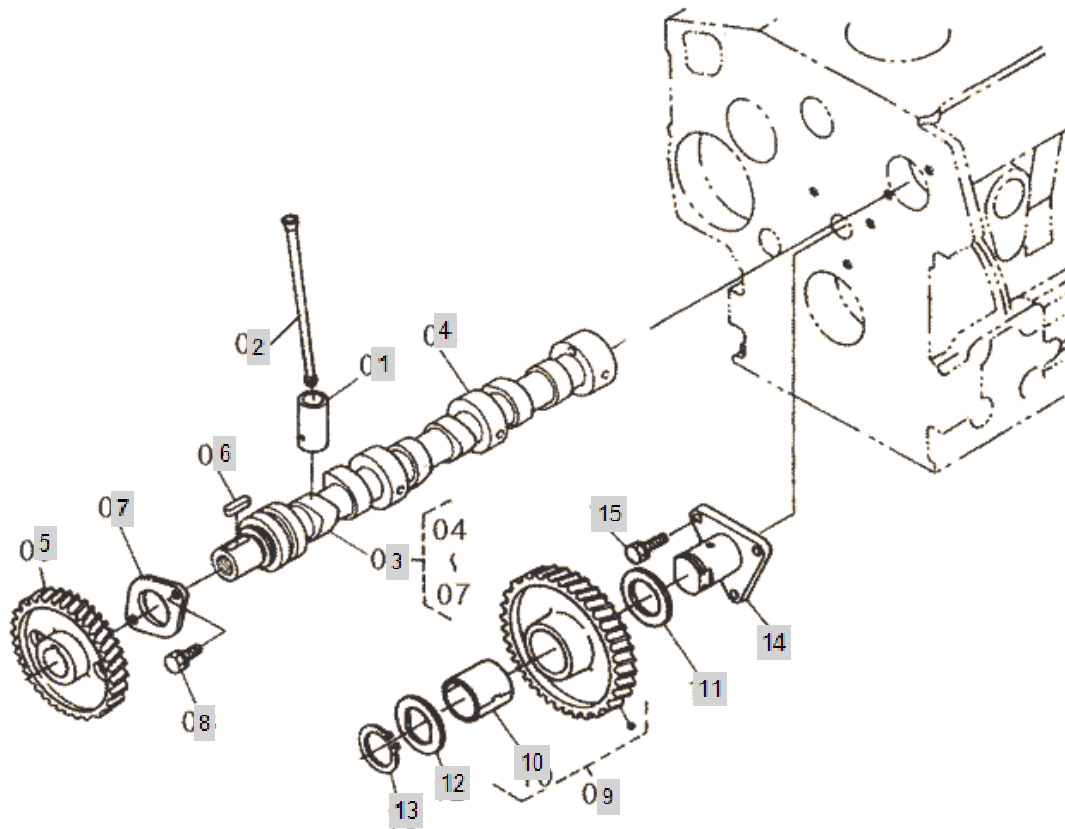


FIG A010

PISTON & CRANK SHAFT

Year/Month

A1100N3-ETR_5

2020/02

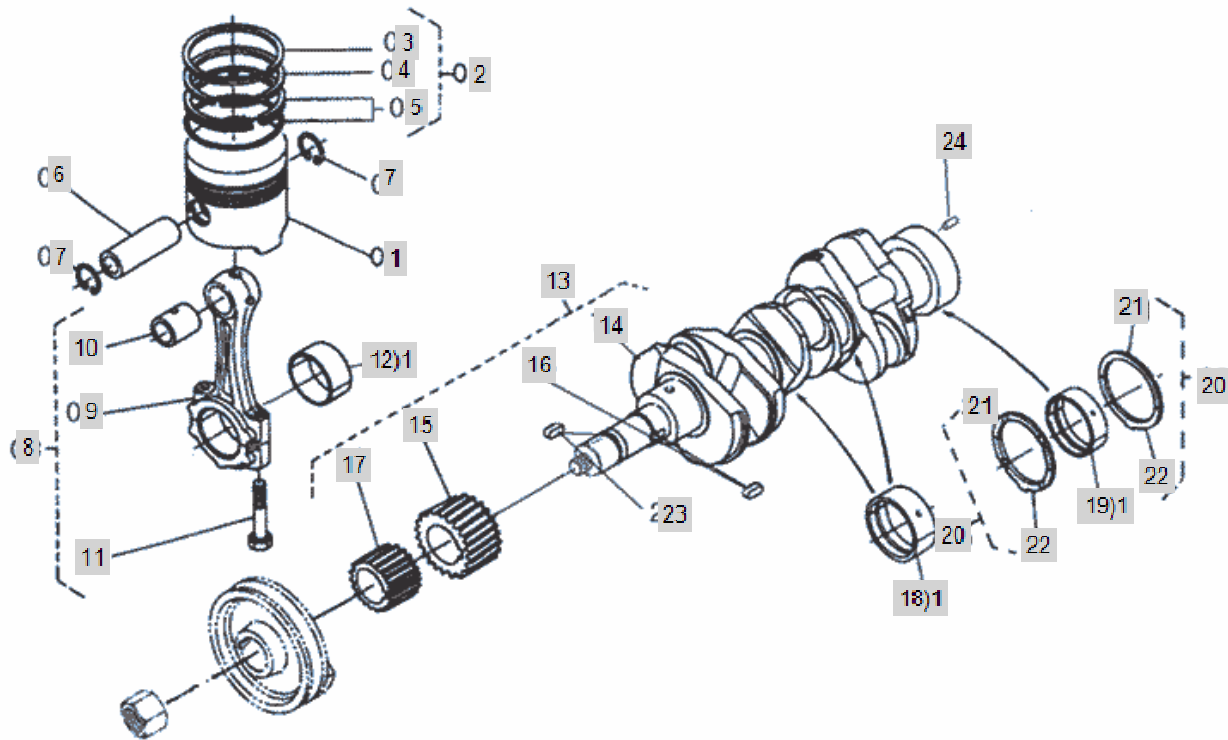


FIG A011

FLYWHELL

Year/Month

2020/02

A1100N3-ETR_5

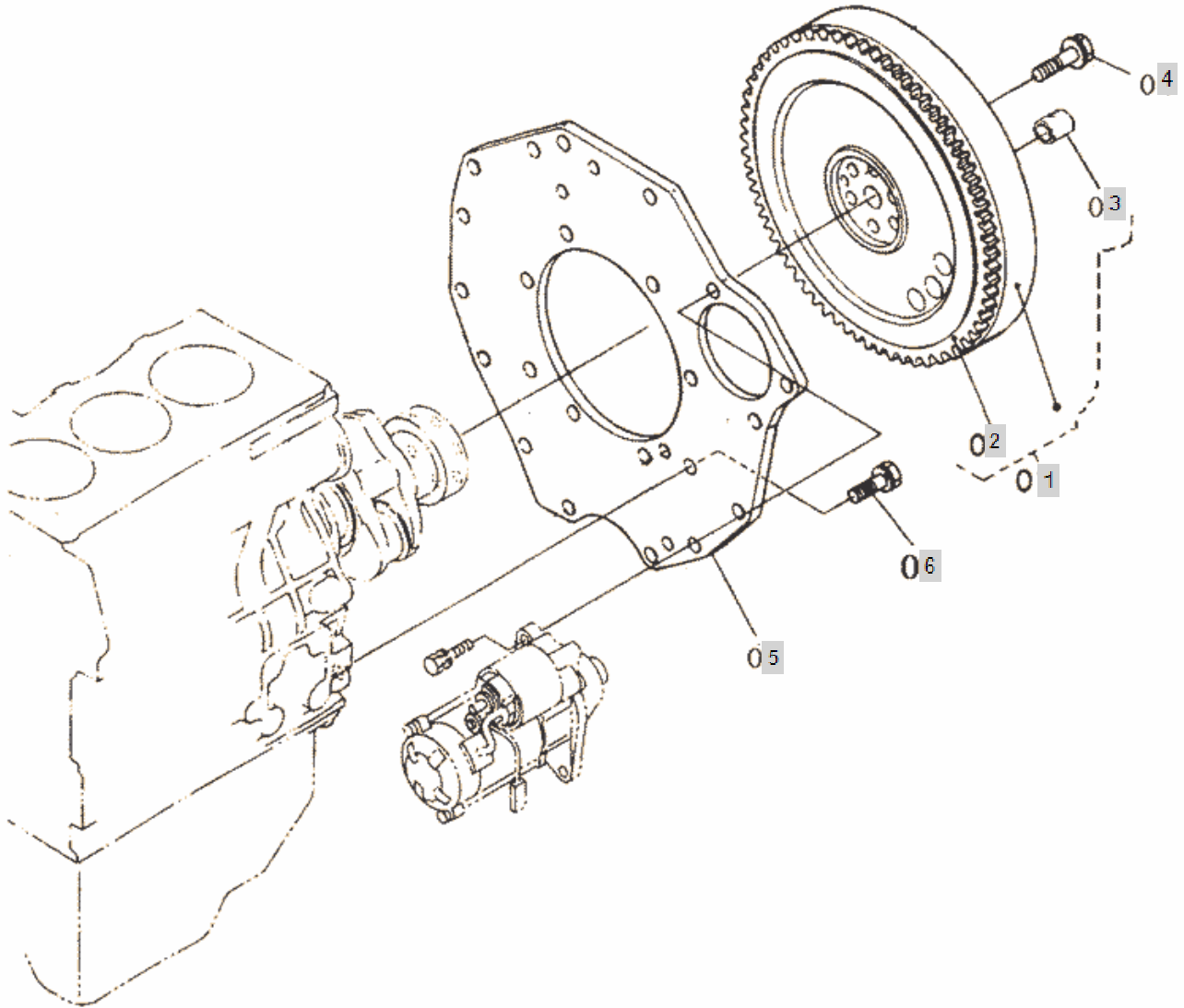


FIG A012

FUEL CAM SHAFT & GOVERNOR SHAFT

Year/Month

A1100N3-ETR_5

2020/02

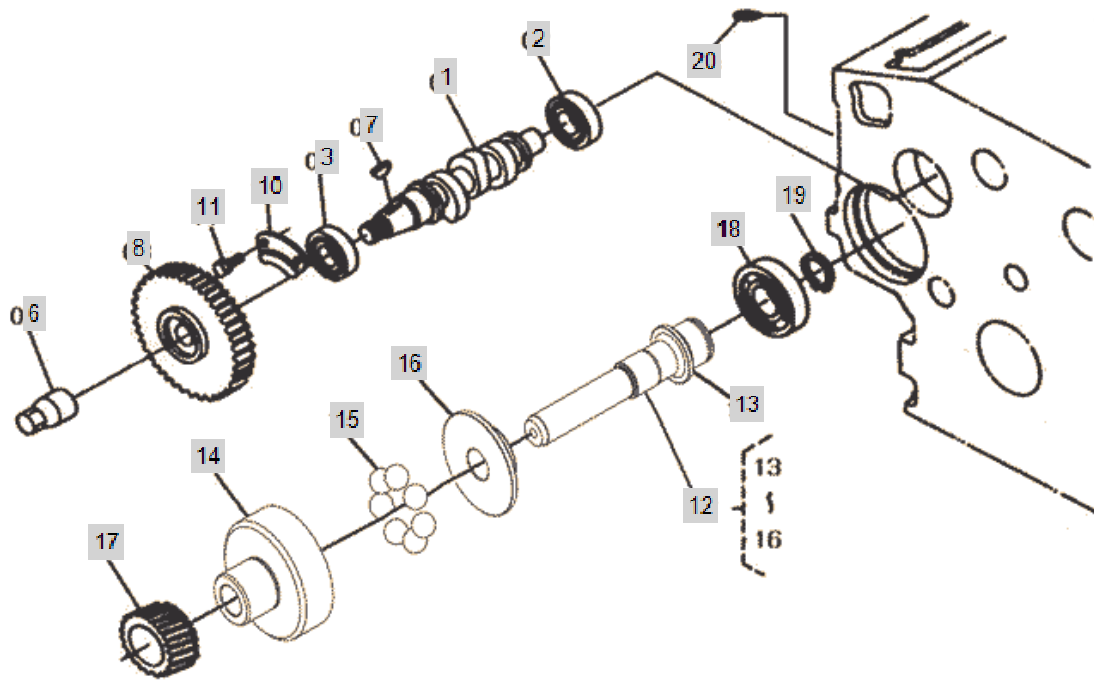


FIG A013

IDLE APPARATUS

Year/Month

2020/02

A1100N3-ETR_5

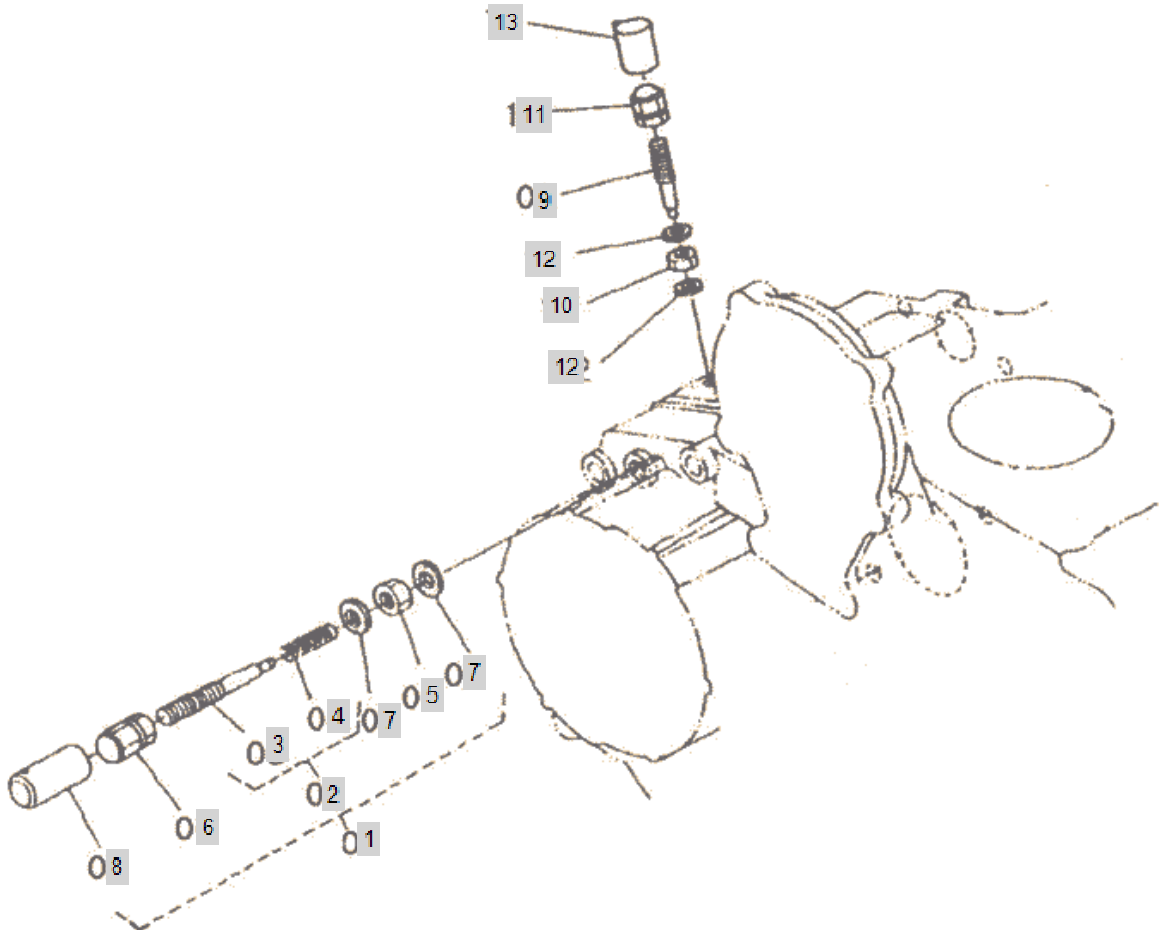


FIG A014

FUEL INJECTION PUMP

Year/Month

2020/02

A1100N3-ETR_5

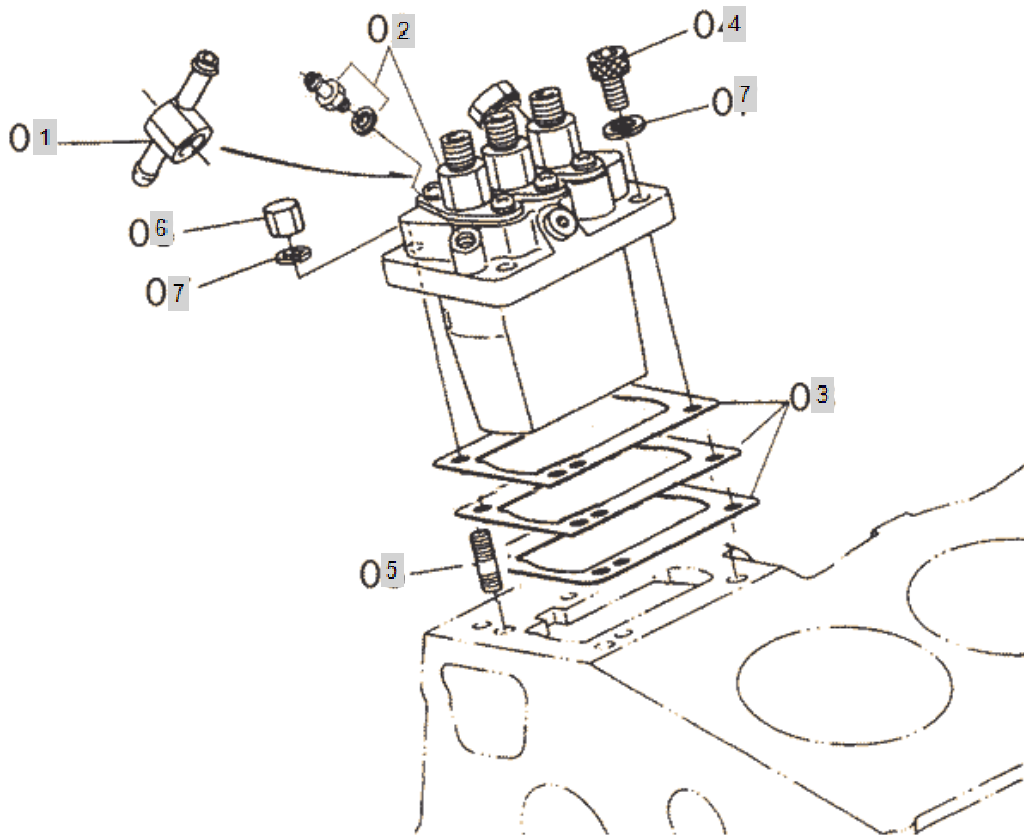


FIG A015

GOVERNOR

Year/Month

2020/02

A1100N3-ETR_5

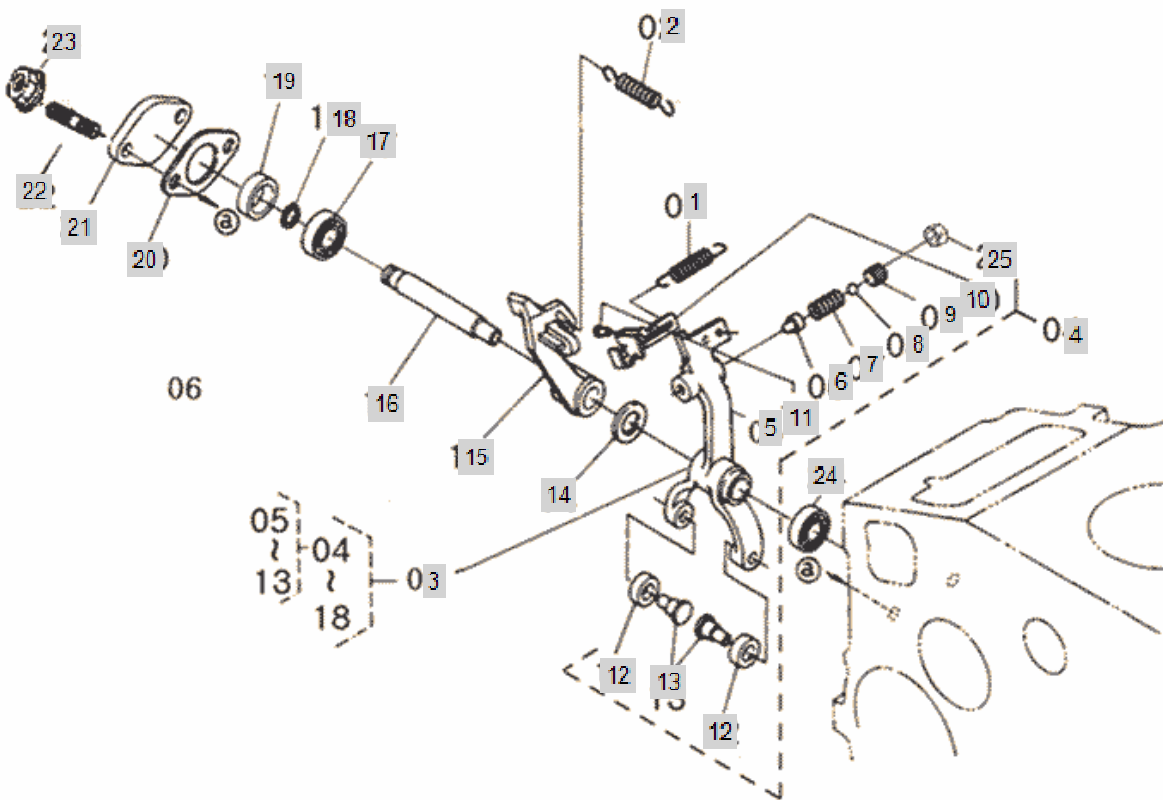


FIG A016

SPEED CONTROL PLATE

Year/Month

2020/02

A1100N3-ETR_5

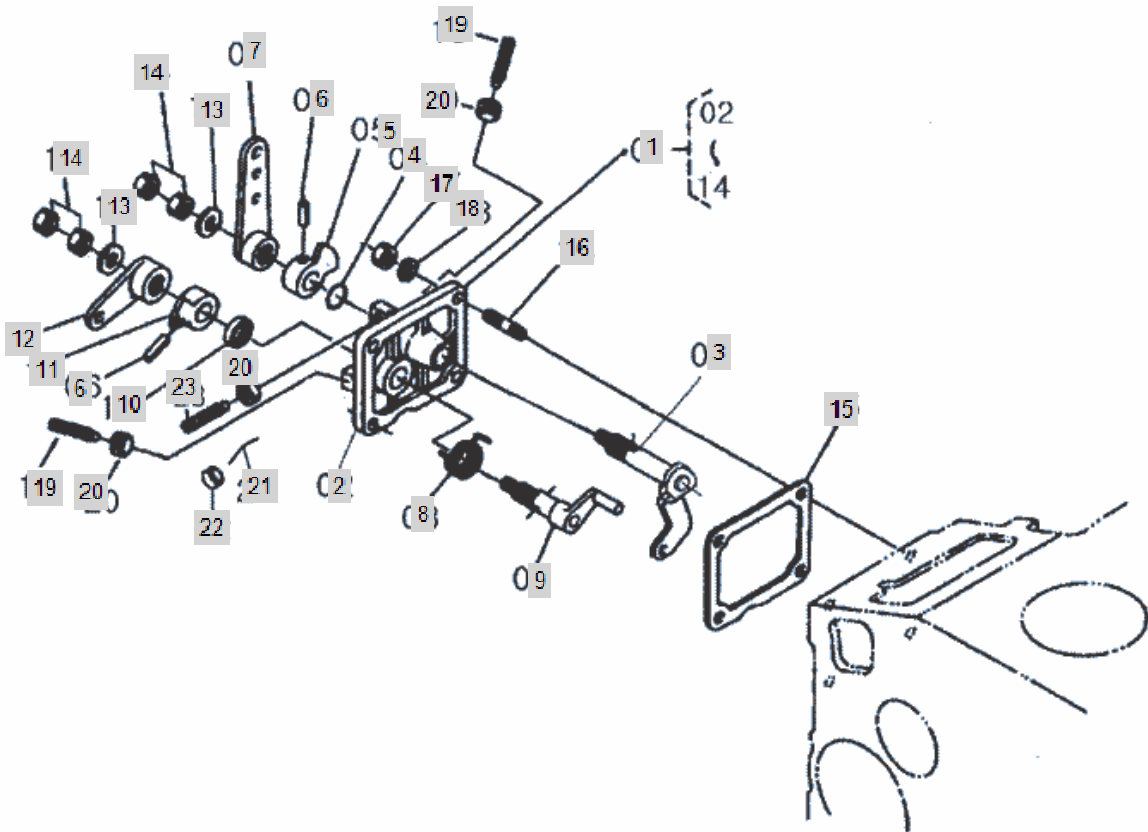


FIG A017

INJECTOR & GLOW PLUG

Year/Month

A1100N3-ETR_5

2020/02

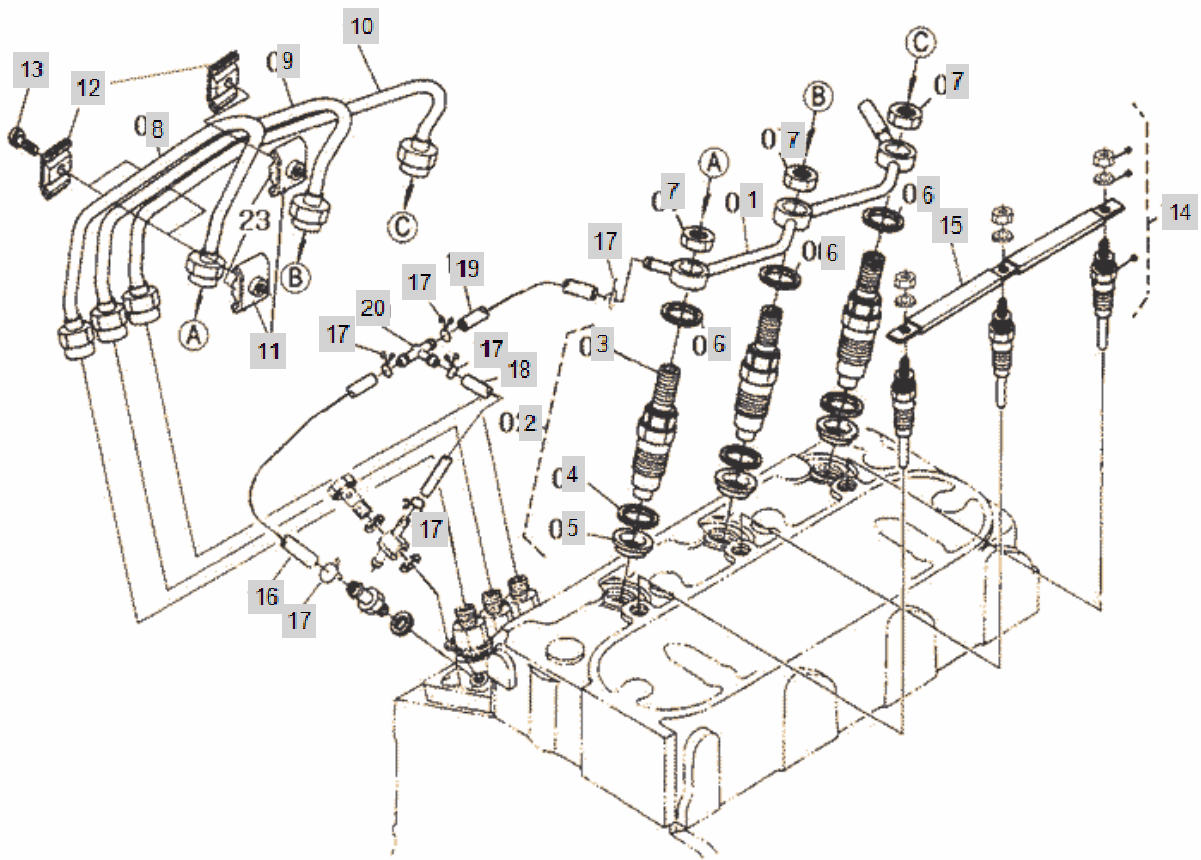


FIG A018

FEED PUMP

Year/Month

2020/02

A1100N3-ETR_5

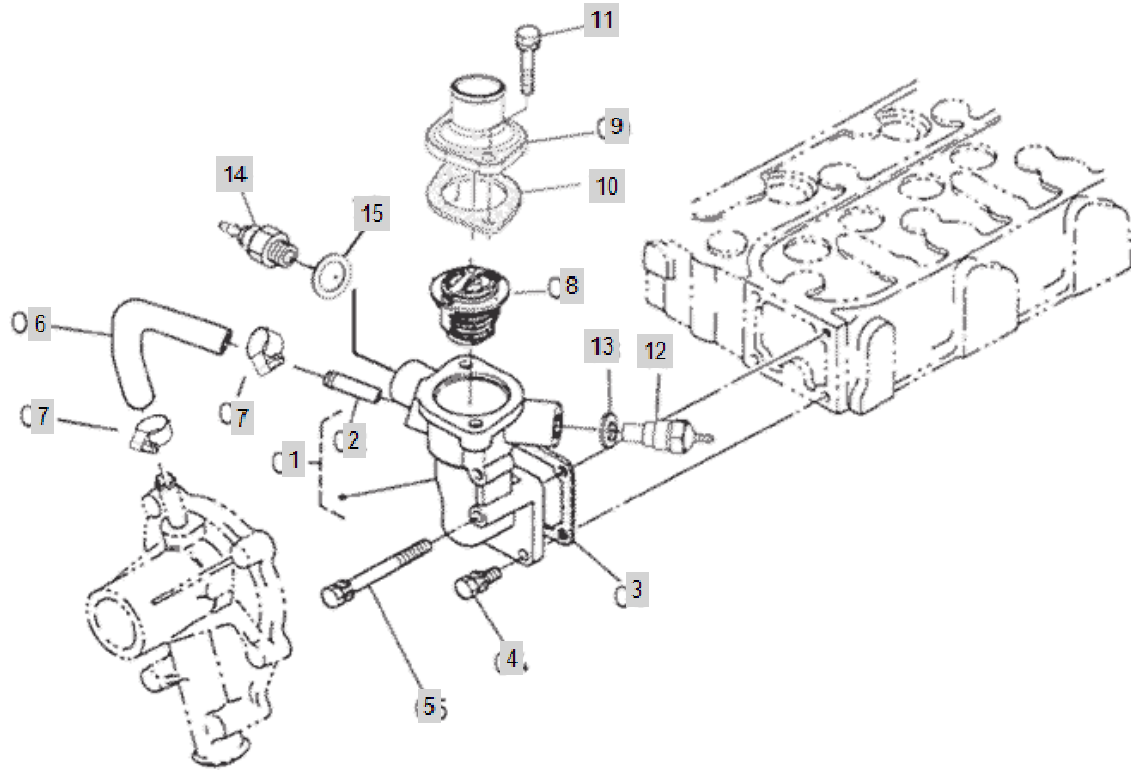


FIG A020

WATER PUMP

Year/Month

2020/02

A1100N3-ETR_5

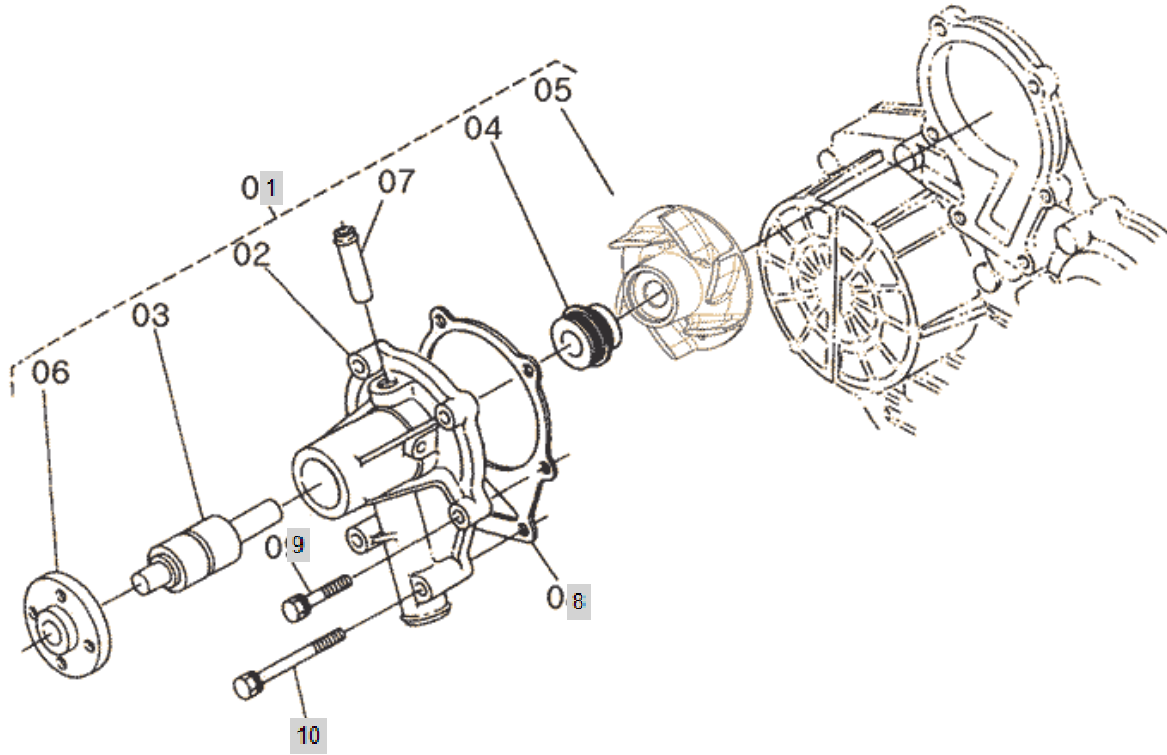


FIG A021

ROCKER ARM

Year/Month

2020/02

A1100N3-ETR_5

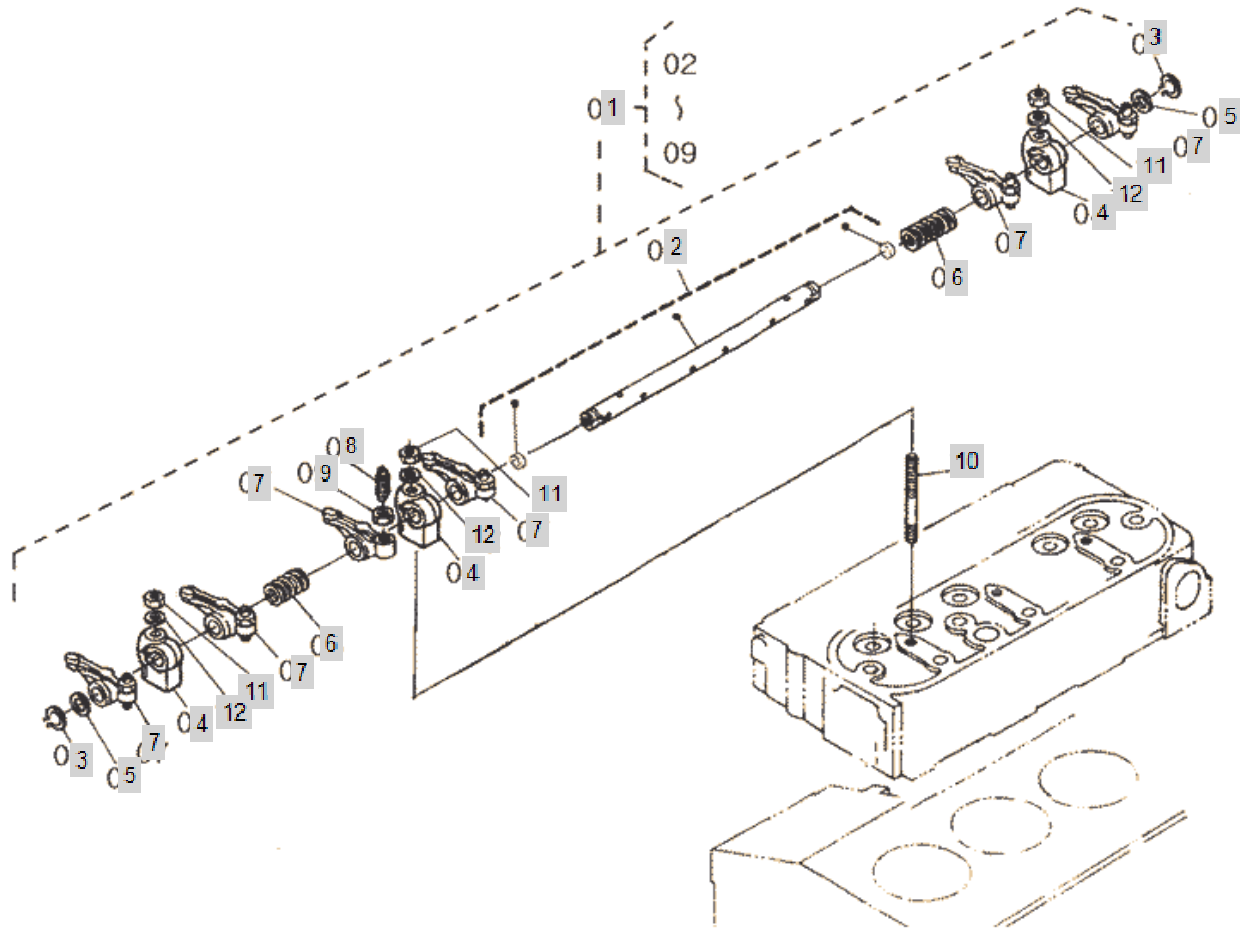


FIG A022

INTAKE MANIFOLD

Year/Month

A1100N3-ETR_5

2020/02

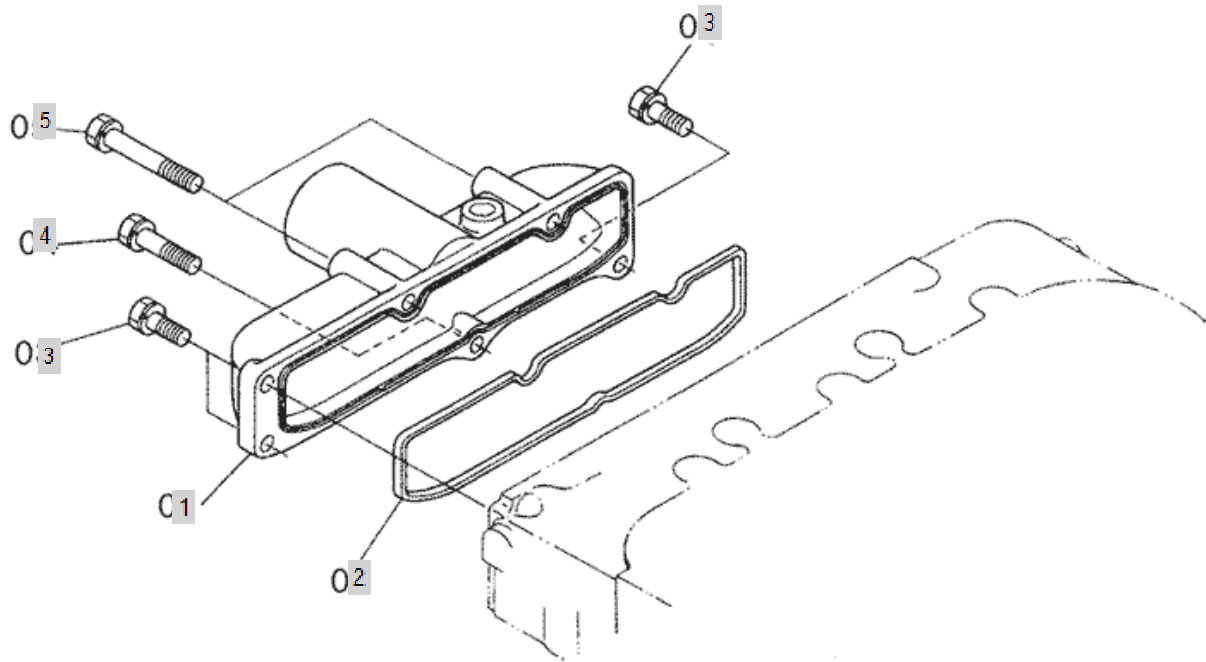


FIG A023

EXHAUST MANIFOLD

Year/Month

2020/02

A1100N3-ETR_5

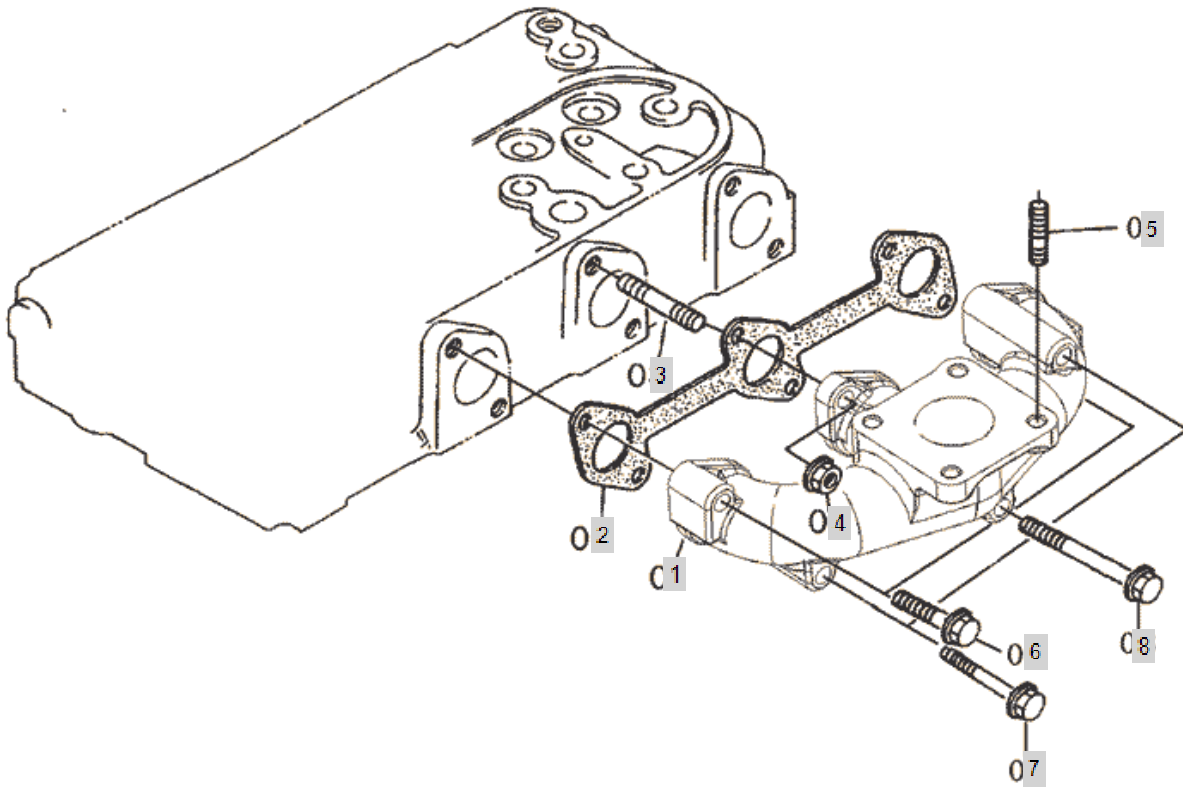


FIG A024

Year/Month

A1100N3-ETR_5

STOP SOLENOID

2020/02

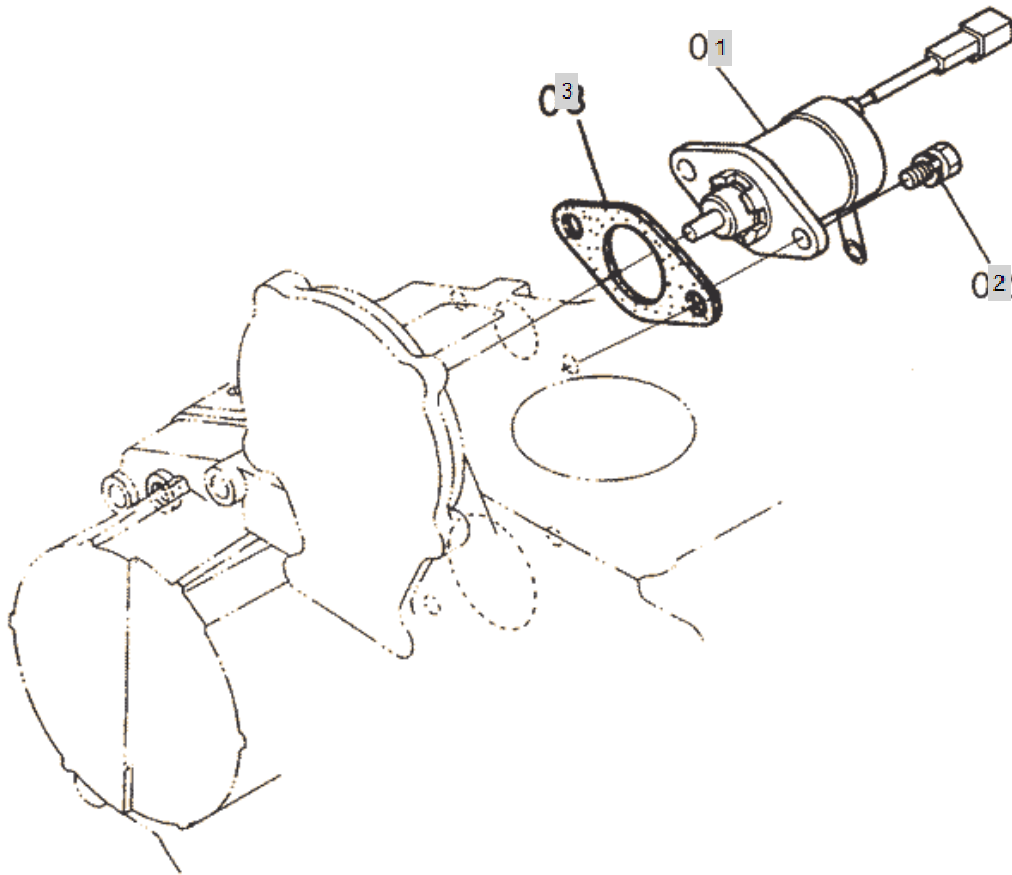


FIG A025

ALTERNATOR & PULLEY

Year/Month

2020/02

A1100N3-ETR_5

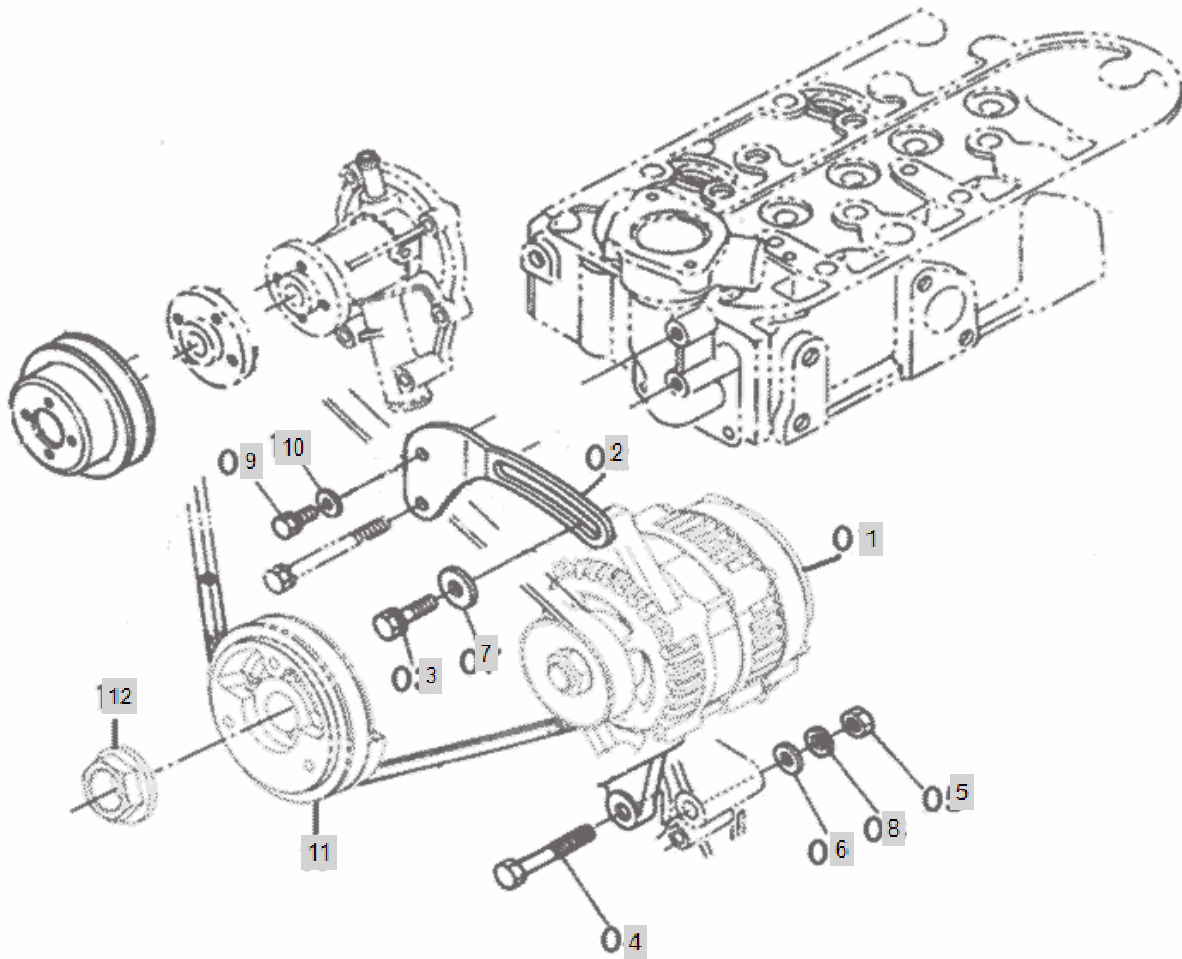


FIG A026

STARTING MOTOR

Year/Month

A1100N3-ETR_5

2020/02

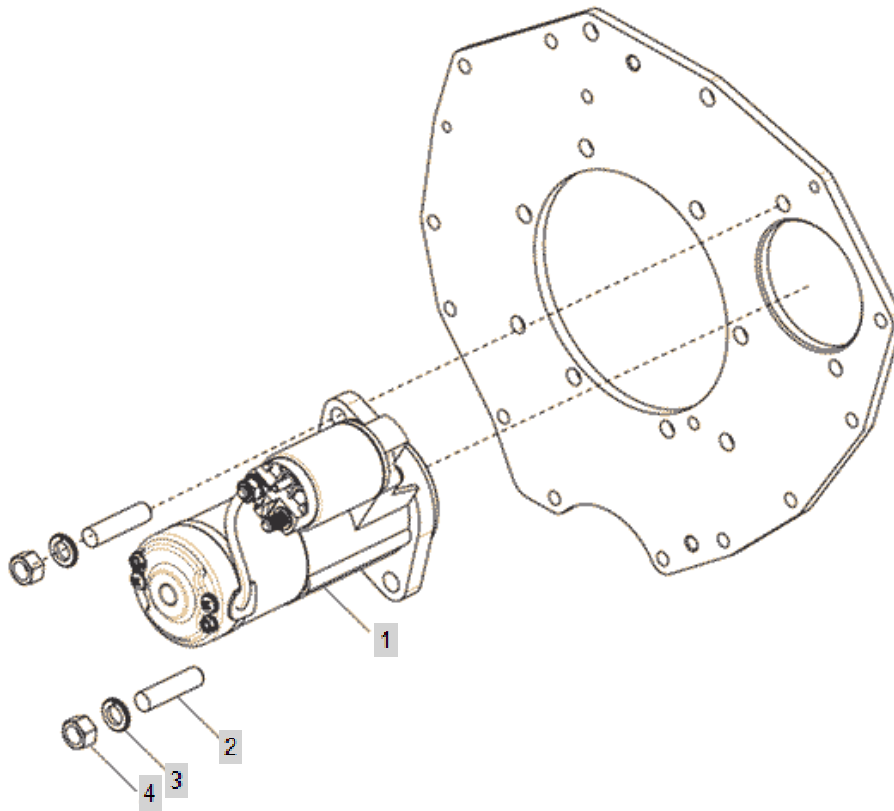


FIG A027

EXHAUST SILENCER

Year/Month

2020/02

A1100N3-ETR_5

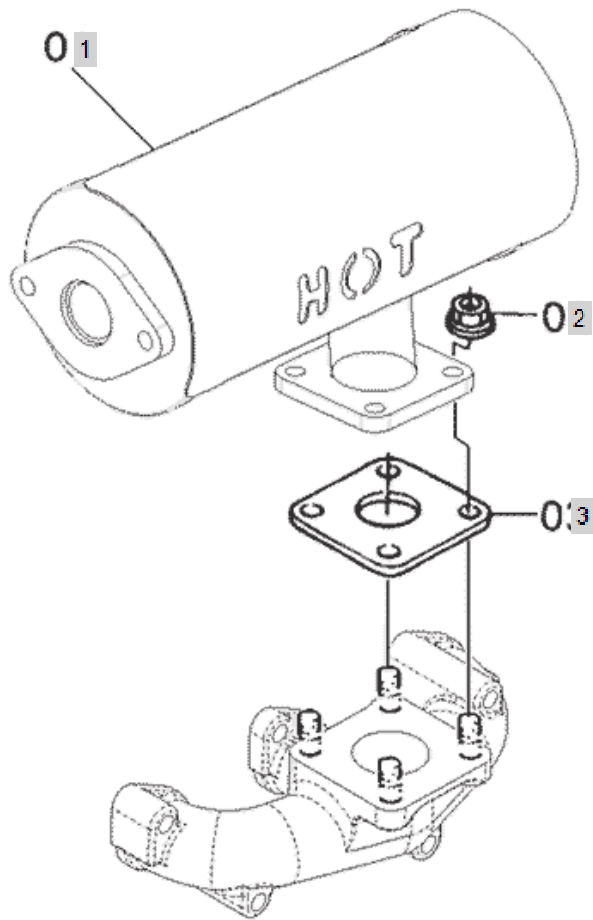


FIG A029

COOLING PAN

Year/Month

2020/02

A1100N3-ETR_5

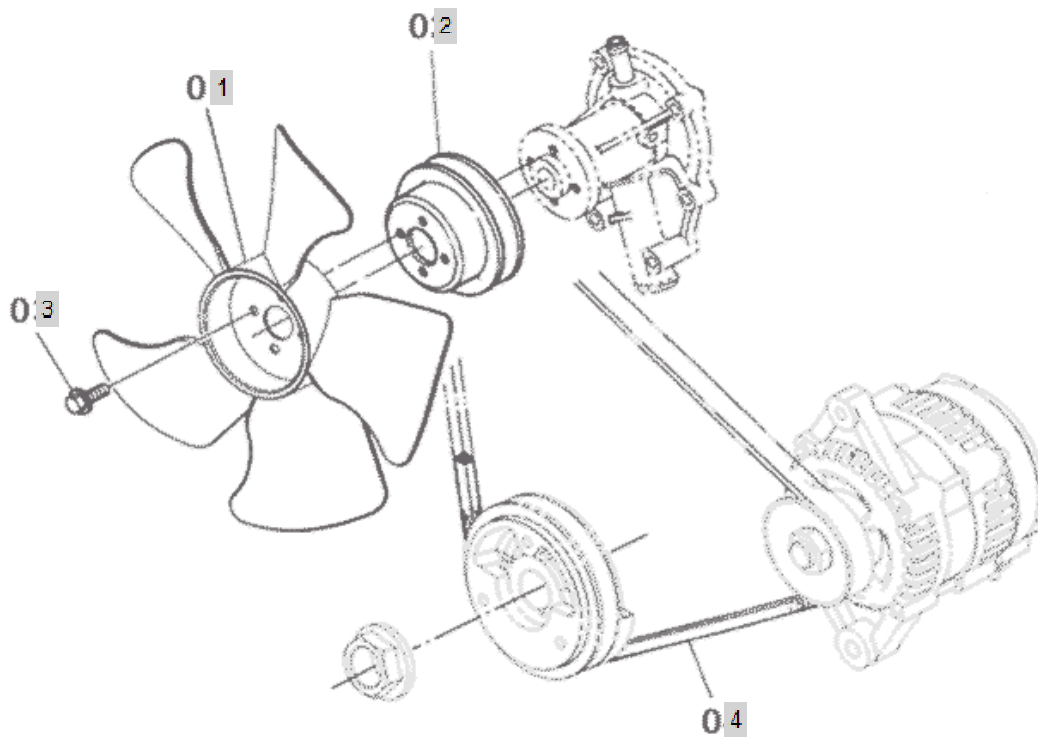


FIG A030

OIL PRESSURE SWITCH

Year/Month

2020/02

A1100N3-ETR_5

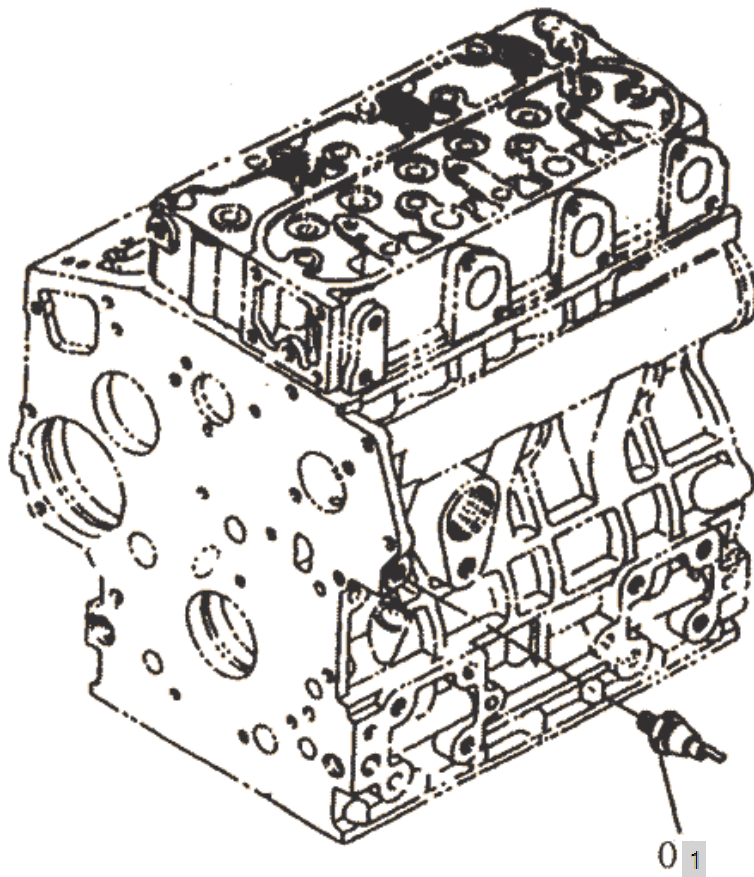


FIG A032

DATA PLATE

Year/Month

A1100N3-ETR_5

2020/02

